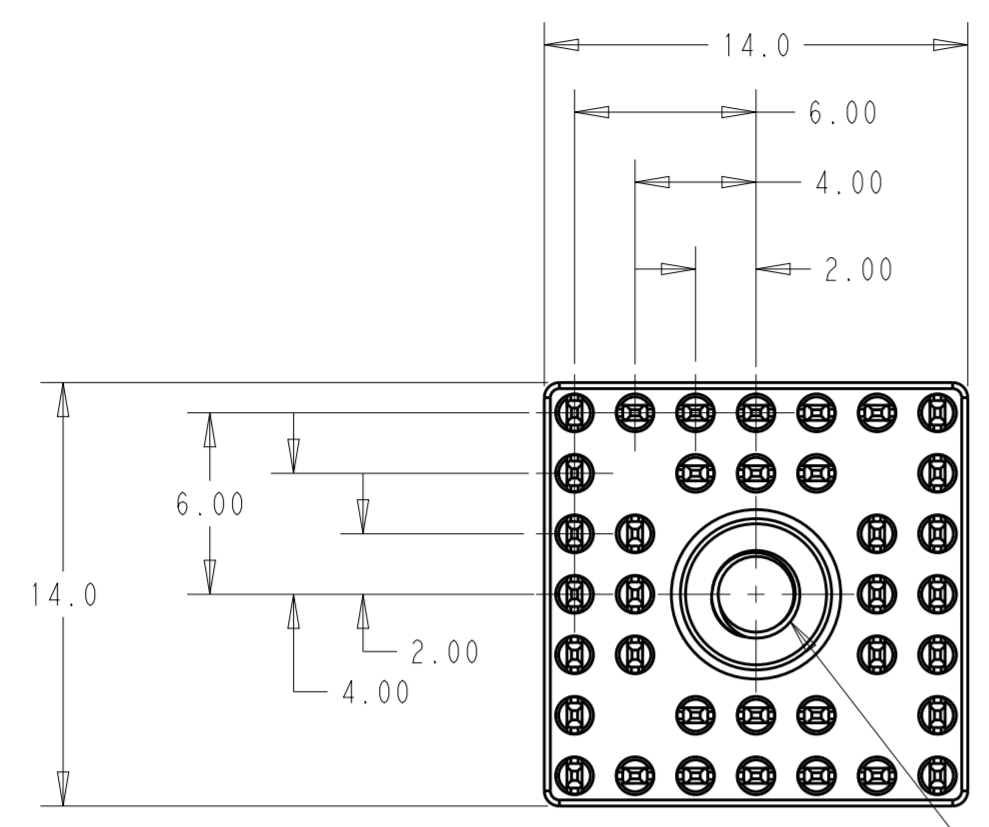
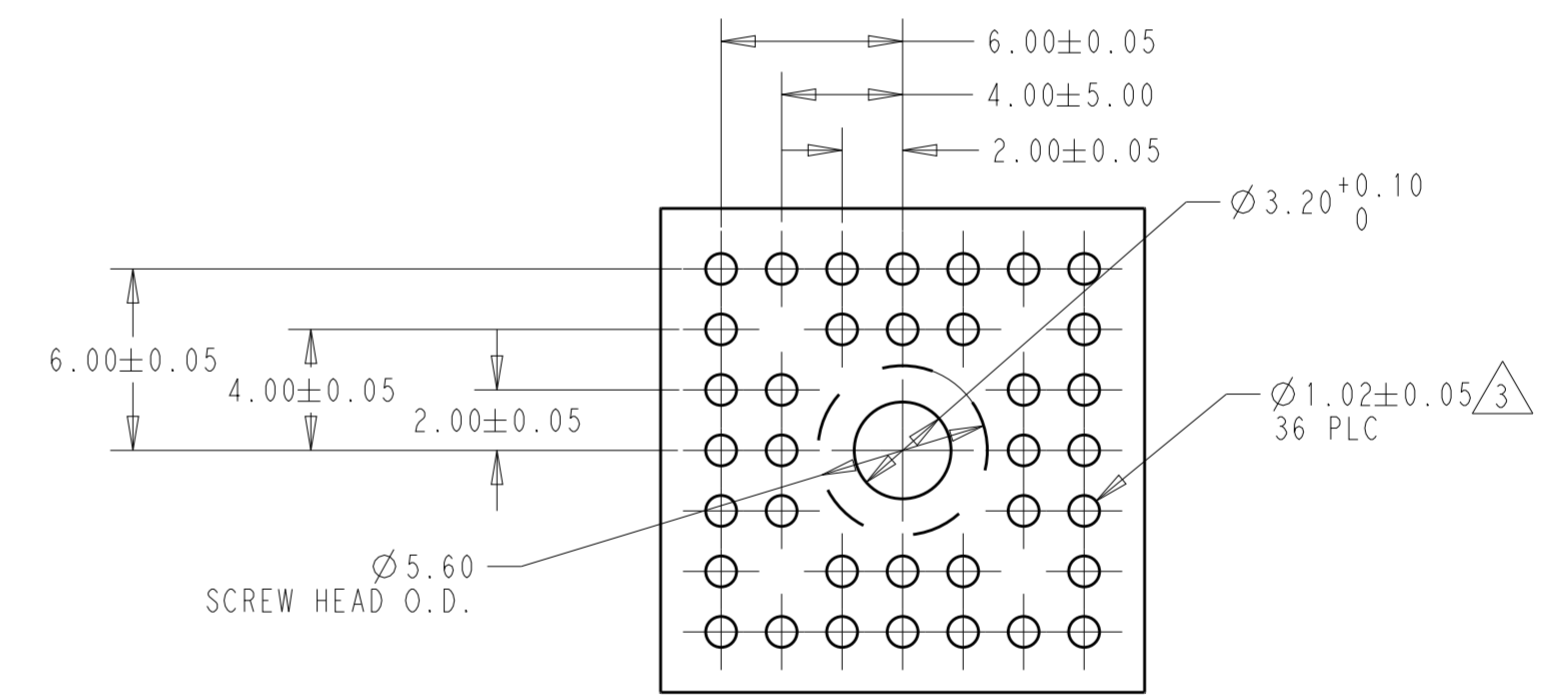
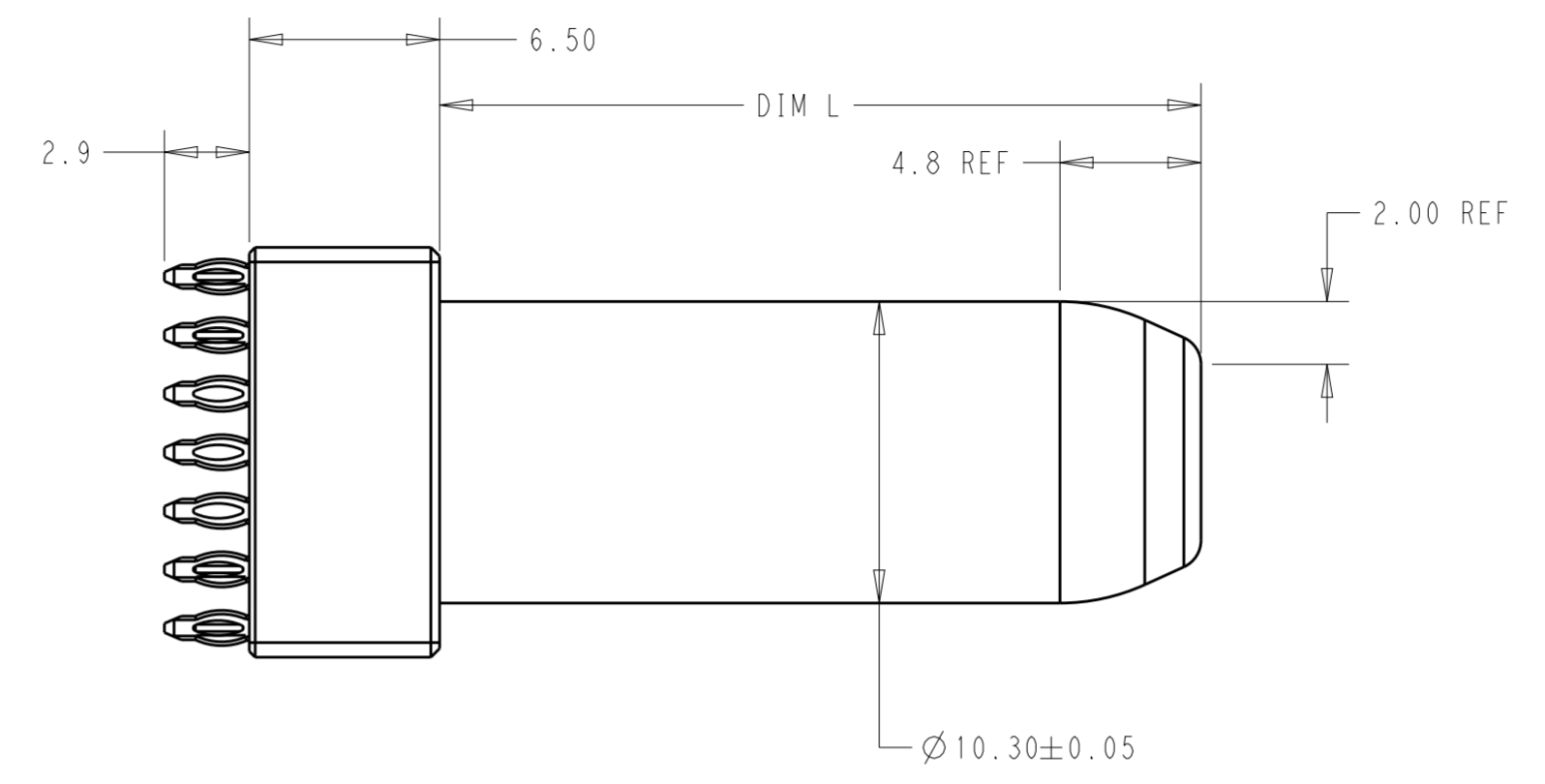


P	LTR	DESCRIPTION	DATE	DWN	APVD
A		RELEASE	13OCT2020	AL	SZ



M3*0.5-6H
 THREAD DEPTH 6.0
 OPTIONAL PLATING



RECOMMENDED PCB LAYOUT
 PCB THICKNESS: 2mm MIN

NOTES:

- MATERIAL: COPPER ALLOY FOR ROUND SOCKET, SQUARE BODY, AND COMPLIANT PINS.
- FINISH:
 ROUND SOCKET: 150µIN MIN SILVER OVER 50µIN MIN NICKEL PLATING
 SQUARE BODY: 150µIN MIN NICKEL PLATING
 COMPLIANT PINS: 80µIN MIN TIN OVER 50µIN NICKEL PLATING
- RECOMMENDED PCB HOLE SPEC:
 DRILLED HOLE: Ø1.15±0.025mm
 FINISHED HOLE: Ø1.02±0.05mm
 COPPER PLATING: 0.03mm MIN PER SURFACE
 TIN PLATING: 0.008mm MIN PER SURFACE
- ELECTRICAL PERFORMANCE: 350A CURRENT
- INSTALLATION: APPROX. 200Lbf TO PRESS ASSEMBLY ONTO BOARD
- RECOMMENDED TORQUE FOR M3 SCREW: 5Kgf*cm

19.0	2358714-3
46.0	2358714-2
26.0	2358714-1
DIM L	PART NUMBER

THIS DRAWING IS A CONTROLLED DOCUMENT.		DWN ANDY LI 04JUL2019	TE Connectivity	
DIMENSIONS: mm		CHK -		
TOLERANCES UNLESS OTHERWISE SPECIFIED:		APVD SUNY ZHAO 04JUL2019	NAME PIN SIZE 10.3mm, PIN PRESS FIT, ICCON BLOCK	
0 PLC ± 1 PLC ±0.3 2 PLC ±0.2 3 PLC ±0.1 4 PLC ±0.0001		PRODUCT SPEC 108-128111	SIZE A2	
ANGLES ±		APPLICATION SPEC 114-128112	CAGE CODE 00779	DRAWING NO C-2358714
FINISH		WEIGHT -	RESTRICTED TO -	
MATERIAL -		CUSTOMER DRAWING		SCALE 4:1 SHEET 1 OF 1 REV A