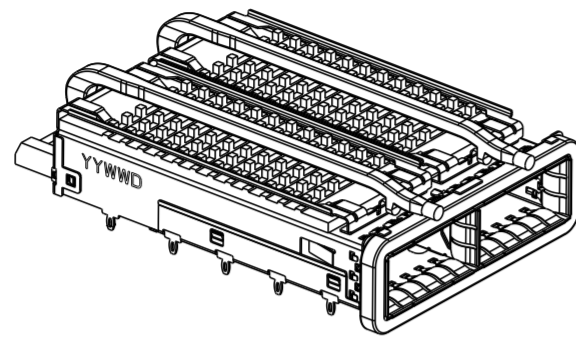


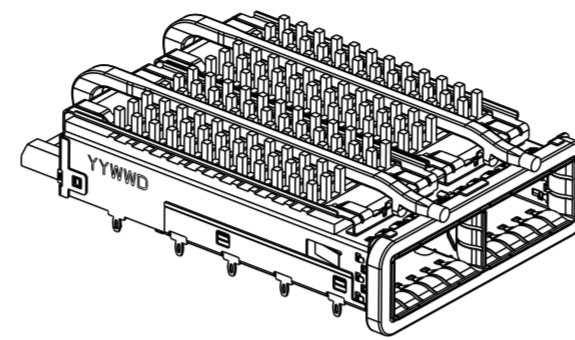
THIS DRAWING IS UNPUBLISHED. RELEASED FOR PUBLICATION 20
 © COPYRIGHT 20 BY - ALL RIGHTS RESERVED.

LOC		DIST		REVISIONS			
P	LTR	DESCRIPTION		DATE	DWN	APVD	
rev_sym_1	16EW_8HBEI11			rev.date	rev.dwn	rev.appr	
rev_sym_2	rev_desc_2			rev.date	rev.dwn	rev.appr	
rev_sym_3	rev_desc_3			rev.date	rev.dwn	rev.appr	
rev_sym_4	rev_desc_4			rev.date	rev.dwn	rev.appr	

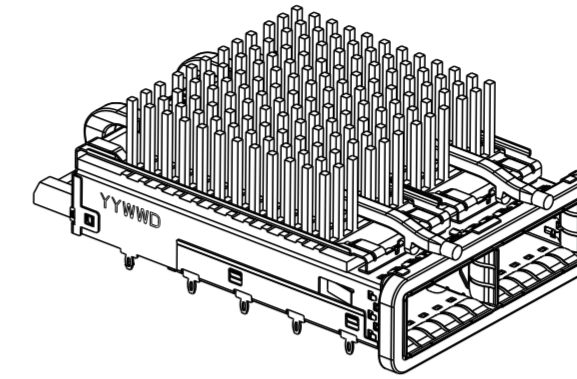
HEAT SINK OPTION



PCI HEAT SINK HEIGHT
SCALE 1:1

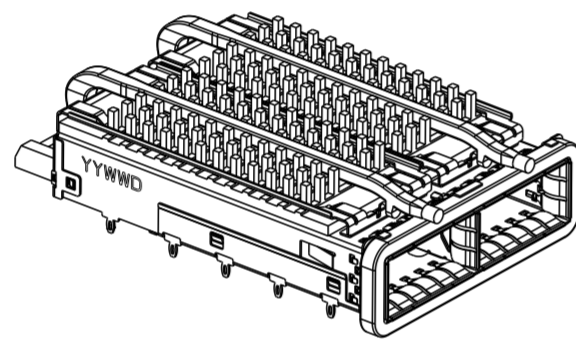


SAN HEAT SINK HEIGHT
SCALE 1:1

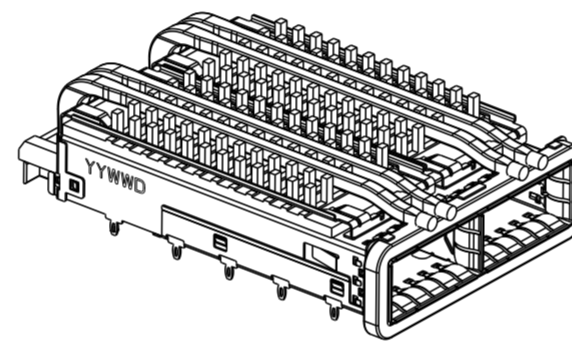


NETWORKING HEAT SINK HEIGHT
SCALE 1:1

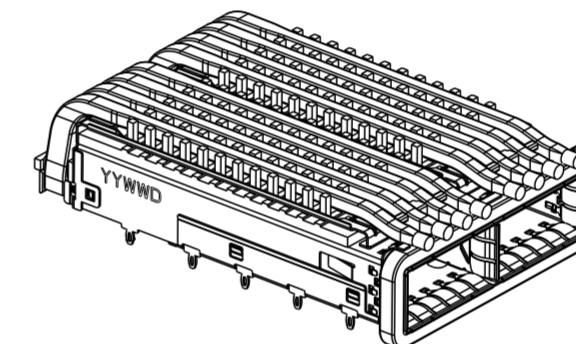
LIGHT PIPE OPTION



SINGLE LIGHT PIPE
SCALE 1:1

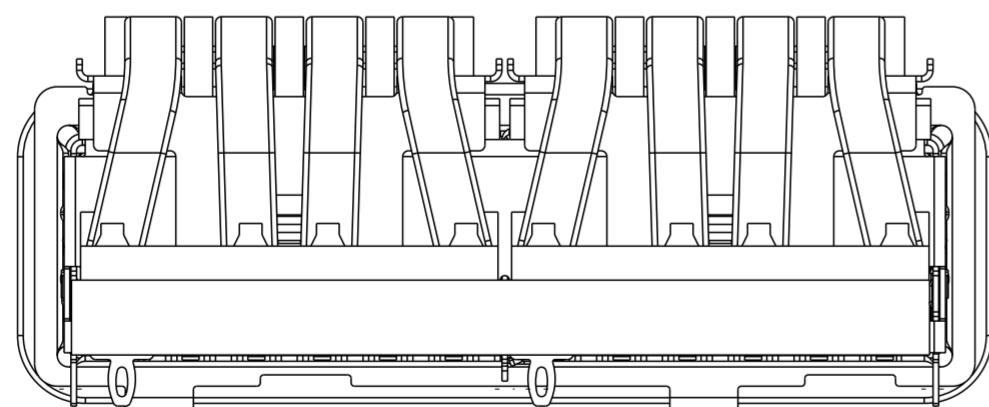


DUAL LIGHT PIPE
SCALE 1:1

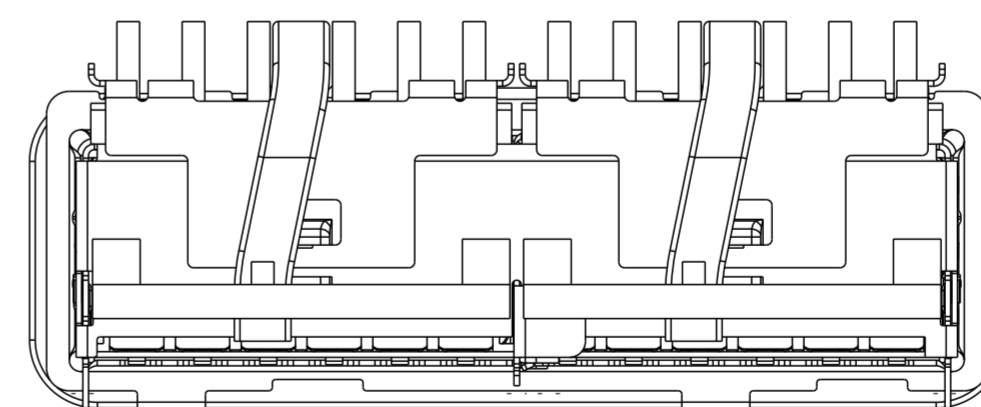


QUAD LIGHT PIPE
SCALE 1:1

OF REAR PIN OPTION



1 REAR PIN
SCALE 3:1




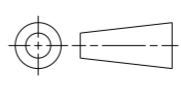
0 REAR PIN
SCALE 3:1

THIS DRAWING IS A CONTROLLED DOCUMENT.		DWN BING LIU 16SEP2014	TE Connectivity	
DIMENSIONS: mm		CHK JASON YANG 16SEP2014		
TOLERANCES UNLESS OTHERWISE SPECIFIED:		APVD SEAN HAN 09NOV2016	NAME RECEPTACLE CAGE ASSEMBLY WITH HEAT SINKS AND LIGHT PIPES, THRU BEZEL, 1X2, QSFP28, GASKET	
0 PLC ± 1 PLC ±0.25 2 PLC ±0.2 3 PLC ± 4 PLC ± ANGLES ±		PRODUCT SPEC 108-19428	SIZE 114-32023	RESTRICTED TO -
MATERIAL SEE NOTES material_2		FINISH SEE NOTES finish_spec_2	WEIGHT -	SCALE 1:1 SHEET 2 OF 9 REV A1
		CUSTOMER DRAWING	A200779 C-2170814	

THIS DRAWING IS UNPUBLISHED. RELEASED FOR PUBLICATION 20
 © COPYRIGHT 20 BY - ALL RIGHTS RESERVED.

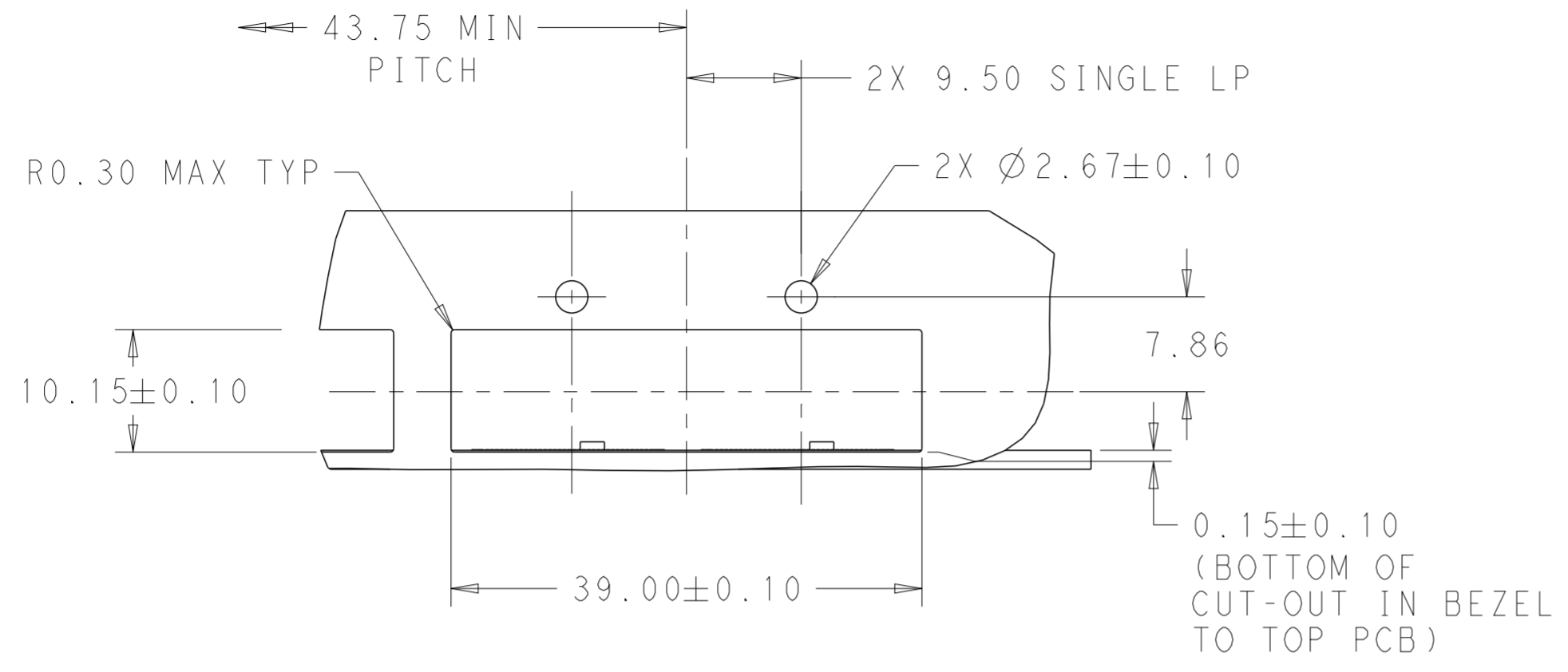
LOC	DIST	REVISIONS			
P	LTR	DESCRIPTION	DATE	DWN	APVD
rev_sym_1	16SEP2014	11	rev.date	rev.dwn	rev.appr
rev_sym_2	rev_desc_2	2	rev.date	rev.dwn	rev.appr
rev_sym_3	rev_desc_3	3	rev.date	rev.dwn	rev.appr
rev_sym_4	rev_desc_4	4	rev.date	rev.dwn	rev.appr

0	23.0	NETWORKING	QUAD	4-2170814-6
0	16.0	SAN	QUAD	4-2170814-5
0	13.7	PCI	QUAD	4-2170814-4
1	23.0	NETWORKING	QUAD	4-2170814-3
1	16.0	SAN	QUAD	4-2170814-2
1	13.7	PCI	QUAD	4-2170814-1
0	23.0	NETWORKING	DUAL	2-2170814-6
0	16.0	SAN	DUAL	2-2170814-5
0	13.7	PCI	DUAL	2-2170814-4
1	23.0	NETWORKING	DUAL	2-2170814-3
1	16.0	SAN	DUAL	2-2170814-2
1	13.7	PCI	DUAL	2-2170814-1
0	23.0	NETWORKING	SINGLE	2170814-6
0	16.0	SAN	SINGLE	2170814-5
0	13.7	PCI	SINGLE	2170814-4
1	23.0	NETWORKING	SINGLE	2170814-3
1	16.0	SAN	SINGLE	2170814-2
1	13.7	PCI	SINGLE	2170814-1
# OF REAR PIN	DIM A	APPLICATION	LIGHT PIPE OPTION	PART NUMBER

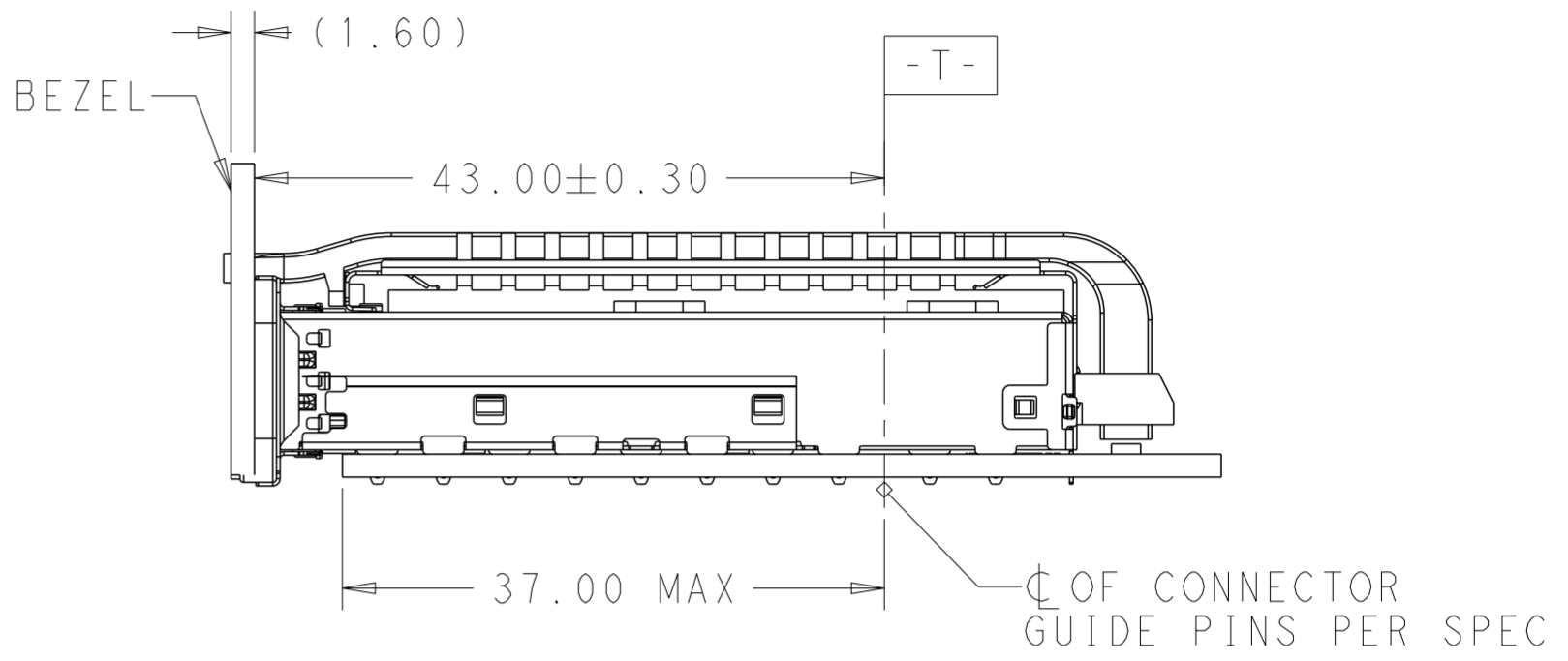
THIS DRAWING IS A CONTROLLED DOCUMENT.		DWN BING LIU 16SEP2014	 TE Connectivity
DIMENSIONS: mm		CHK JASON YANG 16SEP2014	
		APVD SEAN HAN 09NOV2016	
TOLERANCES UNLESS OTHERWISE SPECIFIED: 0 PLC ± 1 PLC ±0.25 2 PLC ±0.2 3 PLC ± 4 PLC ± ANGLES ±		NAME RECEPTACLE CAGE ASSEMBLY WITH HEAT SINKS AND LIGHT PIPES, THRU BEZEL, 1X2, QSFP28, GASKET	
MATERIAL SEE NOTES material_2	FINISH SEE NOTES finish_spec_2	PRODUCT SPEC 108-19428	RESTRICTED TO
		APPLICATION SPEC 114-32023	SIZE A2
		WEIGHT -	CAGE CODE 00779
		CUSTOMER DRAWING	DRAWING NO C-2170814
		SCALE 1:1	SHEET 3 OF 9
			REV A1

THIS DRAWING IS UNPUBLISHED. RELEASED FOR PUBLICATION 20
 © COPYRIGHT 20 BY - ALL RIGHTS RESERVED.

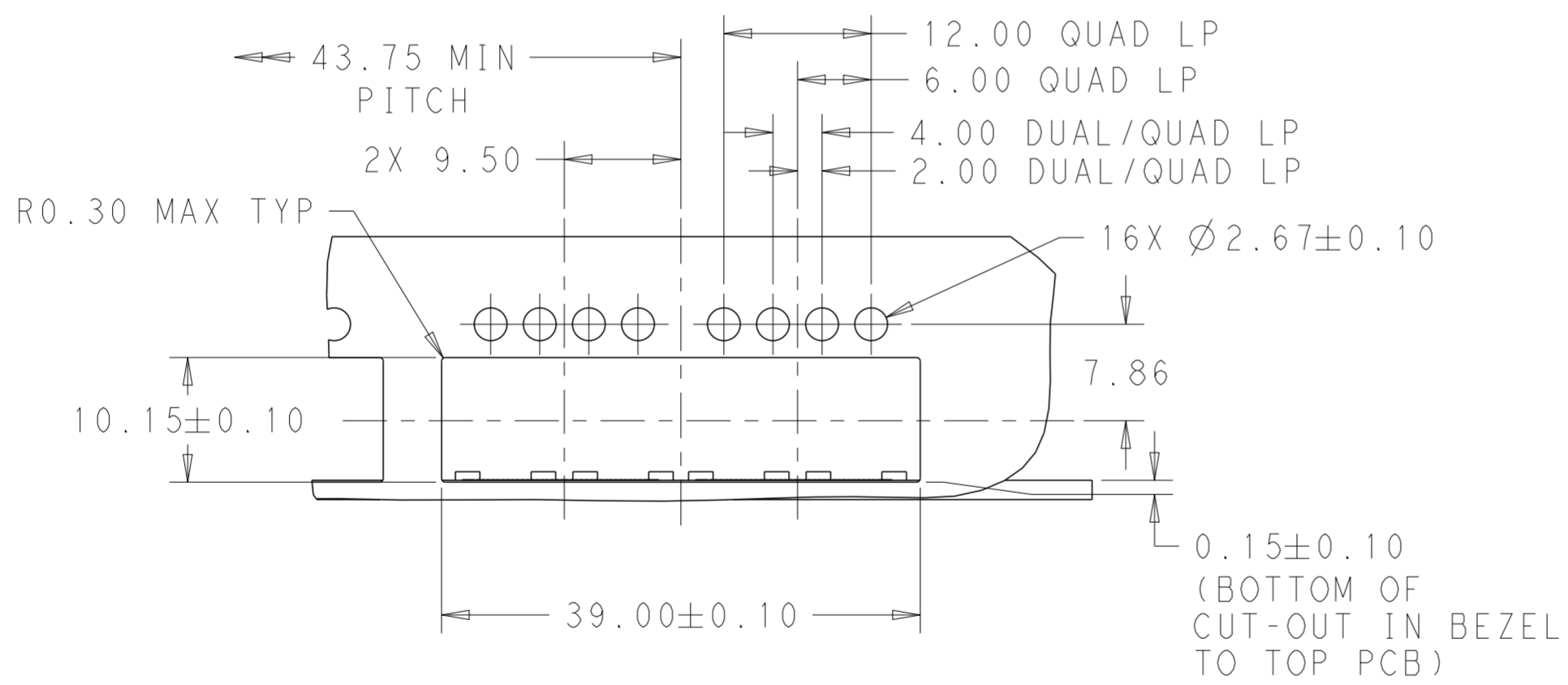
LOC		DIST		REVISIONS			
P	LTR	DESCRIPTION		DATE	DWN	APVD	
rev_sym_1	16SEP11	16SEP11		rev.date	rev.dwn	rev.appr	1
rev_sym_2	rev_desc_2	rev_desc_2		rev.date	rev.dwn	rev.appr	2
rev_sym_3	rev_desc_3	rev_desc_3		rev.date	rev.dwn	rev.appr	3
rev_sym_4	rev_desc_4	rev_desc_4		rev.date	rev.dwn	rev.appr	4



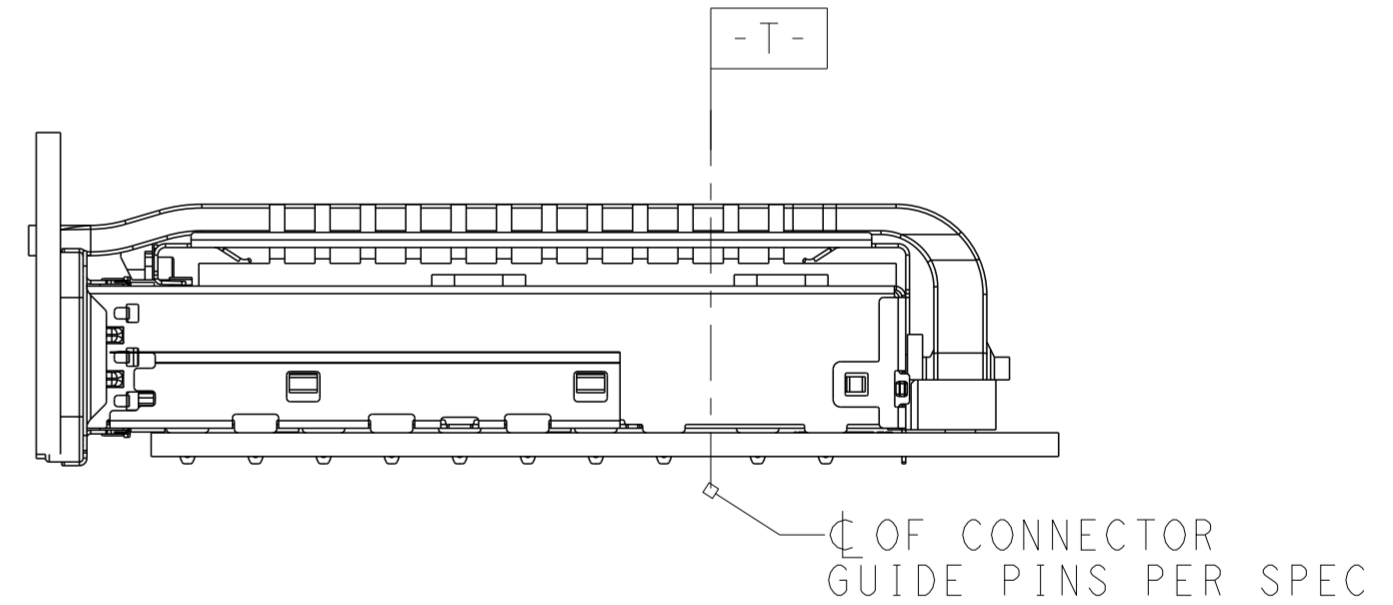
CAGE ASSEMBLY IS OMITED



SINGLE SIDE MOUNTING
SCALE 2:1



CAGE ASSEMBLY IS OMITED

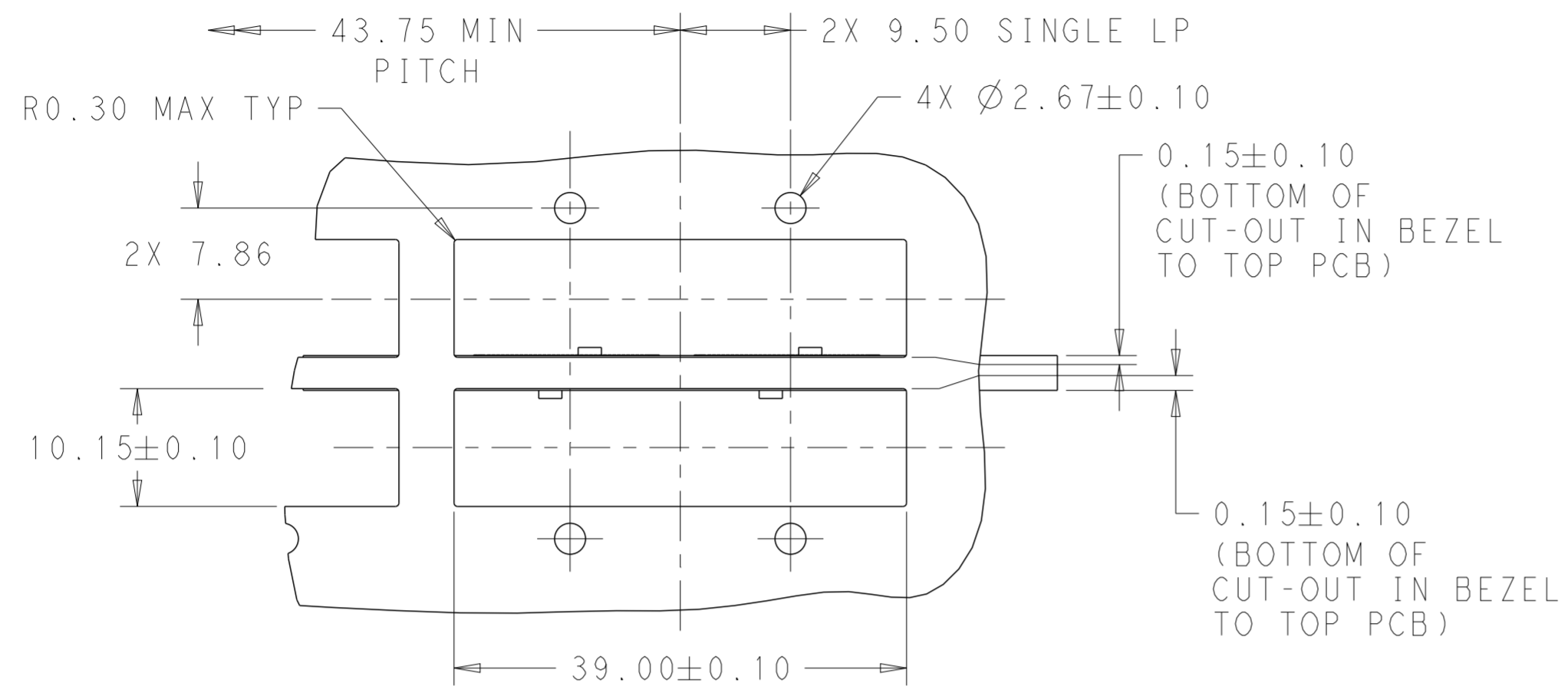


SINGLE SIDE MOUNTING
SCALE 2:1

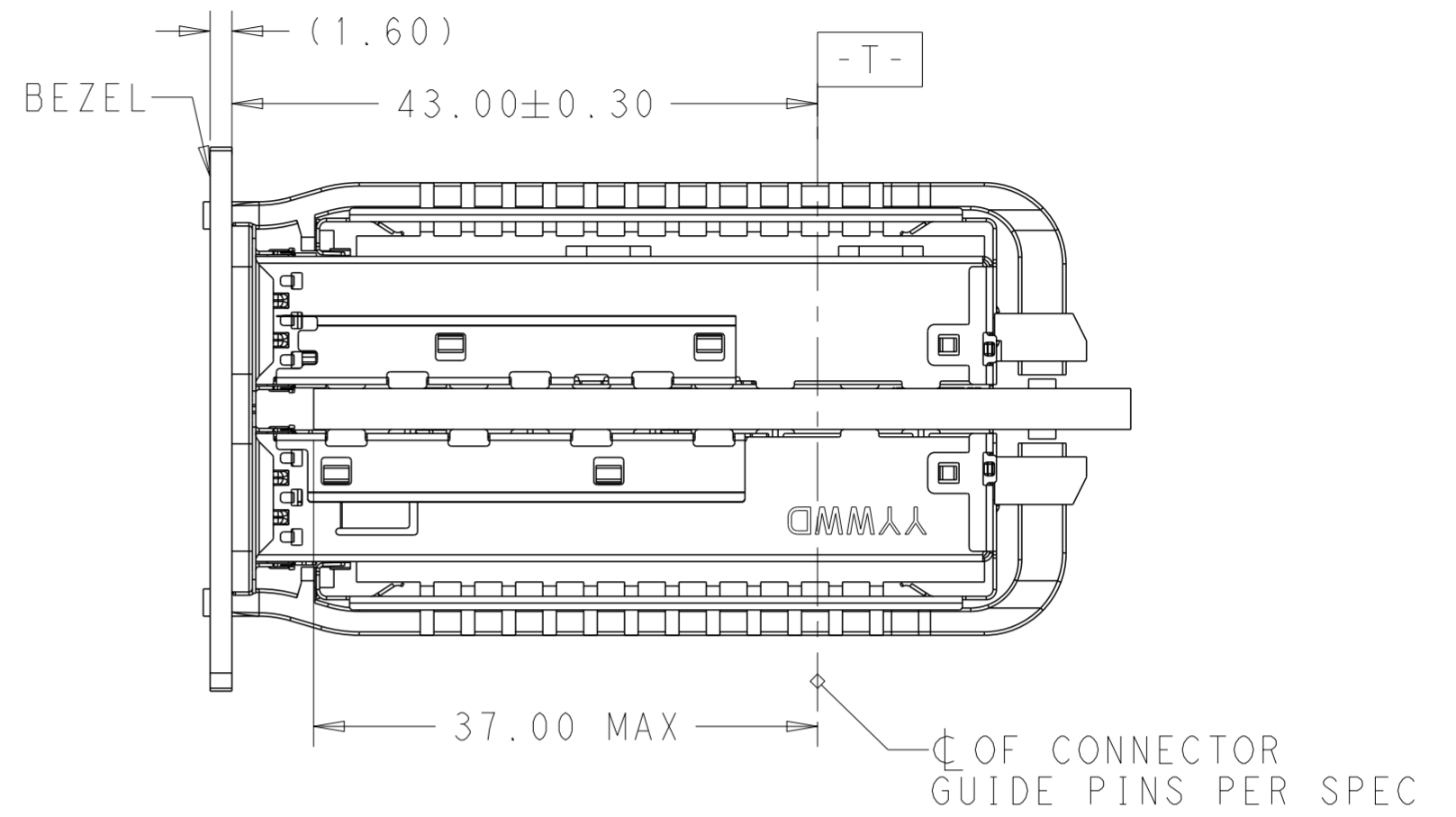
THIS DRAWING IS A CONTROLLED DOCUMENT.		DWN BING LIU 16SEP2014	TE Connectivity	
DIMENSIONS: mm		CHK JASON YANG 16SEP2014		
TOLERANCES UNLESS OTHERWISE SPECIFIED:		APVD SEAN HAN 09NOV2016	NAME RECEPTACLE CAGE ASSEMBLY WITH HEAT SINKS AND LIGHT PIPES, THRU BEZEL, 1X2, QSFP28, GASKET	
		PRODUCT SPEC 108-19428	SIZE A2	
MATERIAL SEE NOTES material_2		APPLICATION SPEC 114-32023	CAGE CODE 00779	
FINISH SEE NOTES finish_spec_2		WEIGHT -	DRAWING NO C-2170814	
		CUSTOMER DRAWING	SCALE 1:1	SHEET 4 OF 9
			REV A1	

THIS DRAWING IS UNPUBLISHED. RELEASED FOR PUBLICATION 20
 © COPYRIGHT 20 BY - ALL RIGHTS RESERVED.

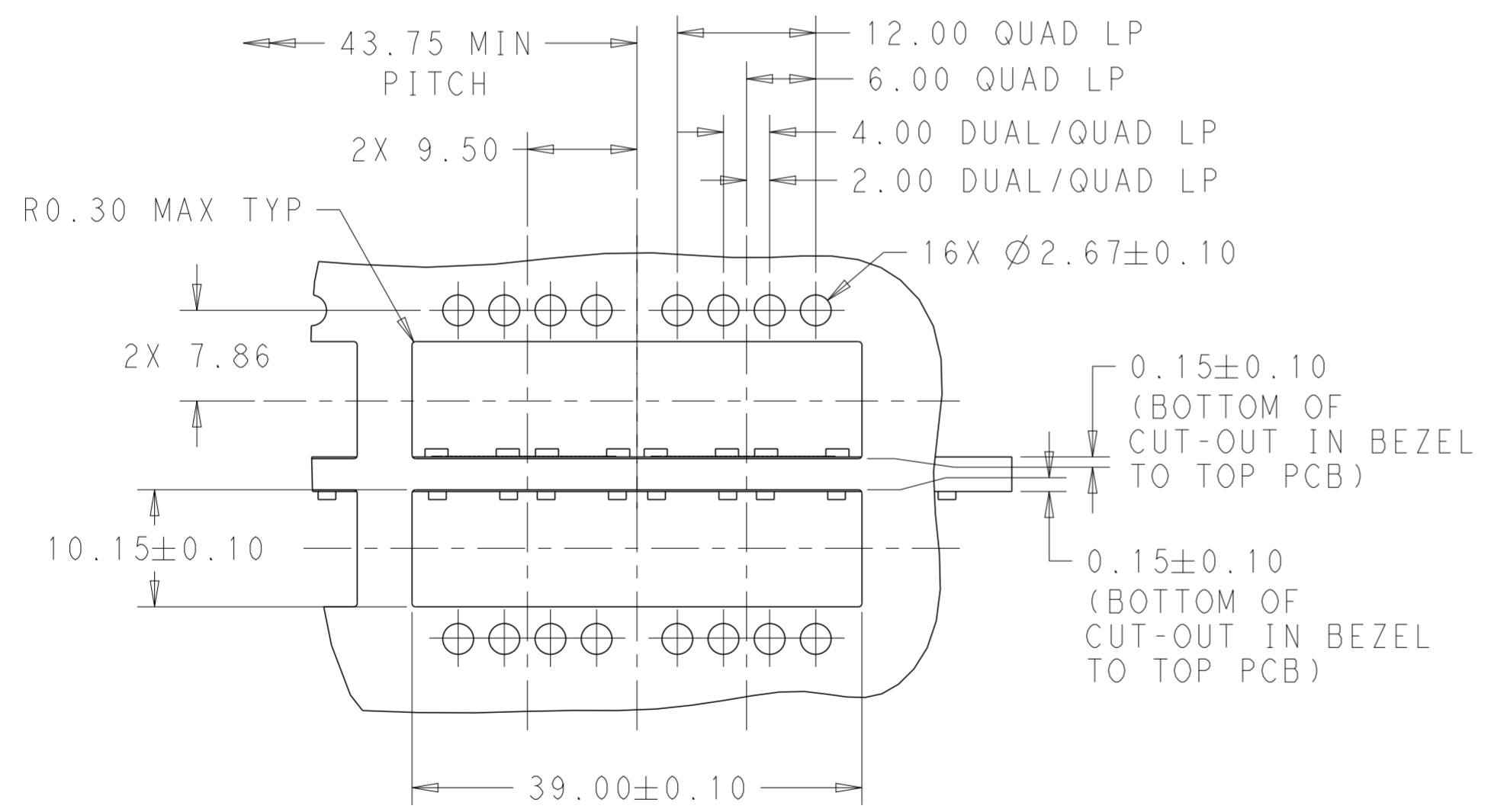
LOC		DIST		REVISIONS			
P	LTR	DESCRIPTION	DATE	DWN	APVD		
rev_sym_1	16SEP2014	16SEP2014	rev.date	rev.dwn	rev.appr	.1	
rev_sym_2	rev_desc_2	rev_desc_2	rev.date	rev.dwn	rev.appr	.2	
rev_sym_3	rev_desc_3	rev_desc_3	rev.date	rev.dwn	rev.appr	.3	
rev_sym_4	rev_desc_4	rev_desc_4	rev.date	rev.dwn	rev.appr	.4	



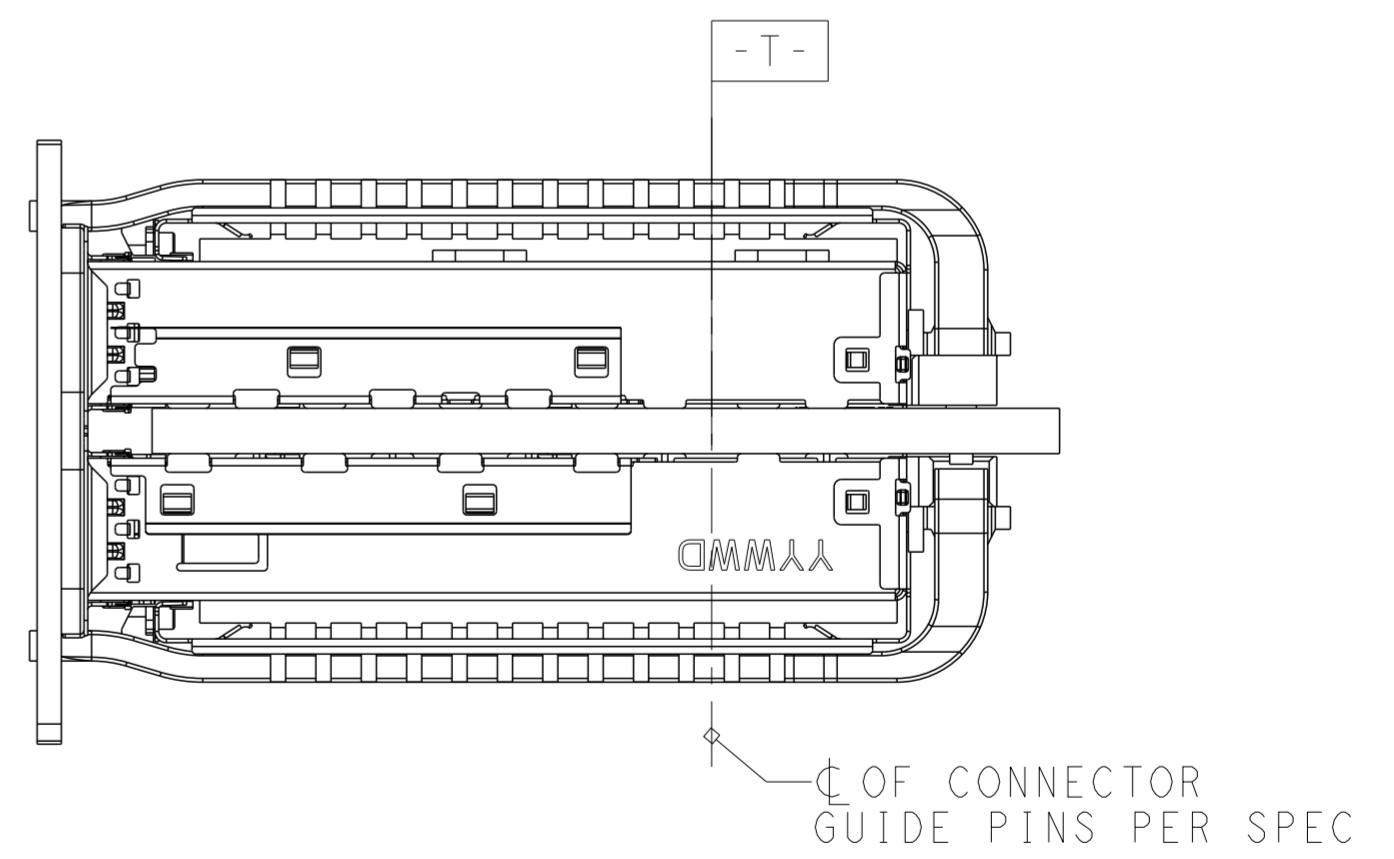
CAGE ASSEMBLY IS OMITED



BELLY TO BELLY MOUNTING
SCALE 2:1



CAGE ASSEMBLY IS OMITED

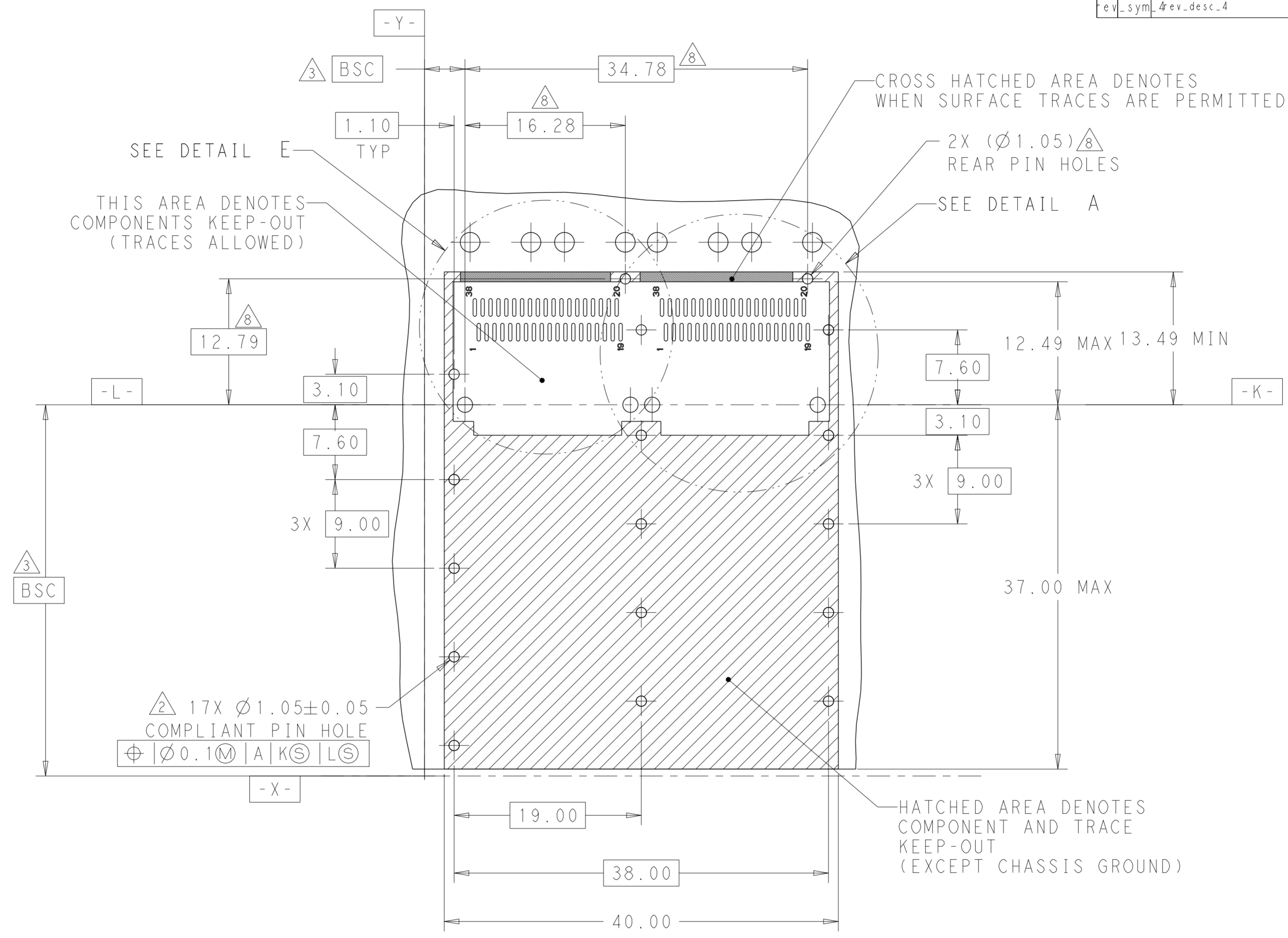


BELLY TO BELLY MOUNTING
SCALE 2:1

THIS DRAWING IS A CONTROLLED DOCUMENT.		DWN BING LIU 16SEP2014	TE Connectivity	
		CHK JASON YANG 16SEP2014		
DIMENSIONS: mm		APVD SEAN HAN 09NOV2016	NAME RECEPTACLE CAGE ASSEMBLY WITH HEAT SINKS AND LIGHT PIPES, THRU BEZEL, 1X2, QSFP28, GASKET	
TOLERANCES UNLESS OTHERWISE SPECIFIED: 0 PLC ± 1 PLC ±0.25 2 PLC ±0.2 3 PLC ± 4 PLC ± ANGLES ±		PRODUCT SPEC 108-19428	SIZE A200779	
MATERIAL SEE NOTES material_2		APPLICATION SPEC 114-32023	DRAWING NO C-2170814	
FINISH SEE NOTES finish_spec_2		WEIGHT -	RESTRICTED TO -	
		CUSTOMER DRAWING	SCALE 1:1	SHEET 5 OF 9
			REV A1	

THIS DRAWING IS UNPUBLISHED. RELEASED FOR PUBLICATION 20
 © COPYRIGHT 20 BY - ALL RIGHTS RESERVED.

LOC		DIST		REVISIONS			
P	LTR	DESCRIPTION	DATE	DWN	APVD		
rev_sym_1	16E6-8HBEI11		rev.date	rev.dwn	rev.appr	.1	
rev_sym_2	rev_desc_2		rev.date	rev.dwn	rev.appr	.2	
rev_sym_3	rev_desc_3		rev.date	rev.dwn	rev.appr	.3	
rev_sym_4	rev_desc_4		rev.date	rev.dwn	rev.appr	.4	



SEE DETAIL E
 THIS AREA DENOTES COMPONENTS KEEP-OUT (TRACES ALLOWED)

CROSS HATCHED AREA DENOTES WHEN SURFACE TRACES ARE PERMITTED

2X (Ø1.05) REAR PIN HOLES

SEE DETAIL A

HATCHED AREA DENOTES COMPONENT AND TRACE KEEP-OUT (EXCEPT CHASSIS GROUND)

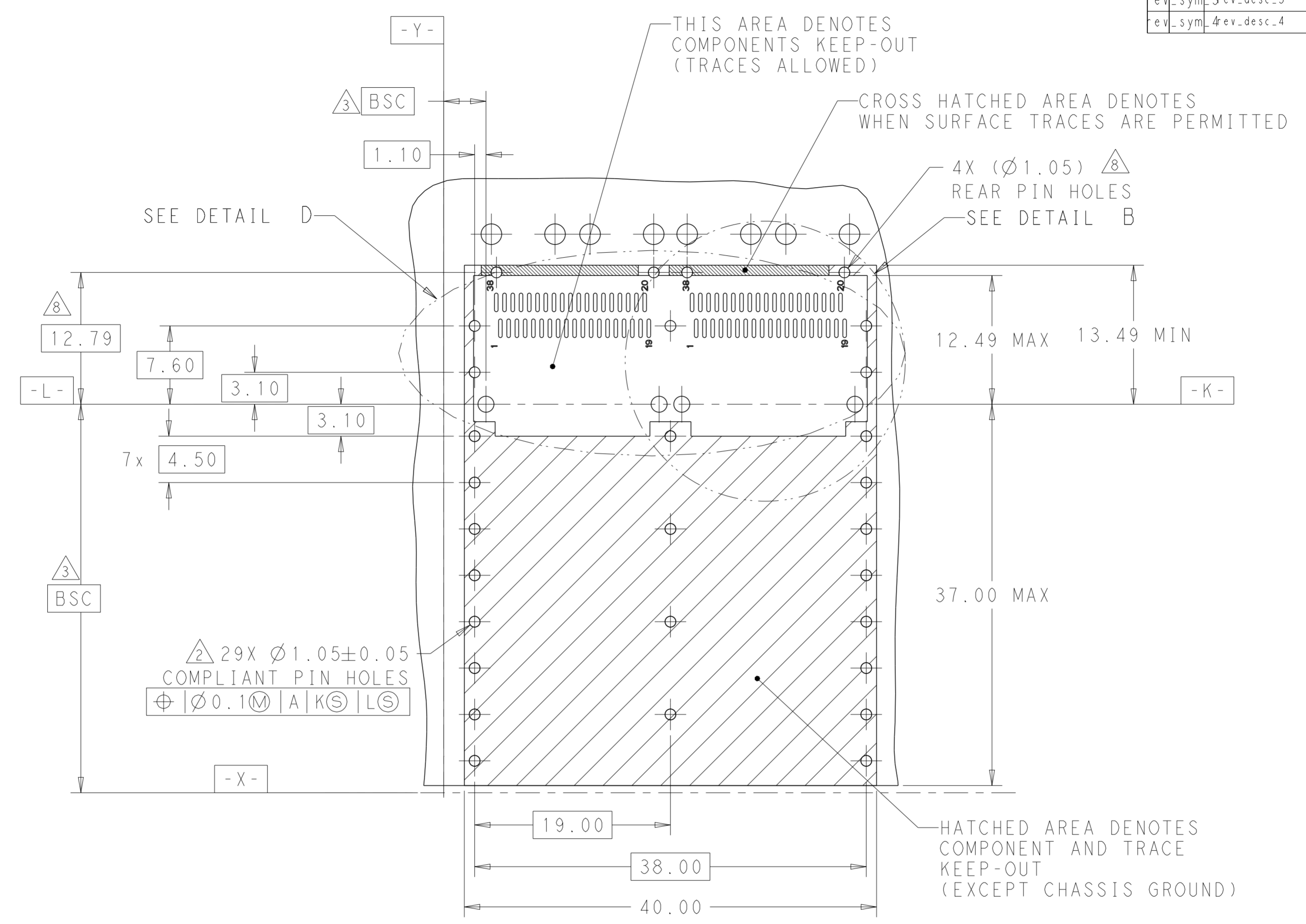
17X Ø1.05±0.05 COMPLIANT PIN HOLE
 Ø0.1M | A | K | L

RECOMMENDED PCB LAYOUT
 SINGLE TYPE
 PCB TOLERANCE: ±0.05
 SCALE 3:1

THIS DRAWING IS A CONTROLLED DOCUMENT.		DWN	BING LIU	16SEP2014	 TE Connectivity	NAME		RECEPTACLE CAGE ASSEMBLY WITH HEAT SINKS AND LIGHT PIPES, THRU BEZEL, 1X2, QSFP28, GASKET		
DIMENSIONS: mm		CHK	JASON YANG	16SEP2014		PRODUCT SPEC		SIZE	CAGE CODE	DRAWING NO
TOLERANCES UNLESS OTHERWISE SPECIFIED:		APVD	SEAN HAN	09NOV2016		APPLICATION SPEC		A2	00779	C-2170814
0 PLC ± 1 PLC ±0.25 2 PLC ±0.2 3 PLC ± 4 PLC ± ANGLES ± FINISH SEE NOTES		MATERIAL		SEE NOTES		WEIGHT		CUSTOMER DRAWING		SCALE 1:1
SEE NOTES material_2 finish_spec_2		RESTRICTED TO		SHEET 6 OF 9		REV A1				

THIS DRAWING IS UNPUBLISHED. RELEASED FOR PUBLICATION 20
 © COPYRIGHT 20 BY - ALL RIGHTS RESERVED.

LOC	DIST	REVISIONS			
P	LTR	DESCRIPTION	DATE	DWN	APVD
rev_sym_1	16SEP11	16SEP11	16SEP11	16SEP11	16SEP11
rev_sym_2	rev_desc_2				
rev_sym_3	rev_desc_3				
rev_sym_4	rev_desc_4				

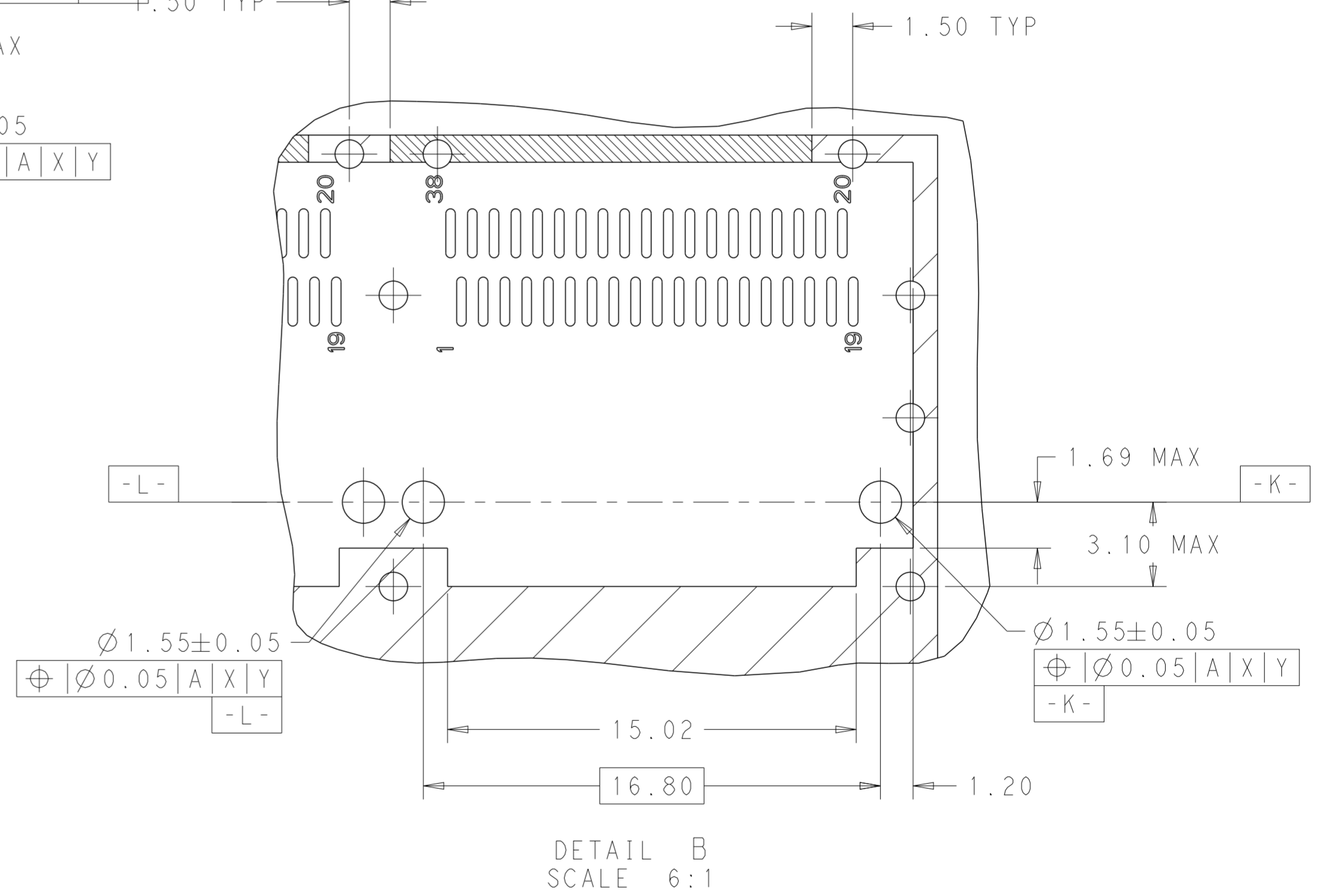
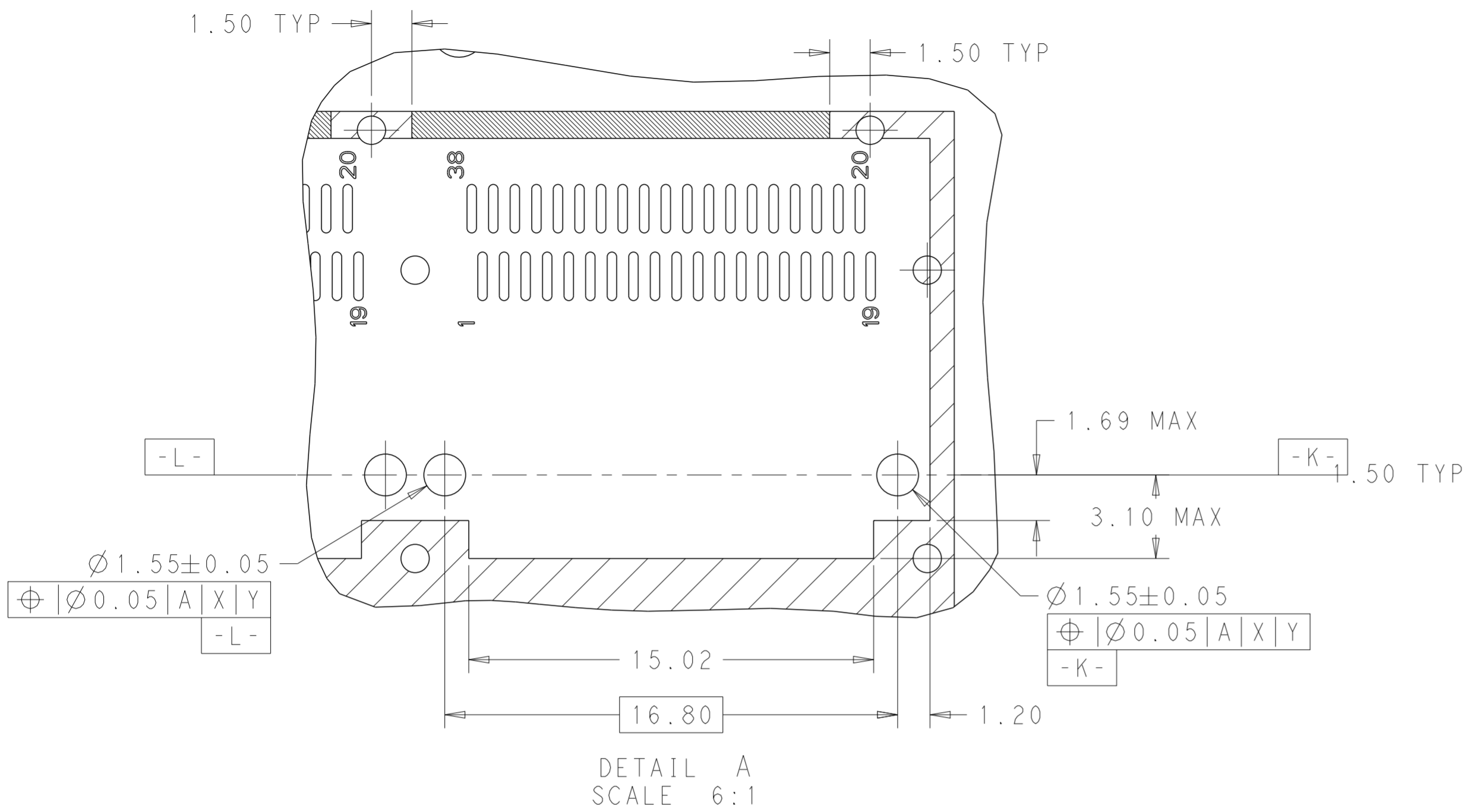


RECOMMENDED PCB LAYOUT
 BELLY TO BELLY TYPE
 PCB TOLERANCE: ±0.05
 SCALE 3:1

THIS DRAWING IS A CONTROLLED DOCUMENT.		DWN BING LIU 16SEP2014	TE Connectivity
DIMENSIONS: mm		CHK JASON YANG 16SEP2014	
TOLERANCES UNLESS OTHERWISE SPECIFIED:		APVD SEAN HAN 09NOV2016	NAME RECEPTACLE CAGE ASSEMBLY WITH HEAT SINKS AND LIGHT PIPES, THRU BEZEL, 1X2, QSFP28, GASKET
0 PLC ± 1 PLC ±0.25 2 PLC ±0.2 3 PLC ± 4 PLC ± ANGLES ±		PRODUCT SPEC 108-19428	SIZE A2
MATERIAL SEE NOTES material_2		APPLICATION SPEC 114-32023	CAGE CODE 00779
FINISH SEE NOTES finish_spec_2		WEIGHT -	DRAWING NO C-2170814
		CUSTOMER DRAWING	RESTRICTED TO -
		SCALE 1:1	SHEET 7 OF 9
			REV A1

THIS DRAWING IS UNPUBLISHED. RELEASED FOR PUBLICATION 20
 © COPYRIGHT 20 BY - ALL RIGHTS RESERVED.

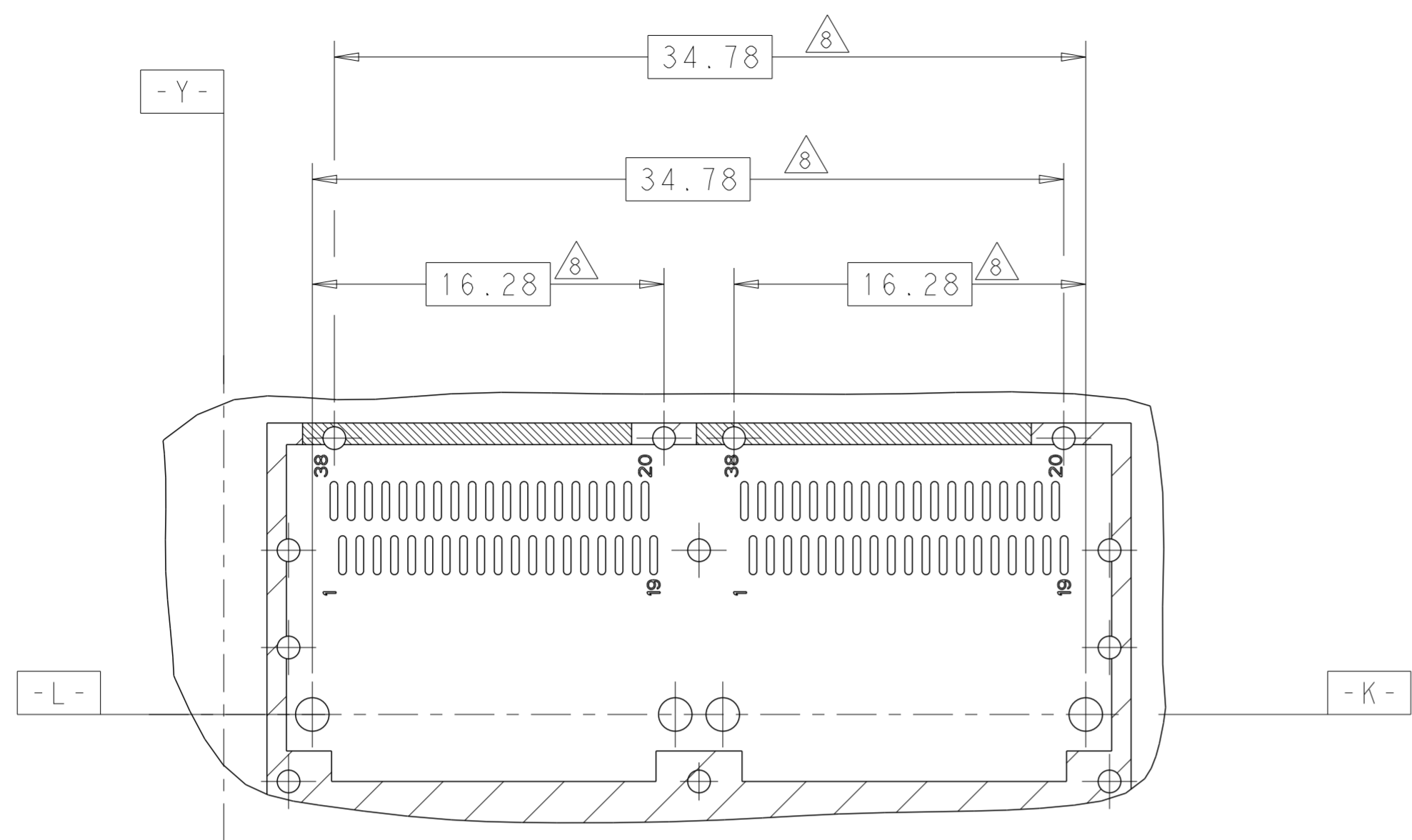
LOC		DIST		REVISIONS			
P	LTR	DESCRIPTION		DATE	DWN	APVD	
rev_sym_1	16SEP2014	16SEP2014		rev.date	rev.dwn	rev.apvd	1
rev_sym_2	rev_desc_2	rev_desc_2		rev.date	rev.dwn	rev.apvd	2
rev_sym_3	rev_desc_3	rev_desc_3		rev.date	rev.dwn	rev.apvd	3
rev_sym_4	rev_desc_4	rev_desc_4		rev.date	rev.dwn	rev.apvd	4



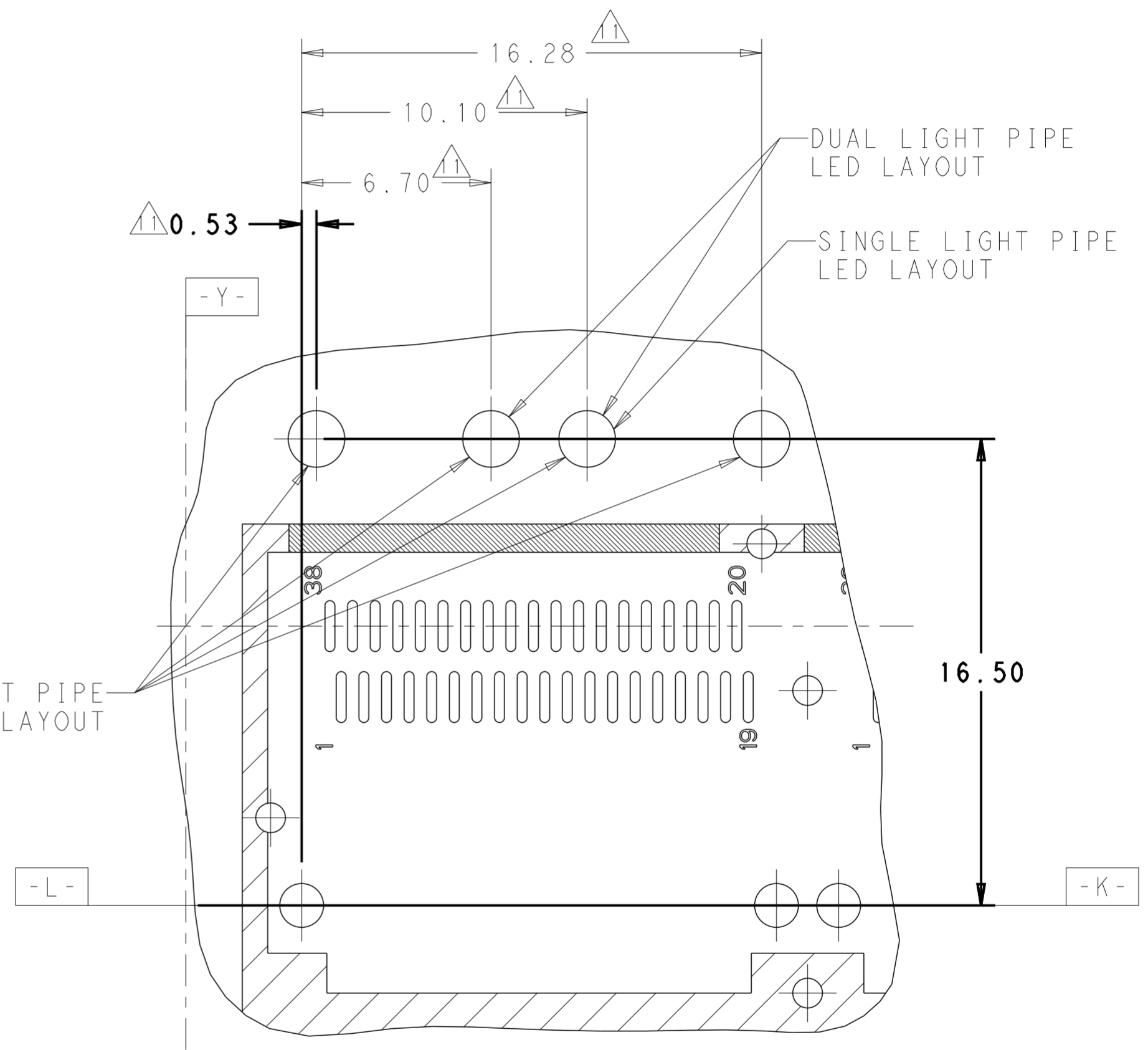
THIS DRAWING IS A CONTROLLED DOCUMENT.		DWN BING LIU 16SEP2014	STE TE Connectivity
DIMENSIONS: mm		CHK JASON YANG 16SEP2014	
TOLERANCES UNLESS OTHERWISE SPECIFIED:		APVD SEAN HAN 09NOV2016	NAME RECEPTACLE CAGE ASSEMBLY WITH HEAT SINKS AND LIGHT PIPES, THRU BEZEL, 1X2, QSFP28, GASKET
0 PLC ± 1 PLC ±0.25 2 PLC ±0.2 3 PLC ± 4 PLC ±		PRODUCT SPEC 108-19428	
MATERIAL SEE NOTES material_2		APPLICATION SPEC 114-32023	SIZE A200779
FINISH SEE NOTES finish_spec_2		WEIGHT -	DRAWING NO C-2170814
		CUSTOMER DRAWING	RESTRICTED TO -
		SCALE 1:1	SHEET 8 OF 9
			REV A1

THIS DRAWING IS UNPUBLISHED. RELEASED FOR PUBLICATION 20
 © COPYRIGHT 20 BY - ALL RIGHTS RESERVED.

LOC		DIST		REVISIONS			
P	LTR	DESCRIPTION		DATE	DWN	APVD	
rev_sym_1	16SEP11	16SEP11		rev.date	rev.dwn	rev.apvd	1
rev_sym_2	rev_desc_2	rev_desc_2		rev.date	rev.dwn	rev.apvd	2
rev_sym_3	rev_desc_3	rev_desc_3		rev.date	rev.dwn	rev.apvd	3
rev_sym_4	rev_desc_4	rev_desc_4		rev.date	rev.dwn	rev.apvd	4



DETAIL D
SCALE 4:1



DETAIL E
SCALE 6:1

THIS DRAWING IS A CONTROLLED DOCUMENT.		DWN	16SEP2014	STE TE Connectivity
		CHK	16SEP2014	
		APVD	09NOV2016	NAME RECEPTACLE CAGE ASSEMBLY WITH HEAT SINKS AND LIGHT PIPES, THRU BEZEL, 1X2, QSFP28, GASKET
		PRODUCT SPEC	108-19428	
		APPLICATION SPEC	114-32023	SIZE
		WEIGHT	-	CAGE CODE
		CUSTOMER DRAWING		DRAWING NO
		SCALE 1:1		RESTRICTED TO
		SHEET 9 OF 9		REV A1