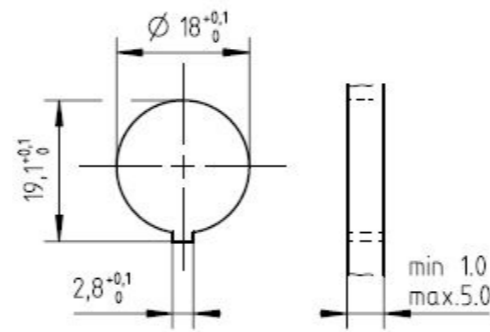


Panel cutout M1:1



* for 12,14 and 19 pol dimension is 14 ± 0,3

Number of contacts	Standard	3	4	5	5	6	7	7	8	12	14	14	19	
Contact arrangement	IEC 61076-2-106	03-a	04-a	05-a	05-b	06-a	07-a	07-b	08-a	12-a	14-a	14-b	19-a	
Contact arrangement	IEC 60130-9 ⁿ	yes		no		yes		no		no				
Rated voltage ²⁾	IEC 60664-1	300 V (100 V)		300 V (63 V)		100 V (32 V)		300 V (63 V)		100 V (32 V)		150 V (32 V)		
Rated voltage	UL 1977	250V								60V				
Rated impulse withstand voltage ²⁾	IEC 60664-1	1500 V (1500 V)		1200 V (800 V)		1500 V (1500 V)		1200 V (800 V)						
Pollution degree ²⁾	IEC 60664-1	1 (2)												
Installation category	IEC 60664-1	I												
Insulation group	IEC 60664-1	II, 400 ≤ CTI < 600												
Current rating	IEC 60512-5-2 UL 1977	10A/+40°C			7A/+40°C						3A/+40°C			
Insulation resistance	IEC 60512-3-1	>10 ¹⁰ Ohm ³⁾												
Contact resistance	IEC 60512-2-1	<5mOhm												
Climatic category	IEC 60668-1	40 / 100 / 56												
Temperatur range	IEC 60668-1	-40°C...+100°C / -40°F...+212°F												
IP degree	IEC 60529	IP 40												
Insertion and withdrawal force	IEC 60512-13-2	25N	30N	35N	35N	50N	55N	55N	60N	50N	50N	50N	60N	
mechanical operation	IEC 60512-9-1	Silver ≥500 mating cycles / Gold ≥1000 mating cycles												
housing material		brass and / or zinc die cast, nickel plated or thermoplast												
dielectric material		thermoplastic												
contacts		silver or gold plated												
termination technique		solder												
wire gauge		≤0,5mm ² / 20 AWG						≤0,35mm ² / 22 AWG						
flamability		UL 94 VO												
locking system		metal screw coupling; tightening torque 0,7 - 1,5 Nm												

Gewicht (errechnet) / Calc WT: 14,38 g
 Prüfmaß / Testdimension
 Teileindex / Partindexnumber:
 Bagatelle change: 23.02.2021 MCARLE

Zul. Abw./Tolerances:
 ISO 2768-c
 DIN / ISO 13715

Maßstab / Scale: 2:1;1:1
 A3
CUSTOMER DRAWING

Gez. 06.11.2020
 Drawn MCARLE
 Status Released
 Gepr. 10.02.2021
 Checked MBERTSCH

Female receptacle
 front mounting

Amphenol Tuchel Industrial GmbH
 02 202000083 06.11.2020 MCARLE
 Index Änderung/Description Datum/Date Name

M NA T 3XXX 0XX U
 Blatt/Sheet 1
 1 Bl.
 Ers. f. / Replacement for:

	19 (19-a)	Ag	T 3693 000 U
		Au	T 3693 018 U
	14 (14-b)	Ag	T 3673 000 U
		Au	T 3673 018 U
	14 (14-a)	Ag	T 3653 000 U
		Au	T 3653 004 U
	12 (12-a)	Ag	T 3638 000 U
		Au	T 3638 004 U
	8 (08-a)	Ag	T 3507 000 U
		Au	T 3507 18 U
	7 (07-b)	Ag	T 3487 000 U
		Au	T 3487 018 U
	7 (07-a)	Ag	T 3478 000 U
		Au	T 3478 018 U
	6 (6-a)	Ag	T 3403 000 U
		Au	T 3403 018 U
	5 (05-b)	Ag	T 3363 010 U
		Au	T 3359 018 U
	5 (05-a)	Ag	T 3363 000 U
		Au	T 3363 018 U
	4 (04-a)	Ag	T 3303 000 U
		Au	T 3303 018 U
	3 (03-a)	Ag	T 3263 000 U
		Au	T 3263 018 U
	2 (Pin 1+3)	Ag	T 3203 000 U
		Au	T 3203 018 U
Contact arrangement View on mating side	Number of contacts (Contact arrangement acc. DIN EN 61076-2-106)	contact plating	Part number

Copying of this document and giving it to others and the use or communication of the contents thereof, are forbidden without express authority. Offenders are liable to the payment of damages. All rights are reserved in the event of the grant of a patent or the registration of the utility model or design.
 Weitergabe sowie Vervielfältigung dieser Unterlage, Verwertung und Mitteilung ihres Inhalts nicht gestattet, soweit nicht ausdrücklich zugestanden. Zuwiderhandlungen verpflichten zu Schadenersatz. Alle Rechte für den Fall der Patenterteilung oder Gebrauchsmuster-Eintragung vorbehalten.