

THIS DRAWING IS UNPUBLISHED.

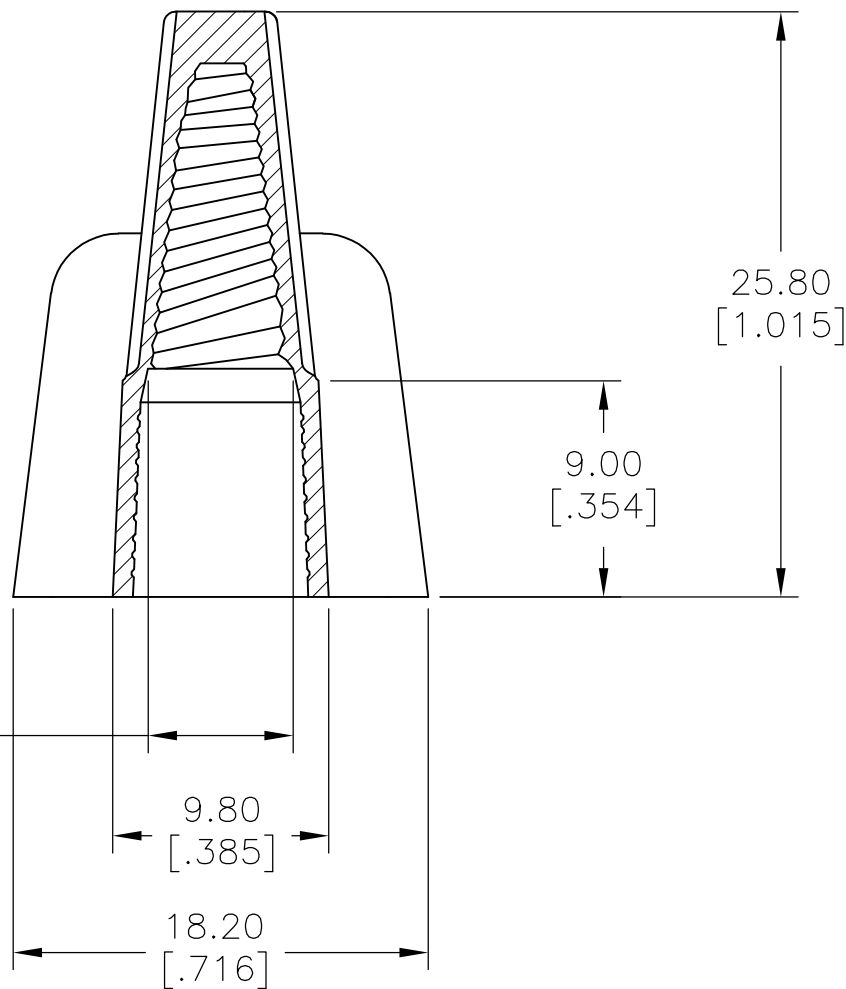
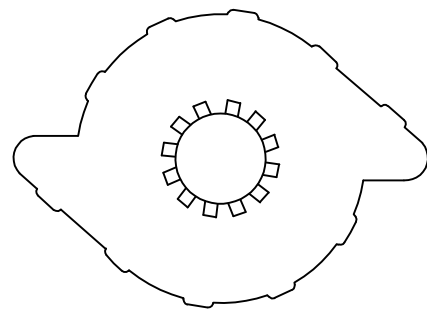
RELEASED FOR PUBLICATION

ALL RIGHTS RESERVED.

© COPYRIGHT - By -


REVISIONS

P	LTR	DESCRIPTION	DATE	DWN	APVD
	A	NEW DRAWING	14JAN2016	NK	RH



- 1 WORKING TEMPERATURE: 105° C
- 2 VOLTAGE: 300/600V MAX
- 3 COLOR: YELLOW
- 4 WIRE RANGE: #18-#10 AWG MAX.2#12 W/1#14 SOL/MIN.3#18
- 5 SPRING INSERT: STEEL

2299508-1 AS SHOWN

THIS DRAWING IS A CONTROLLED DOCUMENT.		DWN NAGALAKSHMI K 14JAN2016	 TE Connectivity														
DIMENSIONS: mm [INCHES]		CHK HILL RYAN 14JAN2016															
TOLERANCES UNLESS OTHERWISE SPECIFIED:		APVD HILL RYAN 14JAN2016	NAME														
<table border="0"> <tr><td>0 PLC</td><td>± -</td></tr> <tr><td>1 PLC</td><td>± 0.2[.007]</td></tr> <tr><td>2 PLC</td><td>± 0.4[.015]</td></tr> <tr><td>3 PLC</td><td>± -</td></tr> <tr><td>4 PLC</td><td>± -</td></tr> <tr><td>ANGLES</td><td>± -</td></tr> </table>		0 PLC	± -	1 PLC	± 0.2[.007]	2 PLC	± 0.4[.015]	3 PLC	± -	4 PLC	± -	ANGLES	± -	PRODUCT SPEC		CPGI-WC-WNG-YW-BULK	
0 PLC	± -																
1 PLC	± 0.2[.007]																
2 PLC	± 0.4[.015]																
3 PLC	± -																
4 PLC	± -																
ANGLES	± -																
MATERIAL TOUGH THERMOPLASTIC UL 94V-2 FLAME-RETARDANT		APPLICATION SPEC		SIZE	RESTRICTED TO												
FINISH -		WEIGHT -		A3	-												
CUSTOMER DRAWING			CAGE CODE 00779	DRAWING NO C-2299508	SCALE 3:1												
			SHEET 1 OF 1	REV A													