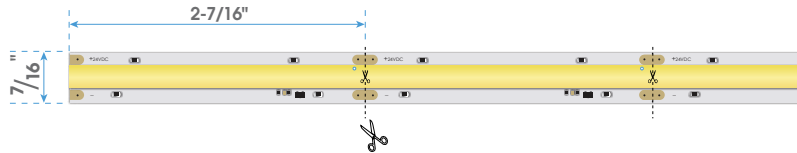


CVX-COB

LED FLEXIBLE LINEAR
24V DC CHIP ON BOARD LED STRIP



Fixture Type	
Project	
Notes	



The JESCO Lighting's CVX-COB is a value engineered flexible COB tape with a continuous band of flawless light output with no pixelated hot spots - even without a lens. CVX-COB strip is field-cutttable for shorter runs. Cut ends can be linked with connectors (sold separately). Easy installation to most surfaces by using pre-attached 3M® double sided tape. The tape is dimmable using JESCO's various dimming options. CVX-COB is sold in 16ft reel.

2.5IN
MIN RUN

16FT
MAX RUN

DIMMABLE

L70
50,000
HOURS

SPECIFICATIONS

INPUT VOLTAGE	24V DC
WATTAGE	4.57 W/ft
LUMENS	See Performance Chart below
CRI	90+
BEAM ANGLE	120°
DIMMING	Dimmable
MIN RUN / MAX RUN²	2.5" / 16'

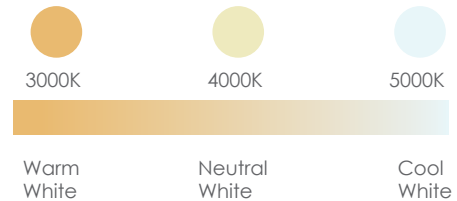
DIMENSIONS	7/16" W x 1/8" H
AMBIENT TEMPERATURE¹	-4° to 122°F (-20° to 50°C)
COLOR CONSISTENCY	5 Steps MacAdam
ENVIRONMENT	Indoor - Dry, Damp
CERTIFICATIONS	cULus Listed
WARRANTY	3 Years

¹ Exceeding the ambient or operating temperature values may damage the LEDs by reducing the lifespan, lumen output, and/or adversely impact color consistency. It is recommended adequate airflow and heatsinking be taken into consideration in the installation and application of this product. Improper thermal management may lead to premature product failure and void the warranty.
² Single runs can not exceed max run length. Cuts can only be made on the cutting mark



PERFORMANCE

COLOR TEMPERATURE	LUMEN	WATTAGE	EFFICACY	CRI
3000K	361 lm/ft	4.6 W/ft	79 lm/W	90+
4000K	380 lm/ft	4.6 W/ft	83 lm/W	90+
5000K	380 lm/ft	4.6 W/ft	83 lm/W	90+



ORDERING INFO

ORDERED BY THE REEL

MODEL	COLOR	REEL LENGTH
CVX-COB	5090	16FT
	3090 - 3000K / 90CRI	16FT - 16 FEET REEL
	4090 - 4000K / 90CRI	
	5090 ³ - 5000K / 90CRI	

CVX-COB is packed in 16' reel lengths. Each reel comes with an input power connector pre-assembled to one end of the reel.

³ Non-stocking product, consult factory on lead time.

CVX-COB

LED FLEXIBLE LINEAR
24V DC CHIP ON BOARD LED STRIP



Fixture Type	
Project	
Notes	

WIRING ACCESSORIES

Clamp Connector



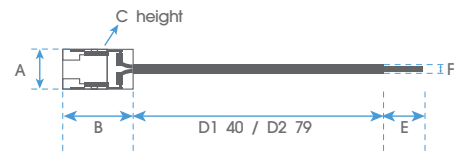
1

PART NUMBER	DL-FLEX2-CRYSCONN10-PC40
DESCRIPTION	12" plug and play power cord
MAX. CURRENT	5A ¹
OPERATING TEMP.	14°F to 113°F
ENVIRONMENT	Indoor, Dry
DIMENSIONS	A 1/2" (12 mm) B 5/8" (16 mm) C 3/16" (4 mm) D 40" (1016 mm) E 1-3/8" (35 mm) F 1/2" (12 mm)



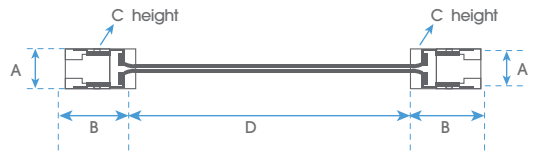
2

PART NUMBER	DL-FLEX2-CRYSCONN10-PC{40/79}-HW
DESCRIPTION	12" Hardwire power cord
MAX. CURRENT	5A ¹
OPERATING TEMP.	14°F to 113°F
ENVIRONMENT	Indoor, Dry
DIMENSIONS	A 1/2" (12 mm) B 5/8" (16 mm) C 3/16" (4 mm) D1 40" (1016 mm) D2 79" (2007 mm) E 1/2" (12 mm) F 3/16" (5mm)



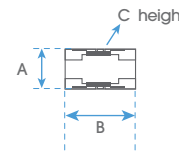
3

PART NUMBER	DL-FLEX2-CRYSCONN10-CC06
DESCRIPTION	Connecting cable. Connects strip to strip
MAX. CURRENT	5A ¹
OPERATING TEMP.	14°F to 113°F
ENVIRONMENT	Indoor, Dry
DIMENSIONS	A 1/2" (12 mm) B 5/8" (16 mm) C 3/16" (4 mm) D 6" (152 mm)



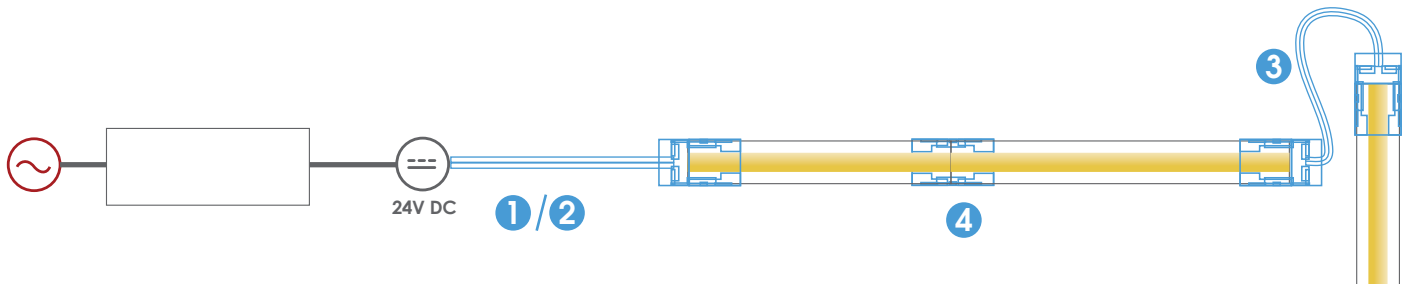
4

PART NUMBER	DL-FLEX2-CRYSCONN10-TT
DESCRIPTION	Tape-to-Tape Connector
MAX. CURRENT	5A ¹
OPERATING TEMP.	14°F to 113°F
ENVIRONMENT	Indoor, Dry
DIMENSIONS	A 1/2" (12 mm) B 5/8" (16 mm) C 3/16" (4 mm)



NOTE: Avoid cutting on soldered joints. Segments with solder joint will not work with connector.
All dimensions are nominal

WIRING SCHEMATIC



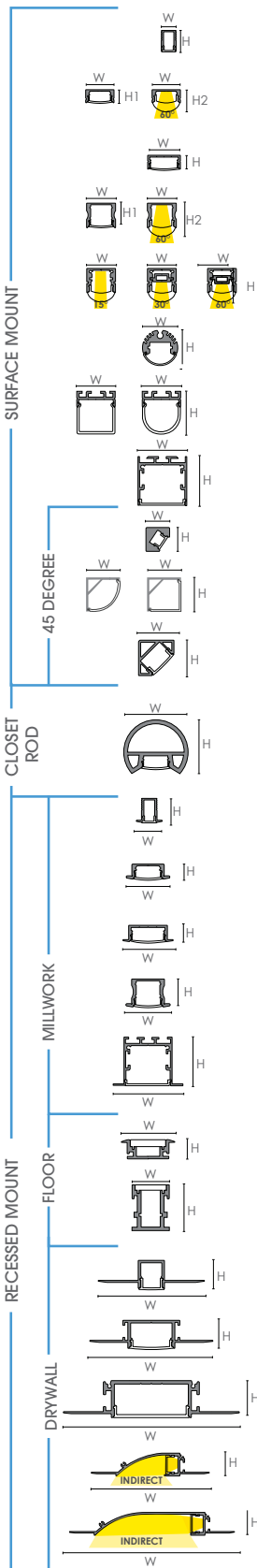
¹ CLASS 2 limits to 4A 96W for 24V DC system

CVX-COB

LED FLEXIBLE LINEAR
24V DC CHIP ON BOARD LED STRIP



Fixture Type
Project
Notes



	H1 / H2 - Height	W - Width	Fits LED Strip Width	Lens Options	Perfect Diffusion by LED Density
ME31	1/2" [12mm]	5/16" [8mm]	3/16" [4.5mm] ❌	FR	≥72 LED/ft ❌
SM31	3/8" / 1/2" [9mm/12mm]	11/16" [17mm]	1/2" [12mm] ✅	CL OP FR FR60	≥72 LED/ft ✅
SM33	7/16" [11mm]	15/16" [24mm]	1/2" [12mm] ✅	OP FR	≥72 LED/ft ✅
SM21	9/16"/13/16" [15mm/20mm]	11/16" [17mm]	1/2" [12mm] ✅	CL OP FR FR60	≥36 LED/ft ✅
SM26	13/16" [20mm]	11/16" [17mm]	3/8" [10mm] ✅	CL15 CL30 CL60	≥100 LED/ft ✅
SM25	13/16" [20mm]	13/16" [20mm]	3/8" [10mm] ✅	OP	≥72 LED/ft ✅
RI18	1-1/8" [28mm]	1" [26mm]	1/2" [12mm] ✅✅	SOP ROP	≥18 LED/ft ✅
RI17	1-3/8" [35mm]	1-3/8" [35mm]	1/2" [12mm] ✅✅	OP	≥18 LED/ft ✅
SM36	3/8" [10mm]	3/8" [10mm]	3/16" [4.5mm] ❌	FR	≥100 LED/ft ❌
SM35	5/8" [16mm]	5/8" [16mm]	3/8" [10mm] ✅	TROP AROP ARFR	≥72 LED/ft ✅
SM24	11/16" [18mm]	11/16" [18mm]	1/2" [12mm] ✅	CL OP FR	≥72 LED/ft ✅
SM37	1-1/8" [28mm]	1-5/16" [33mm]	1/2" [12mm] ✅	CL OP FR	≥72 LED/ft ✅
ME32	1/2" [12mm]	1/2" [13mm]	3/16" [4.5mm] ❌	FR	≥100 LED/ft ❌
SM32	5/16" [8mm]	7/8" [23mm]	1/2" [12mm] ✅	CL OP FR	≥72 LED/ft ✅
SM34	3/8" [10mm]	1-1/4" [31mm]	1/2" [12mm] ✅	OP FR	≥72 LED/ft ✅
SM22	9/16" [15mm]	7/8" [23mm]	1/2" [12mm] ✅	CL OP FR	≥36 LED/ft ✅
RI19	1-3/8" [35mm]	1-15/16" [50mm]	1/2" [12mm] ✅	OP	≥18 LED/ft ✅
FL31	9/16" [13mm]	7/8" [22mm]	1/2" [12mm] ❌	OP	≥72 LED/ft ❌
FL32	1" [26mm]	13/16" [21mm]	1/2" [12mm] ❌	OP	≥36 LED/ft ❌
RM31	9/16" [14mm]	2-1/4" [53mm]	3/8" [10mm] ✅	OP	≥36 LED/ft ✅
RM32	9/16" [14mm]	2-7/16" [62mm]	1/2" [12mm] ✅	OP	≥36 LED/ft ✅
RM33	3/4" [19mm]	3-7/16" [88mm]	1/2" [12mm] ✅✅	OP	≥36 LED/ft ✅
RM34	11/16" [18mm]	3-3/4" [96mm]	1/2" [12mm] ✅	OP	≥18 LED/ft ✅
RM35	11/16" [18mm]	5-1/4" [134mm]	1/2" [12mm] ✅	OP	≥18 LED/ft ✅

✅ Criteria met
 ✅✅ Fits 2 LED strips side by side
 ❌ Does not meet criteria
 - Does not meet a prior criteria

NY 15 Harbor Park Drive
Port Washington, NY 11050

Main Fax 800 527 7796
855 265 5768

CA 219 South 6th Ave
City of Industry, CA 91746

Main Fax 800 527 7796
855 265 5768

support@jescolighting.com
Tech Support 855 592 0029

CVX-COB

LED FLEXIBLE LINEAR
24V DC CHIP ON BOARD LED STRIP



Fixture Type	
Project	
Notes	

PLUG & PLAY POWER SUPPLIES



¹ 0-10 dimming required additional interface - LC-DIM5A
² Requires LC-RF-400 receiver and controller



MODEL	DL-PS-WP24/24	DL-PS-24/24	DL-PS-48/24	DL-PS-60/24	DL-PS-100/24
RATED POWER	24W	34W	48W	60W	100W
RATED CURRENT	1.0A	1.0A	2.0A	2.5A	3.8A
INPUT	120V AC	120V AC	120V AC	120V AC	120V AC
DC OUTPUT	24V DC	24V DC	24V DC	24V DC	24V DC
POWER FACTOR	0.80	0.80	0.84	0.80	0.90
WIDTH W	1-3/4"	1-1/2"	2"	1-1/2"	2-3/8"
LENGTH L	3-1/4"	3-1/2"	4-3/8"	4-3/8"	5-3/4"
HEIGHT H	1-1/4"	1"	1-1/8"	1-1/2"	1-1/4"



MODEL	DL-PS-60/24-CL2	DL-PS-90/24-CL2	DL-PS-100/24-CL2
RATED POWER	60W	90W	96W
RATED CURRENT	2.5A	3.8A	4.0A
INPUT	120V AC	120V AC	120V AC
DC OUTPUT	24V DC	24V DC	24V DC
POWER FACTOR	0.80	0.80	0.88
WIDTH W	2-1/16"	2-1/16"	2-3/4"
LENGTH L	5-1/8"	5-1/8"	7-7/8"
HEIGHT H	1-3/8"	1-3/8"	1-3/8"

¹ 0-10 dimming required additional interface - LC-DIM5A / ² Requires LC-RF-400 receiver and controller

ORDERING INFO

SERIES	WATTAGE / VOLTAGE / TYPE
DL-PS-	
	WP24/24 - 24 Watt 24 Volt wall-plug
	24/24 - 24 Watt 24 Volt wall-plug
	48/24 - 48 Watt 24 Volt wall-plug
	60/24 - 60 Watt 24 Volt wall-plug

ORDERING INFO

SERIES	WATTAGE / VOLTAGE	TYPE
DL-PS-		-CL2
	60/24 - 60 Watt 24 Volt wall-plug	
	90/24 - 90 Watt 24 Volt wall-plug	
	100/24 - 96 Watt 24 Volt wall-plug	

WIRING SCHEMATIC



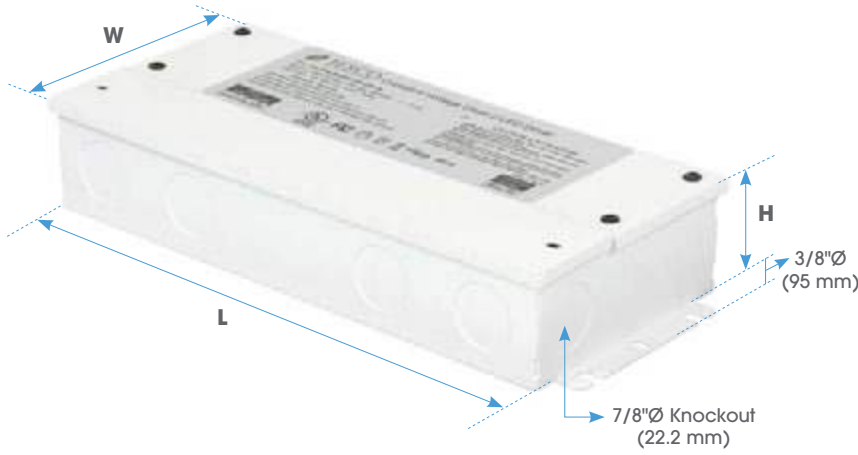
CVX-COB

LED FLEXIBLE LINEAR
24V DC CHIP ON BOARD LED STRIP



Fixture Type	
Project	
Notes	

HARDWIRE POWER SUPPLIES: DL-PS-XX/24-JB-OD-S

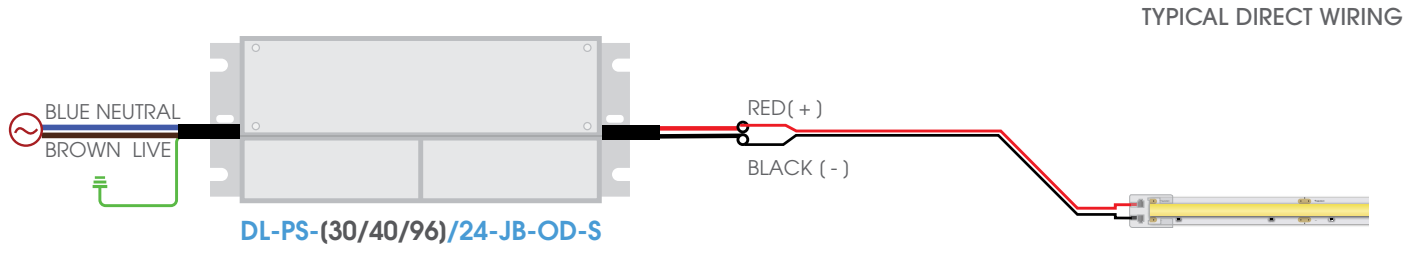


MODEL	DL-PS-30/24-JB-OD-S	DL-PS-60/24-JB-OD-S	DL-PS-96/24-JB-OD-S
RATED POWER	30W	60W	96W
RATED CURRENT	0.5A	2.5A	2.5A
INPUT	100-277V AC	100-277V AC	100-277V AC
DC OUTPUT	24V DC	24V DC	24V DC
VOLTAGE TOLERANCE	±0.5%	±0.5%	±0.5%
POWER FACTOR @120V AC	0.99	0.99	0.99
POWER FACTOR @277V AC	0.96	0.94	0.94
WIDTH W	3-3/4"	3-3/4"	3-3/4"
LENGTH L	6"	6-7/8"	8-1/8"
HEIGHT H	1-3/4"	1-3/4"	1-3/4"

ORDERING INFO

SERIES	WATTAGE / VOLTAGE	TYPE
DL-PS-		-JB-OD-S
	30/24 - 30 Watt 24V	Hardwire Electronic LED
	60/24 - 60 Watt 24V	Power Supply in Junction
	96/24 - 96 Watt 24V	Box Enclosure

WIRING SCHEMATIC



CVX-COB

LED FLEXIBLE LINEAR
24V DC CHIP ON BOARD LED STRIP



Fixture Type	
Project	
Notes	

HARDWIRE POWER SUPPLY: DL-PS-96/24-HWD

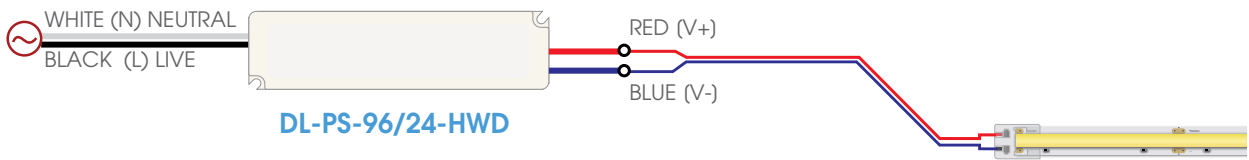


MODEL	DL-PS-96/24-HWD
RATED POWER	96W
RATED CURRENT	4A
INPUT	120-277V AC
DC OUTPUT	24V DC
VOLTAGE TOLERANCE	±0.5%
POWER FACTOR	>0.95
WIDTH W	1-11/16"
LENGTH L	9-1/2"
HEIGHT H	1"

ORDERING INFO

SERIES	WATTAGE / VOLTAGE	TYPE
DL-PS-	96/24	-HWD
	96/24 - 96 Watt 24V	Hardwire Electronic LED Power Supply

WIRING SCHEMATIC



CVX-COB

LED FLEXIBLE LINEAR
24V DC CHIP ON BOARD LED STRIP



Fixture Type	
Project	
Notes	

UNIVERSAL DIMMING POWER SUPPLY WITH JUNCTION BOX

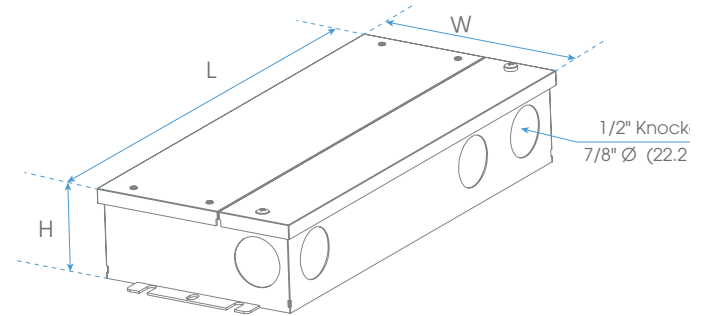


ORDERING INFO

SERIES	WATTAGE / VOLTAGE	TYPE
DL-PS-		- JB-OD-UNI-DIM
	30/24 - 30 Watt 24V	Outdoor rated
	60/24 - 60 Watt 24V	Universal Dimmable
	96/24 - 96 Watt 24V	Power Supply with
	96 x 2 /24 - 96 x 2 Watt 24V	Junction Box
	96 x 3 /24 - 96 x 3 Watt 24V	
	96 x 4 /24* - 96 x 4 Watt 24V	



**CLASS 2
TYPE HL**

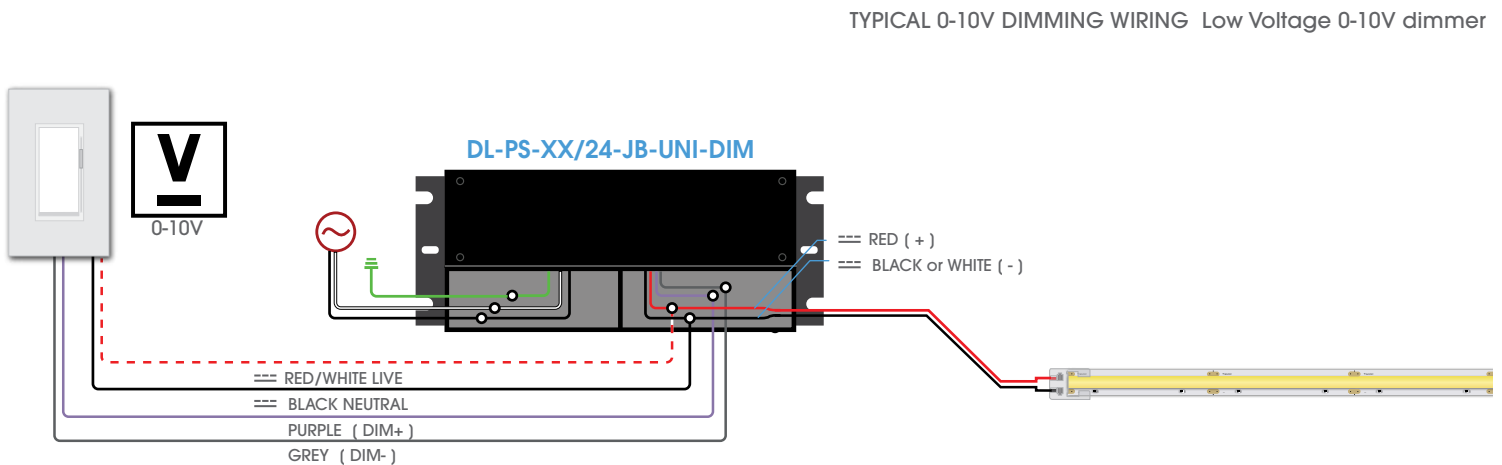
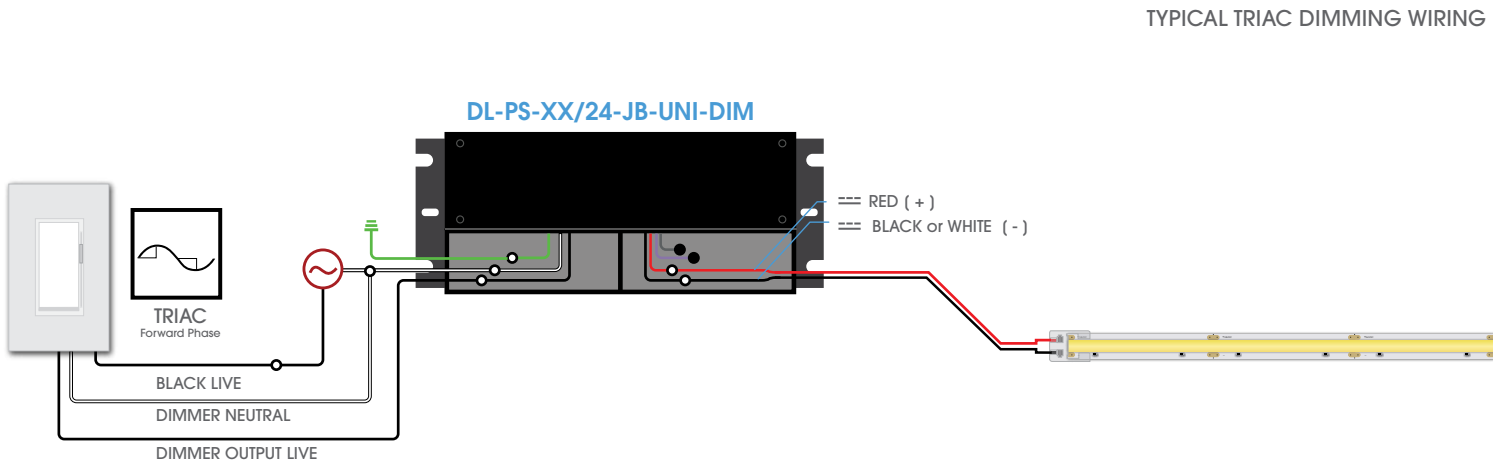
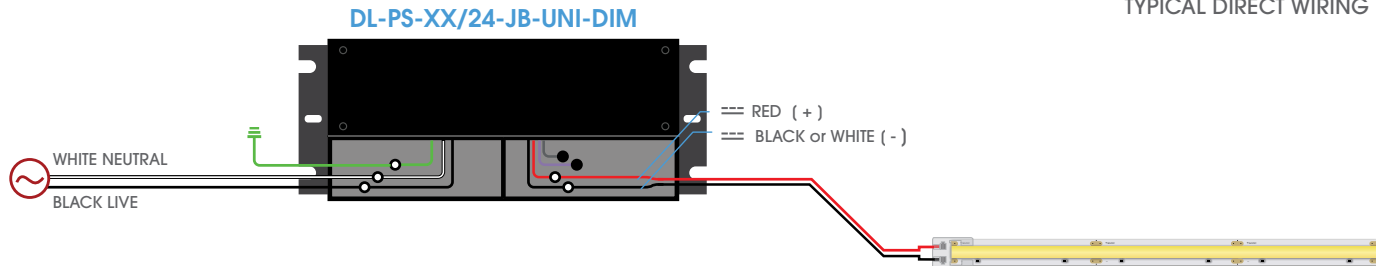


	30 W	60 W	96 W	192 W	288 W	384 W
RATED POWER						
RATED CURRENT	1.3A	2.5A	4.0A	2x4.00A	3x4.00A	4x4.00A
INPUT	100-277V AC	100-277V AC	100-277V AC	100-277V AC	100-277V AC	100-277V AC
DC OUTPUT	24V DC	24V DC	24V DC	24V DC	24V DC	24V DC
VOLTAGE TOLERANCE	±0.5V	±0.5V	±0.5V	±0.5V	±0.5V	±0.5V
LOAD REGULATION	±1%	±1%	±1%	±1%	±1%	±1%
VOLTAGE REGULATION	±0.5%	±0.5%	±0.5%	±0.5%	±0.5%	±0.5%
POWER FACTOR 120 AC	0.99%	0.99%	0.99%	0.99%	0.99%	0.99%
POWER FACTOR 277V AC	0.94%	0.94%	0.94%	0.94%	0.94%	0.94%
WIDTH W	3-3/4"	3-11/16"	3-11-16"	4-5/16"	4-5/16"	5-1/2"
LENGTH L	6-1/2"	7-3/8"	8-11/16"	10-15/16"	11-7/8"	12-11/16"
HEIGHT H	1-9/16"	1-9/16"	1-9/16"	1-3/4"	1-3/4"	1-7/8"

*Consult factory on MOQ and lead time.

Fixture Type	
Project	
Notes	

UNIVERSAL DIMMING POWER SUPPLY WITH JUNCTION BOX WIRING SCHEMATICS



Fixture Type	
Project	
Notes	

DIMMER COMPATIBILITY - DL-PS-[XX/24]-JB-OD-UNI-DIM

BRAND	MODEL	DIMMING TYPE	INPUT RANGE	DIMMING RANGE
LUTRON®	SCL-153PR-WH	TRIAC Forward Phase	100-130V	0-100%
	DVCL-153PR-WH	TRIAC Forward Phase	100-130V	0-100%
	DVWCL-153PH-LA	TRIAC Forward Phase	100-130V	0-100%
	CTCL-153PDH-LA	TRIAC Forward Phase	100-130V	0-100%
	TGCL-153PR-WH	TRIAC Forward Phase	100-130V	0-100%
	TGCL-153PH-WH	TRIAC Forward Phase	100-130V	0-100%
	MACL-153MH-LA	TRIAC Forward Phase	100-130V	20-100%
	CT-600PR-IV	TRIAC Forward Phase	100-130V	0-100%
	CT-600PR-WH	TRIAC Forward Phase	100-130V	0-100%
	CT-103PR-WH	TRIAC Forward Phase	100-130V	2-100%
	DV-600PR-BL	TRIAC Forward Phase	100-130V	0-100%
	DV-600PR-WH	TRIAC Forward Phase	100-130V	0-100%
	MIR-600M	TRIAC Forward Phase	100-130V	2-100%
	TG-600PR-LA	TRIAC Forward Phase	100-130V	4-100%
	TG600PR-IV	TRIAC Forward Phase	100-130V	0-100%
	TG-600PR-WH	TRIAC Forward Phase	100-130V	0-100%
	TG-10PR-WH	TRIAC Forward Phase	100-130V	0-100%
	S-600PR-WH	TRIAC Forward Phase	100-130V	0-100%
	MRF2-6ND-120-AL	TRIAC Forward Phase	100-130V	0-100%
	MSCELV-600M	TRIAC Forward Phase	100-130V	0-100%
	MEF2-6ELV-120	TRIAC Forward Phase	100-130V	0-100%
	MRF2-6CL-GR	TRIAC Forward Phase	100-130V	15-100%
	DZ6HD	TRIAC Forward Phase	100-130V	22-100%
	PD-6WCL	TRIAC Forward Phase	100-130V	20-100%
	PD-5NE-WH	TRIAC Forward Phase	100-130V	18-100%
	NLV-600-277-WH	TRIAC Forward Phase	277V	1-100%
	ST-12P-277	TRIAC Forward Phase	277V	12-100%
	NTF-10-277	TRIAC Forward Phase	277V	1-100%
	DVELV-300P	ELV Reverse Phase	100-130V	15-100%
	SELV-300P	ELV Reverse Phase	100-130V	15-100%
DVSTV-WH	0-10V	120-277V	9-100%	
DVTV-WH	0-10V	120-277V	9-100%	
LEVITON®	VP106-1LZ	TRIAC Forward Phase	100-130V	15-100%
	TT106-1LZ	TRIAC Forward Phase	100-130V	1-100%
	IPL06	TRIAC Forward Phase	100-130V	15-100%
	DZ6HD	TRIAC Forward Phase	100-130V	17-100%
	TBL03	TRIAC Forward Phase	100-130V	15-100%
	6672	TRIAC Forward Phase	100-130V	20-100%
	6602	TRIAC Forward Phase	100-130V	0-100%
	6674	TRIAC Forward Phase	100-130V	16-100%
	6683	TRIAC Forward Phase	100-130V	10-100%
	AWSMT-EAW	ELV Reverse Phase	100-130V	0-100%
	AWSMT-EAW	ELV Reverse Phase	277V	0-100%
LEGRAND®	RHCL453PNICCV6	TRIAC Forward Phase	100-130V	6-100%
	WSCL450TCCCV4	TRIAC Forward Phase	100-130V	11-100%
	LSCL453PLACCV4	TRIAC Forward Phase	100-130V	11-100%
CRESTRON®	CLW-DELVEX-P-W-S	ELV Reverse Phase	100-130V	11-100%
EATON	DF10P-C1	0-10V	100-277V	5-100%

CVX-COB

LED FLEXIBLE LINEAR
24V DC CHIP ON BOARD LED STRIP



Fixture Type	
Project	
Notes	

UNIVERSAL DIMMING POWER SUPPLY WITH JUNCTION BOX



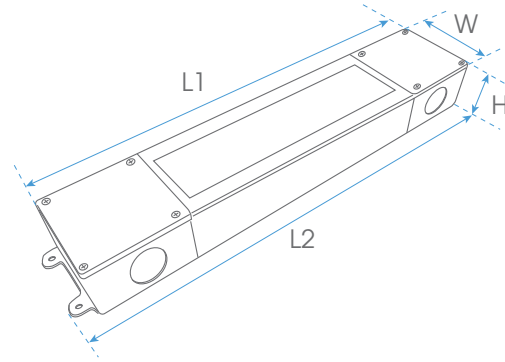
ORDERING INFO

SERIES	WATTAGE / VOLTAGE	TYPE
DL-PS-	60 / 24 - 60 Watt 24V 96 / 24 - 96 Watt 24V	- JB-OD-DIM Dimmable Power Supply with Junction Box



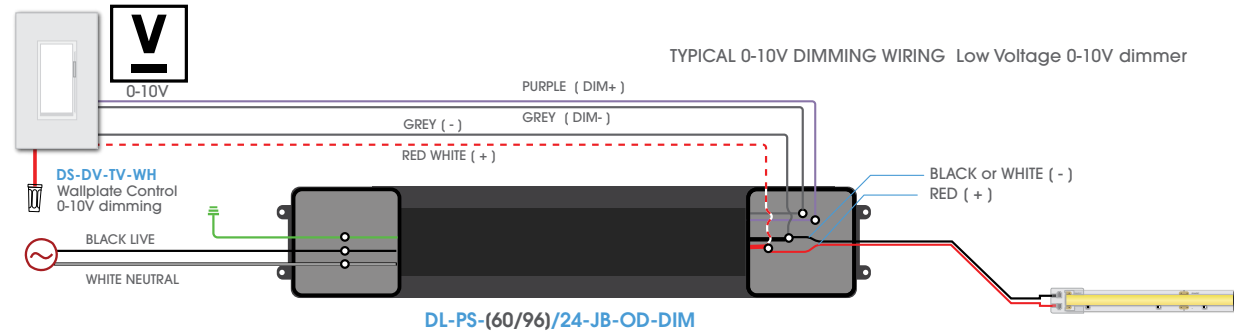
CLASS 2
CLASS P

MODEL	DL-PS-60/24-JB-OD-DIM	DL-PS-60/24-JB-OD-DIM
RATED POWER	60 W	96 W
RATED CURRENT	2.6A	4.1A
INPUT	120-277V AC	120-277V AC
DC OUTPUT	24V DC	24V DC
POWER FACTOR	>0.87	>0.95
WIDTH W	2-3/8"	2-3/8"
LENGTH L1	11-7/16"	11-7/16"
LENGTH L2	12-1/8"	12-1/8"
HEIGHT H	1-3/8"	1-3/8"



* Consult factory on MOQ and lead time.

WIRING SCHEMATICS



BRAND	MODEL	DIMMING TYPE	INPUT WITH ON/OFF CTRL	DIMMING RANGE
LUTRON®	DIVA - DVTV	0-10V	24V PC	1% - 100%
	NOVA T-NFTV	0-10V	PP-20 Power Pack	1% - 100%
	NOVA T-NFTV	0-10V	PP-20 Power Pack	1% - 100%
LEVITON®	IP710	0-10V	120-277V AC	1% - 100%
LEGRAND®	DCLV1	0-10V	24V DC	1% - 100%
PHILIPS	SR1200ZTUNV	0-10V	120-277V AC	1% - 100%

CVX-COB

LED FLEXIBLE LINEAR
24V DC CHIP ON BOARD LED STRIP



Fixture Type	
Project	
Notes	

HARDWIRE POWER SUPPLIES

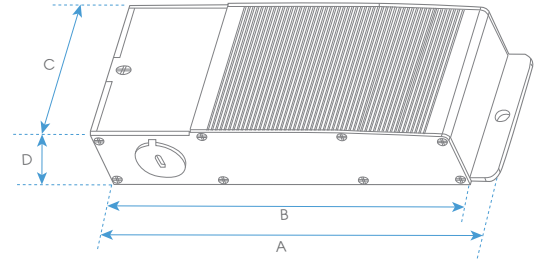


ORDERING INFO

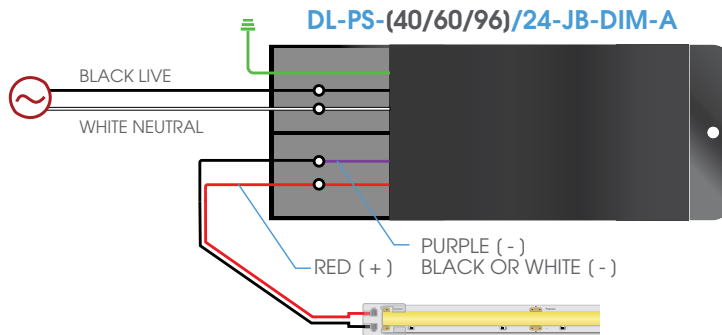
SERIES	WATTAGE / VOLTAGE	TYPE
DL-PS-		-JB-DIM-A
	40/24 - 40 Watt 24V	Hardwire Electronic LED Power Supply in Junction Box Enclosure
	60/24 - 60 Watt 24V	
	96/24 - 96 Watt 24V	



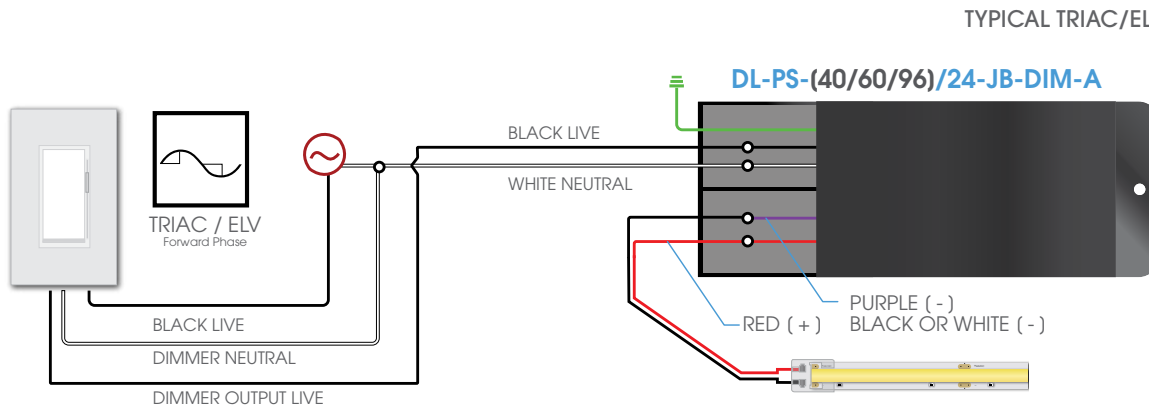
MODEL	DL-PS-40/24-JB-DIM-A	DL-PS-60/24-JB-DIM-A	DL-PS-96/24-JB-DIM-A
RATED POWER	40W	60W	96W
RATED CURRENT	1.67A	2.5A	4A
INPUT	100-277V AC	100-277V AC	100-277V AC
DC OUTPUT	24V DC	24V DC	24V DC
VOLTAGE TOLERANCE	±0.5%	±0.5%	±0.5%
POWER FACTOR @120V AC	0.46	0.68	1.1
POWER FACTOR @277V AC	0.9	0.9	0.9
WIDTH W	2-3/4"	2-3/4"	2-3/4"
LENGTH L	7"	7"	7"
HEIGHT H	1-3/8"	1-3/8"	1-3/8"



WIRING SCHEMATICS



TYPICAL DIRECT WIRING



TYPICAL TRIAC/ELV DIMMING WIRING

NOTE: wiring must be done following local and NEC codes

CVX-COB

LED FLEXIBLE LINEAR
24V DC CHIP ON BOARD LED STRIP



Fixture Type	
Project	
Notes	

UNIVERSAL DIMMING POWER SUPPLY WITH JUNCTION BOX



ORDERING INFO

SERIES WATTAGE / VOLTAGE / TYPE

DL-PS-

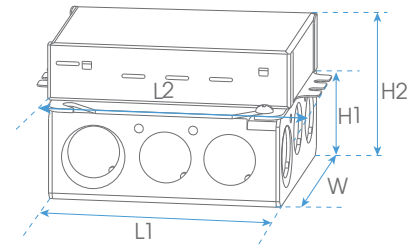
L3DAE - Hi-Lume 1% EcoSystem

L3DA3W - Hi-Lume 1% 3-wire

LTEA2W - Hi-Lume 1% 2-wire
(120V forward phase only)



MODEL	DL-PS-63DAE	DL-PS-63DA3W	DL-PS-LTE2W
RATED POWER	40 W	40 W	40 W
RATED CURRENT	2.0A	2.0A	2.0A
INPUT	120-277V AC	120-277V AC	120V AC
DC OUTPUT	24V DC	24V DC	24V DC
POWER FACTOR	0.90	0.90	0.90
MIN. LOAD	5 W	5 W	+0.5%
WIDTH W	4"	4"	4"
LENGTH L1	4"	4"	4"
LENGTH L2	4-7/8"	4-7/8"	4-7/8"
HEIGHT H1	1-5/8"	1-5/8"	1-5/8"
HEIGHT H2	2-5/8"	2-5/8"	2-5/8"



ORDERING INFO

SERIES WATTAGE / VOLTAGE / TYPE

DL-PS-

L3D0E - Hi-lume Premier

0.1% Soft On / Fade-to-Black

L3D3W - Hi-lume Premier

0.1% 3 wire

MODEL	DL-PS-L3D0E	DL-PS-L3D3W
RATED POWER	96 W	96 W
RATED CURRENT	2.0A	2.0A
INPUT	120-277V AC	120-277V AC
DC OUTPUT	24V DC	24V DC
POWER FACTOR	0.90	0.90
MIN. LOAD	2 W	2 W
WIDTH W	5-1/2"	5-1/2"
LENGTH L	10-1/2"	10-1/2"
HEIGHT H	2"	2"

