

## Frame 4xHC250-M (invers)

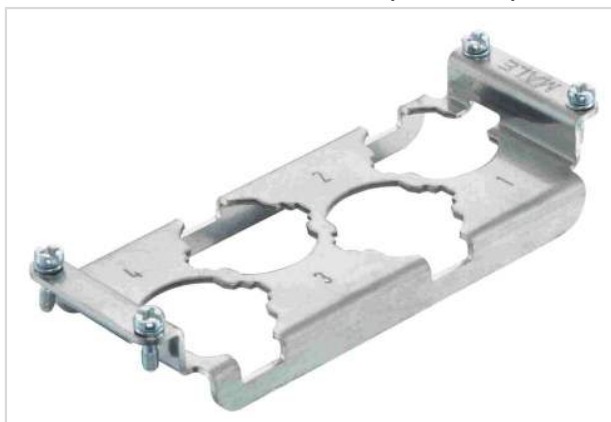


Image is for illustration purposes only. Please refer to product description.

Part number	09 11 000 9941
Specification	Frame 4xHC250-M (invers)
HARTING eCatalogue	<a href="https://b2b.harting.com/09110009941">https://b2b.harting.com/09110009941</a>

### Identification

Category	Accessories
Series of hoods/housings	Han <sup>®</sup> HPR
Type of accessory	Frame
Description of the accessory	for male inserts 4x Han <sup>®</sup> HC Modular 250

### Version

Size	24 B
------	------

### Technical characteristics

Tightening torque	0.5 Nm Fixing screws M3
-------------------	-------------------------

### Material properties

Material (accessories)	Metal
RoHS	compliant
ELV status	compliant
China RoHS	e
REACH Annex XVII substances	Not contained
REACH ANNEX XIV substances	Not contained
REACH SVHC substances	Not contained
California Proposition 65 substances	Yes
California Proposition 65 substances	Nickel



**Pushing Performance**  
Since 1945

## Commercial data

Packaging size	1
Net weight	56.7 g
Country of origin	Germany
European customs tariff number	85389099
GTIN	5713140193864
eCl@ss	27440210 Fixing element for industrial connectors