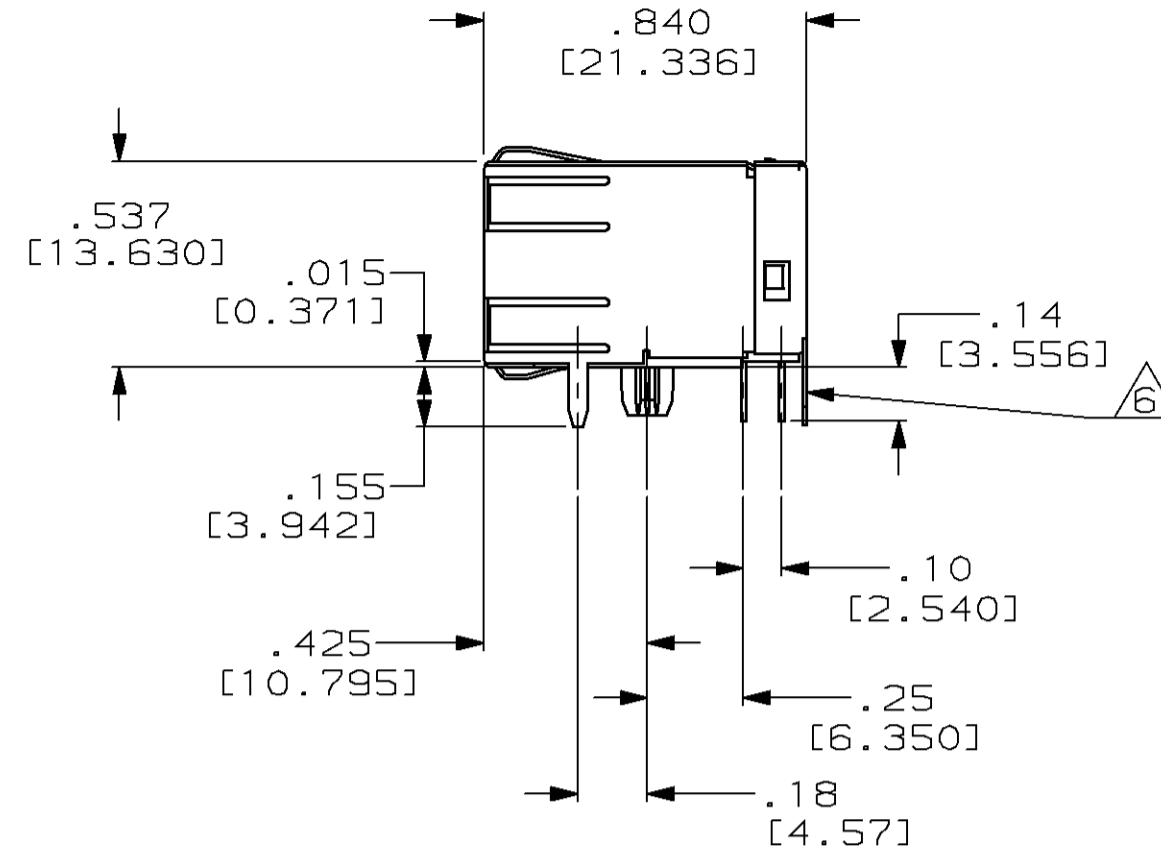
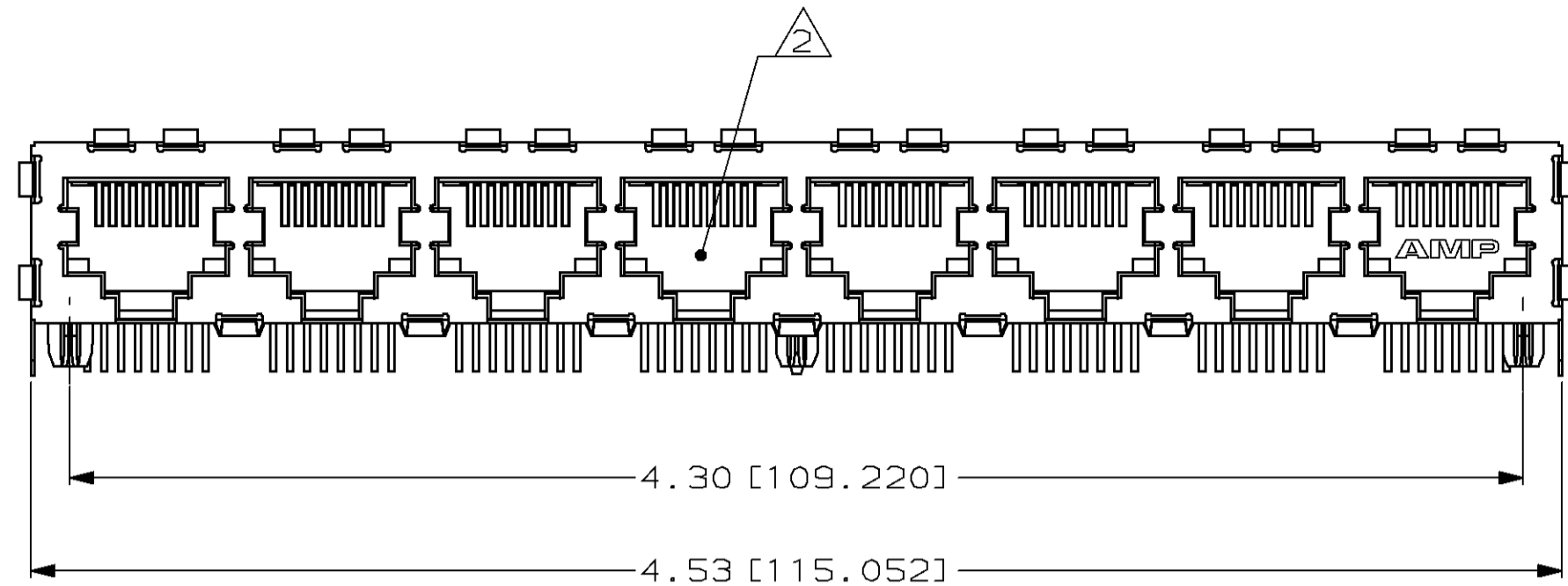
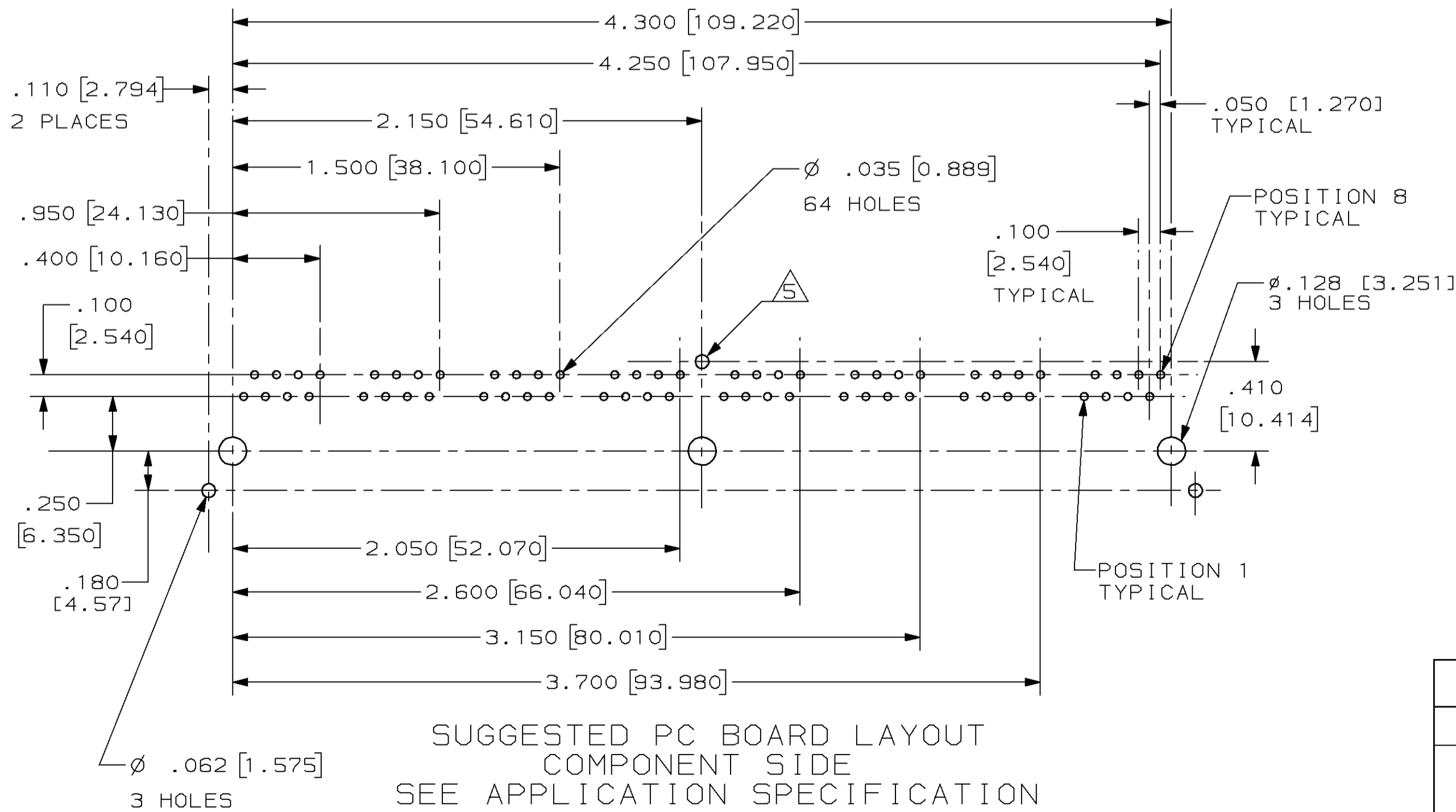


THIS DRAWING IS UNPUBLISHED. RELEASED FOR PUBLICATION
 BY AMP INCORPORATED. ALL RIGHTS RESERVED.

LOC	DIST	REVISIONS				
		P	LTR	DATE	DWN	APVD
AA	22	A	REV; EC 0502-0734-97	24NOV97	DS	DW



- 1 MATERIAL:
 HOUSING - NYLON, BLACK, UL94V-0.
 OVERMOLDED TERMINAL ARRAY - PBT, BROWN.
 TERMINALS-.013 [0.33] THICK PHOS BRONZE
 PLATED WITH .000050 [1.27μm] THICK HARD
 GOLD IN LOCALIZED AREA AND .000150 [3.81μm]
 THICK TIN-LEAD IN SOLDER AREA OVER .000050
 [1.27μm] THICK NICKEL UNDERPLATE.
 SHIELD-.010 [0.254] THICK COPPER ALLOY
 PLATED WITH .000080 [2.03μm] MINIMUM
 TIN-LEAD OVER .000100 [2.54μm] MINIMUM
 COPPER.
- 2 JACK CAVITY COMFORMS TO FCC RULES AND
 REGULATIONS, PART 68 SUBPART F.
3. ALL DIMENSIONS SHOWN ARE NOMINAL UNLESS
 OTHERWISE SPECIFIED.
4. ALL DIMENSIONS SHOWN IN BRACKETS [] ARE
 IN MILLIMETERS.
- 5 THIS HOLE IS NEEDED FOR -1 ONLY.
- 6 THIS TAB REMOVED ON -2.



WITHOUT REAR PC BOARD GROUND TAB	406491-2
WITH REAR PC BOARD GROUND TAB	406491-1
DESCRIPTION	PART NO.

THIS DRAWING IS A CONTROLLED DOCUMENT FOR AMP INCORPORATED. IT IS SUBJECT TO CHANGE AND THE CONTROLLING ENGINEERING ORGANIZATION SHOULD BE CONTACTED FOR THE LATEST REVISION.		DWN V. SLACK 13MAR92	AMP Incorporated Harrisburg, PA 17105-3608	
DIMENSIONS: INCHES [mm]	TOLERANCES UNLESS OTHERWISE SPECIFIED:	CHK B. FOX 10JUN92		
	0 PLC ±-	APVD G. REED 15JUN92		
	1 PLC ±-	NAME V. SLACK	MODULAR JACK ASSEMBLY, PANEL	
	2 PLC ±.01 [0.254]	PRODUCT SPEC 108-1392	GROUND, 8 PORT, 8 POSITION,	
MATERIAL	3 PLC ±.005 [0.127]	APPLICATION SPEC 114-2048	SIZE A2	CAGE CODE 00779
	4 PLC ±-	FINISH	DRAWING NO C=406491	SCALE 2:1
	ANGLES ±-	WEIGHT -	SHEET 1 OF 1	REV A
		CUSTOMER DRAWING		