

1658537-2 ✓ ACTIVE



AMPLIMITE

TE Internal #: 1658537-2

D-Sub Connector Contacts, Socket, Contact Size Size 20, Phosphor

Bronze, Gold Flash, Crimp, 24 – 20 AWG Wire Size, .2 – .6 mm<sup>2</sup>

Wire Size, Wire & Cable

[View on TE.com >](#)

Connectors > D-Shaped Connectors > D-Sub Connector Contacts > D-Sub Conn Contacts: Socket, Phosphor Bronze, Signal, Size 20



Contact Type: **Socket**

Contact Size: **Size 20**

Contact Base Material: **Phosphor Bronze**

Contact Mating Area Plating Material: **Gold Flash**

Termination Method to Wire & Cable: **Crimp**

[All D-Sub Conn Contacts: Socket, Phosphor Bronze, Signal, Size 20 \(56\)](#)

### Features

#### Product Type Features

Connector & Contact Terminates To	Wire & Cable
-----------------------------------	--------------

#### Contact Features

	100 μin
PCB Contact Termination Area Plating Material	Tin
Contact Type	Socket
Contact Size	Size 20
Contact Base Material	Phosphor Bronze
Contact Mating Area Plating Material	Gold Flash
Contact Current Rating (Max)	2 A

#### Termination Features

Termination Method to Wire & Cable	Crimp
------------------------------------	-------

#### Mechanical Attachment

--	--



Contact Retention Type Within Housing	Snap-In
---------------------------------------	---------

Wire Insulation Support	With
-------------------------	------

### Dimensions

	.06 in
--	--------

Compatible Insulation Diameter Range	1.27 – 1.52 mm [.05 – .06 in]
--------------------------------------	-------------------------------

Wire Size	.2 – .6 mm <sup>2</sup>
-----------	-------------------------

### Usage Conditions

Operating Temperature Range	-55 – 105 °C [-67 – 221 °F]
-----------------------------	-----------------------------

### Operation/Application

Circuit Application	Signal
---------------------	--------

### Identification Marking

Contact Color Code	Red
--------------------	-----

### Packaging Features

Packaging Quantity	1000
--------------------	------

Packaging Method	Loose Piece
------------------	-------------

### Product Compliance

[For compliance documentation, visit the product page on TE.com>](#)

EU RoHS Directive 2011/65/EU	Compliant
------------------------------	-----------

EU ELV Directive 2000/53/EC	Compliant
-----------------------------	-----------

China RoHS 2 Directive MIIT Order No 32, 2016	No Restricted Materials Above Threshold
---	---

EU REACH Regulation (EC) No. 1907/2006	Current ECHA Candidate List: JUNE 2023 (235) Candidate List Declared Against: JUNE 2023 (235) Does not contain REACH SVHC
--	---

Halogen Content	Low Halogen - Br, Cl, F, I < 900 ppm per homogenous material. Also BFR/CFR/PVC Free
-----------------	---

Solder Process Capability	Not applicable for solder process capability
---------------------------	--

#### Product Compliance Disclaimer

This information is provided based on reasonable inquiry of our suppliers and represents our current actual knowledge based on the information they provided. This information is subject to change. The part numbers that TE has identified as EU RoHS compliant have a maximum concentration of 0.1% by weight in homogenous materials for lead, hexavalent chromium, mercury, PBB, PBDE, DBP, BBP, DEHP, DIBP, and 0.01% for cadmium, or qualify for an exemption to these limits as defined in the Annexes of Directive 2011/65/EU (RoHS2). Finished electrical and electronic equipment products will be CE marked as required by Directive 2011/65/EU. Components may not be CE marked. Additionally, the part

numbers that TE has identified as EU ELV compliant have a maximum concentration of 0.1% by weight in homogenous materials for lead, hexavalent chromium, and mercury, and 0.01% for cadmium, or qualify for an exemption to these limits as defined in the Annexes of Directive 2000/53/EC (ELV). Regarding the REACH Regulation, the information TE provides on SVHC in articles for this part number is based on the latest European Chemicals Agency (ECHA) 'Guidance on requirements for substances in articles' posted at this URL: <https://echa.europa.eu/guidance-documents/guidance-on-reach>

## Compatible Parts



TE Part # CAT-AM71-C83998M  
CPC Connectors, Series 2



TE Part # CAT-AM71-C83998BB  
CPC SERIES 3



TE Part # 91503-1  
CCII AMPLIMITE 20 DF PIN SKT 28-20 ASSY



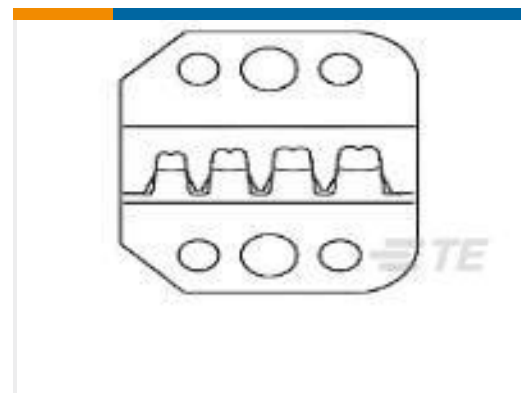
TE Part # 1579007-9  
EXTRACTION TOOL



TE Part # 91285-1  
INSERT/EXTRACT TOOL ASSEMBLY



TE Part # 58448-2  
PRO CR. ASSY AMPLIMITE IS 9357



TE Part # 58448-3  
PRO-CRIMPER DIE

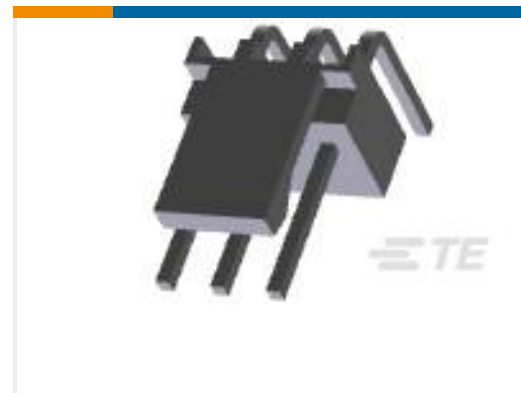
## Customers Also Bought



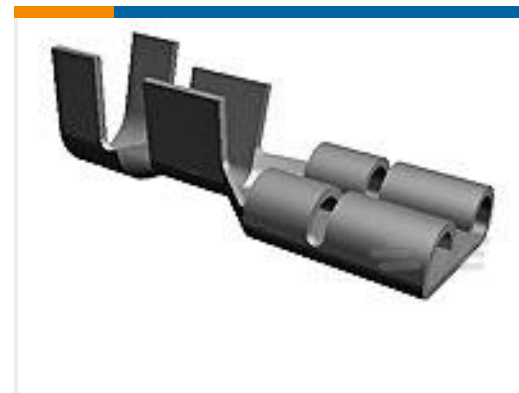
TE Part #6609068-8  
50AYA6A=F7748A



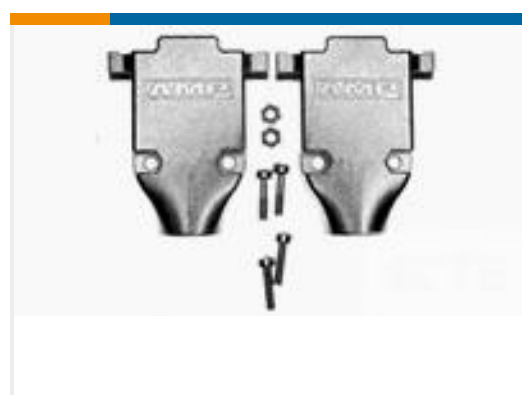
TE Part #208493-1  
CMC RECEPTACLE ASSY,SIZE 22



TE Part #3-647630-3  
03P MTA100 HRD ASSY F/L LF



TE Part #63537-2  
250 FASTON REC 18-14 TPBR



TE Part #5745175-3  
CABLE CLAMP KIT,SZ 5



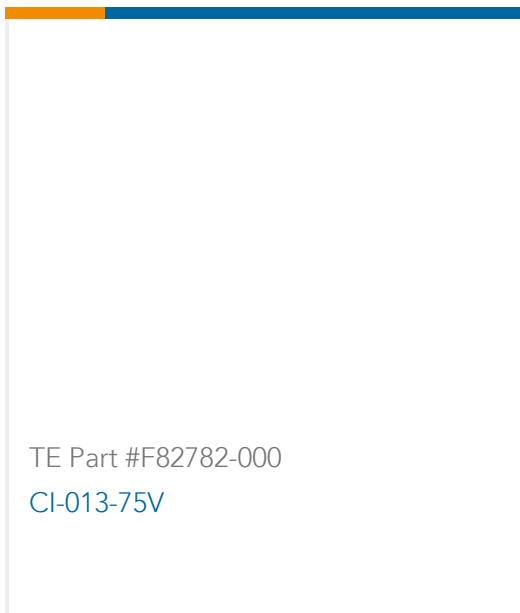
TE Part #1776302-1  
TSB100001DS=EUROPA TM BLK, 12MM



TE Part #41481  
250 FASTON TAB TPBR



TE Part #2376591-2  
250 FASTON PCB TAB TPBR



## Documents

### Product Drawings

[SOCKET CONT DUPL PLT LP HD-20](#)

English

### CAD Files

[3D PDF](#)

3D

[Customer View Model](#)

[ENG\\_CVM\\_CVM\\_1658537-2\\_D.2d\\_dxf.zip](#)

English

[Customer View Model](#)

[ENG\\_CVM\\_CVM\\_1658537-2\\_D.3d\\_igs.zip](#)

English

[Customer View Model](#)

[ENG\\_CVM\\_CVM\\_1658537-2\\_D.3d\\_stp.zip](#)

English

By downloading the CAD file I accept and agree to the [Terms and Conditions](#) of use.

### Datasheets & Catalog Pages

[AMP Circular Connectors for Commercial Signal & Power Applications](#)

English

[Signal Contacts](#)

English

[AMPLIMITE Subminiature D Connectors - Cable Connectors](#)

English

[AMPLIMITE Cable Connectors and Shielding Hardware Kits QRG](#)

English

### Product Specifications

[Application Specification](#)

English

[Application Specification](#)

English

### Product Environmental Compliance

[Product Compliance](#)



English

[Product Compliance](#)

English

---

[Instruction Sheets](#)

[Instruction Sheet \(U.S.\)](#)

English