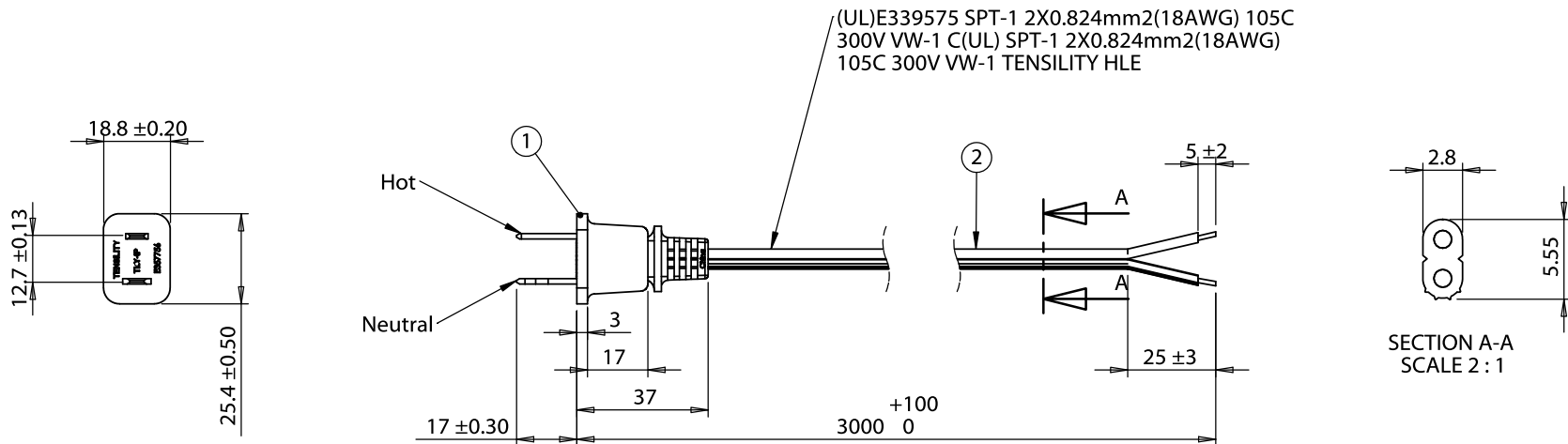


ITEM NO.	PART NUMBER	DESCRIPTION	QTY.	NOTES
1	TLY-1P	NEMA 1-15P, polarized	1	black overmold
2	30-00242	2C, 18 AWG, UL SPT-1, 300V, 105°C, 5.55 mm, VW-1, PVC	1	terminates to stripped and tinned



Wiring diagram	
TLY-1P	Wire
Neutral	Grooved
Hot	Smooth

Revision	Date	Description	Prepared by:	Notes:	<h1>TENSILITY</h1> <p>20802 Sockeye Place #130 Bend, OR 97701 USA tel 541.323.3228 fax 541.323.4202 800 877.670.7118 www.tensility.com</p>				
A	9/15/2014	Initial release	AG 2014.09.15 10:21:15 -07'00'	Cable rated for 10 A at 125 Vac as is. RoHS compliant					
			Verified by: JM 2014.09.15 10:21:31 -07'00'	Function test: no open, no reversed polarity, no short circuit, no INT					
			DIMENSIONS ARE IN MILLIMETERS TOLERANCES: X: ± 0.5 mm X.X: ± 0.3 mm X.XX: ± 0.05 mm	Description: Ac cord, 3000 mm, U.S, NEMA 1-15P plug, TLY-1P to tinned, 18 AWG, SPT-1 wire, 30-00242	<table border="1"> <tr> <td>SIZE</td> <td>Part number</td> </tr> <tr> <td>A</td> <td>11-00073</td> </tr> </table>	SIZE	Part number	A	11-00073
SIZE	Part number								
A	11-00073								
					<table border="1"> <tr> <td>SCALE: 1:2</td> <td>WEIGHT:</td> <td>SHEET 1 OF 1</td> </tr> </table>	SCALE: 1:2	WEIGHT:	SHEET 1 OF 1	
SCALE: 1:2	WEIGHT:	SHEET 1 OF 1							