



## ELECTRO-TAP CABLE CONNECTOR/SPLICE

### DESCRIPTION

The AMP ELECTRO-TAP connector utilizes insulation displacement type self-stripping contacts which provide faster, easier tapping than the conventional twist or other type splices. After four simple steps you have a fast, reliable connection on solid or stranded wires 20-10 AWG (.160-.195 max. insulation diameter). There is no special tooling required--ordinary pliers are all that are needed.

Each AMP ELECTRO-TAP connector is constructed of durable nylon with self-stripping, tin-plated brass contacts.

These connectors have a wide range of wiring applications in both low- and high-voltage usage. Some typical applications include:

- Fixtures
- Automotive wiring
- Boat and trailer systems
- Control panels
- Tractors and trailers
- Open slice wiring
- Mobile homes
- Low voltage switching systems
- Plant maintenance
- School bus
- Stereo and speaker wiring
- Trailer hitches
- Equipment manufacturers
- Harness repair
- Garage repair work
- Hobby wiring
- Auto dealers

# ELECTRO-TAP Cable Connector/Splice

## PRODUCT FACTS

- Tap wire installed separately
- No wire stripping or cutting of run wires
- No special tools
- Permanent lock
- Self-extinguishing
- Generous lead-in
- Short overall length
- Built-in wire stop
- Works on solid or stranded wire
- Tap pre-assembly possible
- Isolated metal contacts

## TECHNICAL DATA

**Housing Material:** Nylon, color-coded

**Contact Material:** Brass, tin plated

**Carrying Capacity:** according wire cross section

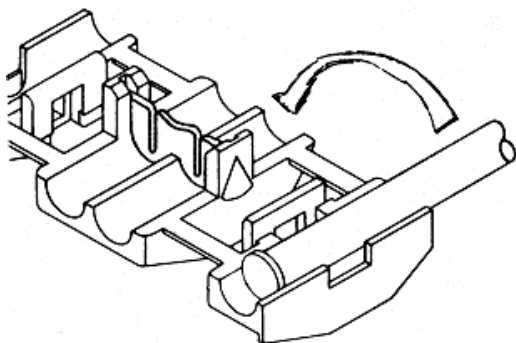
**Chemical Properties:** Has nylon solvent and chemical resistive properties

TCPN	Colour	Wire size (AWG)	Wire Size (MMSQ)	Length (MM)	Splice Material	NEW Housing Material	Pack Type	Unit Packaging Method	Unit Packaging Quantity	Shipper Qty & Type
1971029-1	Natural	18.5 - 18	0.75 - 1	24	Phosphor Bronze	Nylon	Small Pack	Box	40	480 - CARTON
1939636-2	Natural	18.5 - 18	0.75 - 1	24	Phosphor Bronze	Nylon	Small Pack	Box	56	672 - CARTON
1939636-3	Blue	18.5 - 18	0.75 - 1	24	Phosphor Bronze	Nylon	Small Pack	Box	56	672 - CARTON
1939636-4	Yellow	14	2	24	Phosphor Bronze	Nylon	Small Pack	Box	56	672 - CARTON
1939636-1	Red	13	2.5	24	Phosphor Bronze	Nylon	Small Pack	Box	56	672 - CARTON
177766-1	Natural	24 - 22	0.2 - 0.4	12	Brass	Nylon	Bulk Pack	Bag	500	8000 - BOX
177766-2	Natural	24 - 22	0.2 - 0.4	12	Phosphor Bronze	Nylon	Bulk Pack	Bag	500	8000 - Box
7-1856389-7	Red	22 - 20	0.5 - 0.75	17.5	Brass	Nylon	Small Pack	Box	100	100 - Box
2133471-1	Natural	20 - 18.5/ 17 - 13	0.5 - 0.8/ 1.0 - 2.5	17.5	Brass	Nylon	Small Pack	Box	100	100 - Box
626437-4	Red	20 - 18	0.5 - 0.8	17.5	Brass	Nylon	Small Pack	Box	100	100 - Box
171425-1	Red	20 - 18	0.5 - 0.9	17.5	Brass	Nylon	Small Pack	Bag	100	4000 - Box
735410	Red	20 - 18	0.5 - 0.9	17.5	Brass	Nylon	Small Pack	Bag	100	200 - Box
53440-2	Red	20 - 18	0.5 - 0.9	17.5	Brass	Nylon	Bulk Pack	Carton	1000	1000 - Box
7-1856389-6	Blue	17 - 13	1 - 2.5	17.5	Brass	Nylon	Small Pack	Box	100	100 - Box
53440-1	Blue	18 - 14	0.8 - 2	17.5	Brass	Nylon	Bulk Pack	Carton	1000	1000 - Box
171404-1	Blue	16 - 14	1.25 - 2	18	Brass	Nylon	Small Pack	Bag	100	4000 - Box
2133461-1	Green	17 - 13	1 - 2.5	17.5	Brass	Nylon	Small Pack	Box	100	100 - Box
626437-1	Blue	17 - 13	1 - 2.5	17.5	Brass	Nylon	Small Pack	Box	100	800 - Box
735398	Blue	17 - 13	1 - 2.5	17.5	Brass	Nylon	Small Pack	Bag	100	2000 - Box

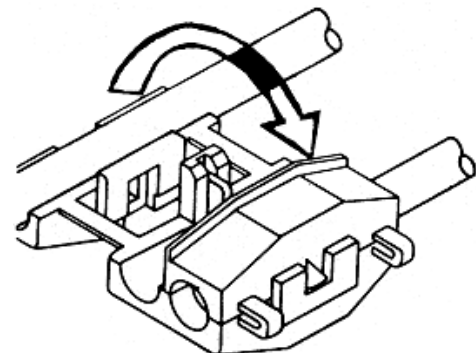
# ELECTRO-TAP Cable Connector/Splice

TCPN	Colour	Wire size (AWG)	Wire Size (MMSQ)	Length (MM)	Splice Material	NEW Housing Material	Pack Type	Unit Packaging Method	Unit Packaging Quantity	Shipper Qty & Type
626437-2	Black	17 - 13	1 - 2.5	17.5	Brass	Nylon	Small Pack	Box	100	2000 - Box
880458-1	Natural	11 - 10	4 - 6	16.2	Brass	Nylon	Small Pack	Bag	100	800 - Carton
735411	Yellow	11 - 10	4 - 6	17.5	Brass	Nylon	Small Pack	Bag	100	1000 - Box
880458-2	Black (UV)	11 - 10	4 - 6	16.2	Brass	Nylon	Small Pack	Box	100	800 - Box
7-1856389-8	Yellow	11 - 10	4 - 6	17.5	Brass	Nylon	Small Pack	Box	50	50 - Box
626439-1	Yellow	11 - 9	4 - 6	17.5	Brass	Nylon	Small Pack	Box	100	800 - Box

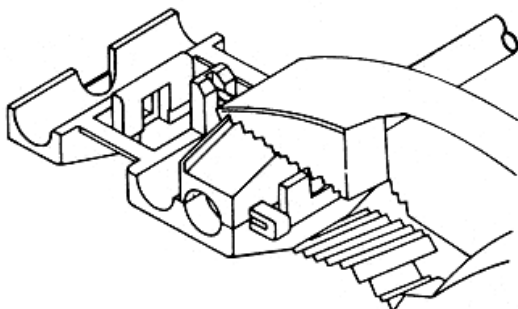
## ASSEMBLY



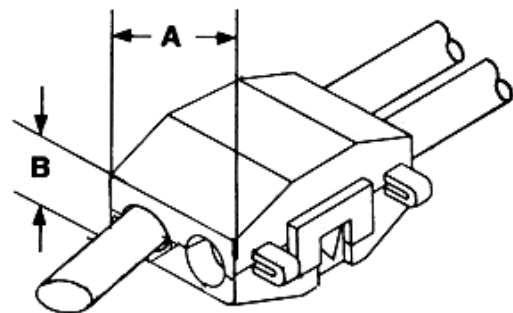
Insert wire in cover. For installation of two through wires, remove wire stop.



Repeat step one for second wire.



Close cover, keep wire in position and squeeze with pliers until cover is locked.



Repeat step two.

## te.com

© 2019 TE Connectivity. All Rights Reserved.

AMP, TE, TE Connectivity, and the TE Connectivity (logo) are trademarks of TE Connectivity. Other logos, product and company names mentioned herein may be trademarks of their respective owners.

While TE has made every reasonable effort to ensure the accuracy of the information in this brochure, TE does not guarantee that it is error-free, nor does TE make any other representation, warranty or guarantee that the information is accurate, correct, reliable or current. TE reserves the right to make any adjustments to the information contained herein at any time without notice. TE expressly disclaims all implied warranties regarding the information contained herein, including, but not limited to, any implied warranties of merchantability or fitness for a particular purpose. The dimensions in this catalog are for reference purposes only and are subject to change without notice. Specifications are subject to change without notice. Consult TE for the latest dimensions and design specifications.

1-1773978-8 10/19 Tangence