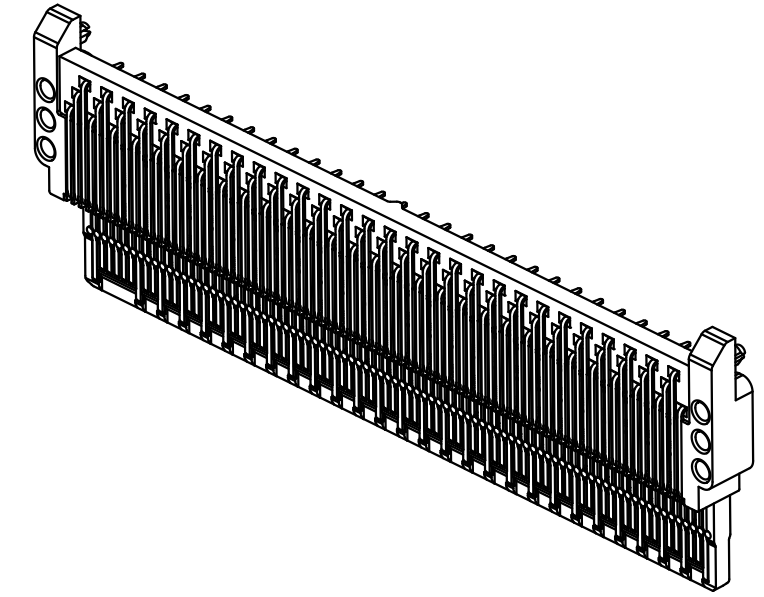
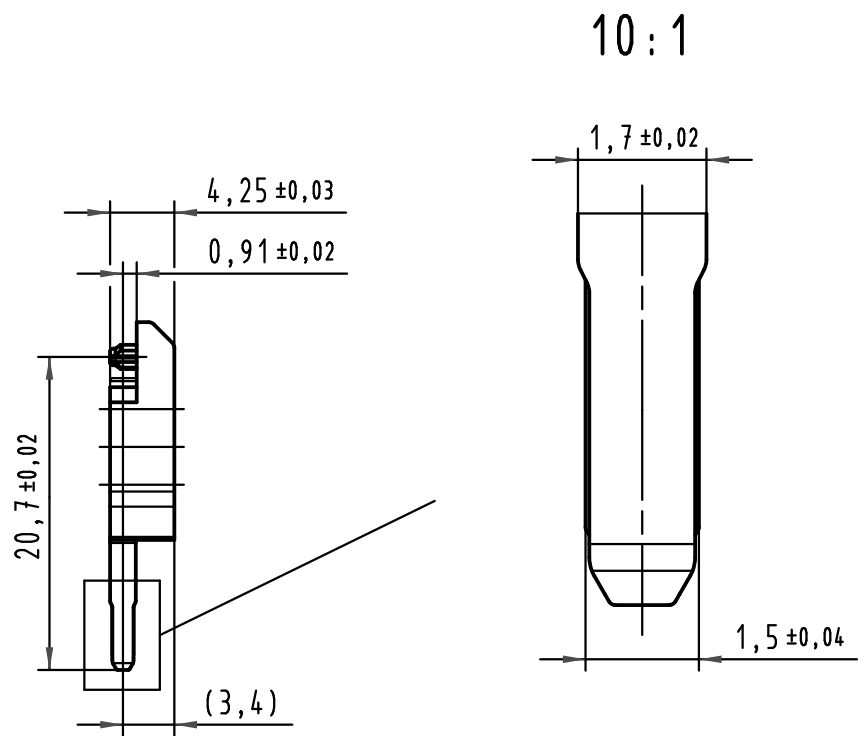
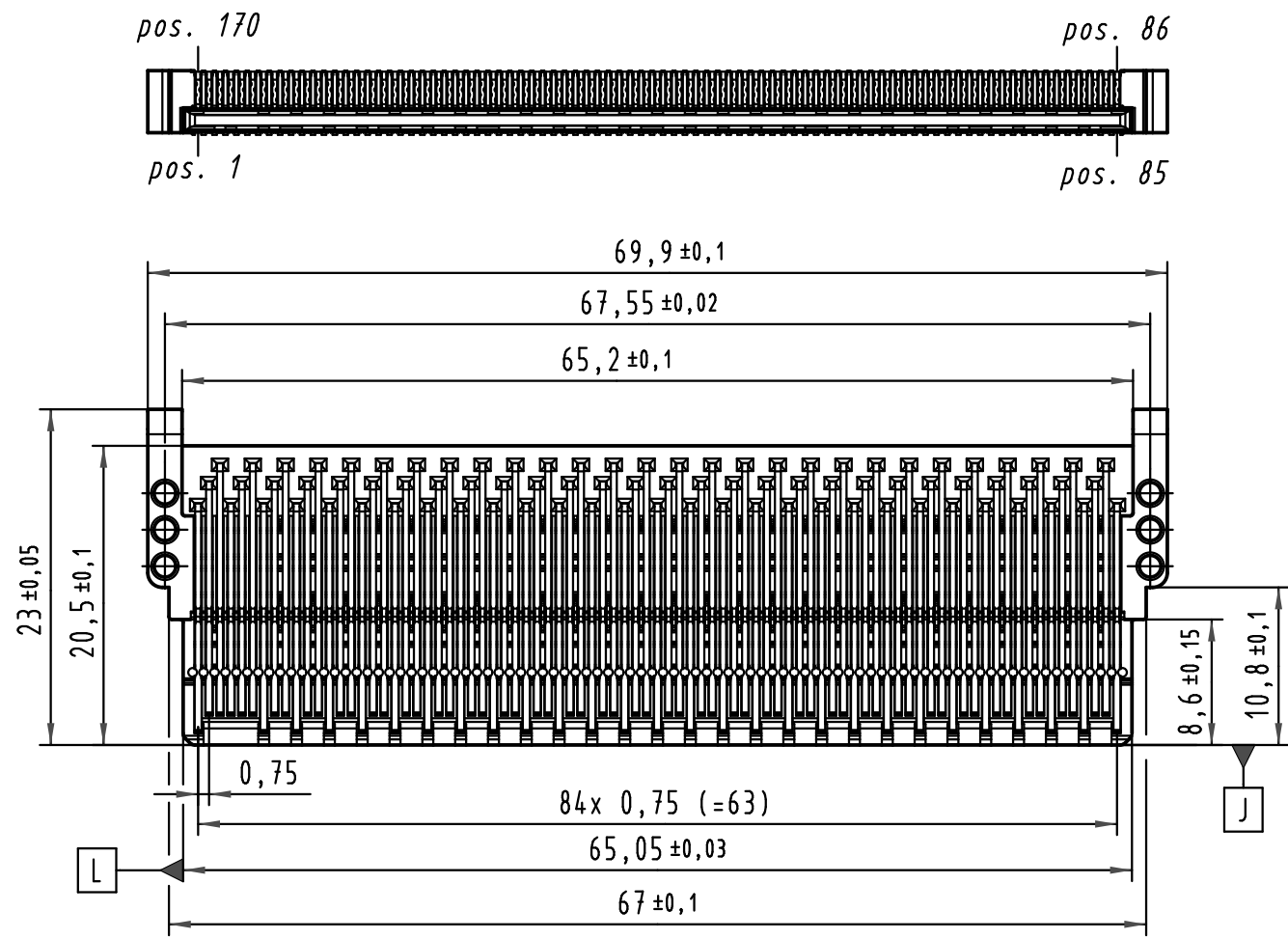
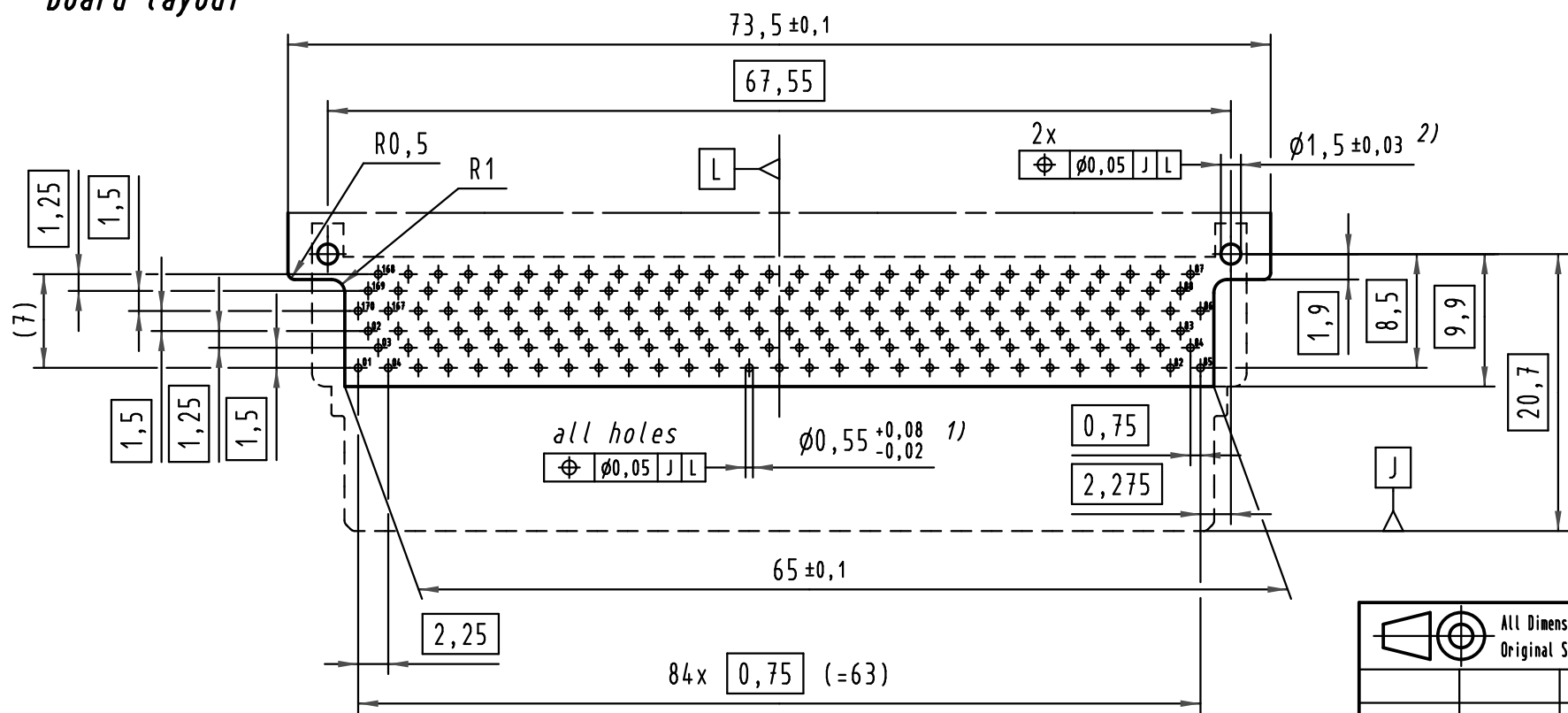


Alle Rechte vorbehalten/ All rights reserved



board layout



- 1) plated holes
- 2) non-metallized drillings
- mating steps acc. to MicroTCA.0 and AdvancedMC.0

All Dimensions in mm Original Size DIN A 3		Techn. Character.			Nicht tolerierte Maßel/Free size tolerances	
			Dat.	Name	Maßstab/Scale	AdvancedMC-Plug-Connector 170 pole, solder
	Detail.	16.06.08	HL.	2:1 (10:1)		
	Insp.	16.06.08	Li			
	Stand.					
34430	HARTING Electronics GmbH & Co. KG				TB 16 21 170 1301 000	
Mod.	Dat.	Name				