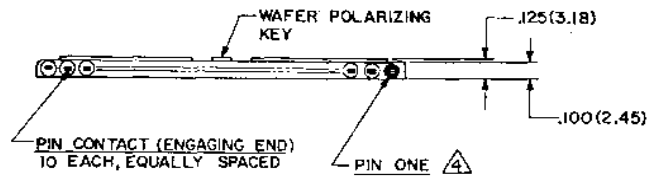
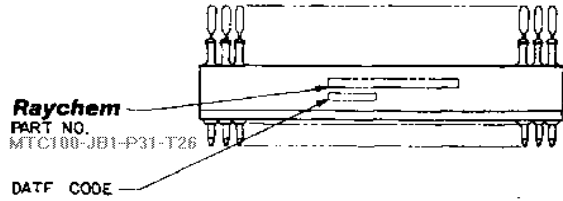
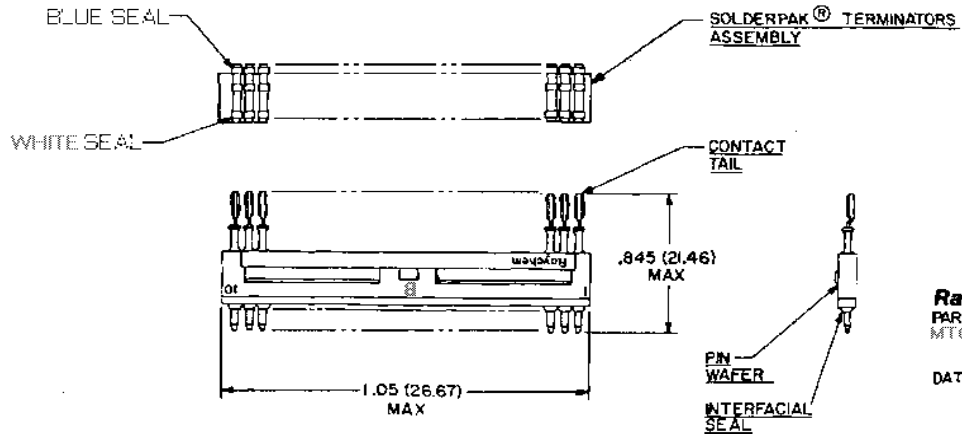


REVISIONS				
ZONF	LTR	DESCRIPTION	DATE	APPROVED
	A	REVISED PER ECN T-		



5 WEIGHT (MAX) :

LBS.	GRAMS
.0047	2.12

4 PIN ONE : PIN NUMBER ONE MARKED IN CONTRASTING COLOR ON INTERFACIAL SEAL.

3. WAFER : WAFER MEETS THE REQUIREMENTS OF RAYCHEM SPECIFICATION D-6011.

2. FINISH :
 2-A PIN WAFER : FINISH TO BE AS MOLDED.
 2-B PIN CONTACT (ENGAGING END) : GOLD PLATE PER MIL-G-45204, CLASS I.
 2-C CONTACT TAIL : COATED WITH SOLDER PER QQ-S-571.

1. MATERIAL :
 1-A PIN WAFER : HIGH GRADE POLYARYLENE THERMO-PLASTIC.
 1-B PIN CONTACT : COPPER ALLOY PER QQ-B-613 OR QQ-C-502.
 1-C INTERFACIAL SEAL : SILICONE ELASTOMER PER MIL-R-25988.
 1-D SOLDERPAK® TERMINATORS ASSY : REFER TO RAYCHEM DWG. CTA-0226 FOR DATA.

NOTES

If this document is printed it becomes uncontrolled.
 Check with the web for latest revision.

DO NOT SCALE THIS DRAWING

SPECIFICATION CONTROL DRAWING

© Raychem Corporation 1981

UNLESS OTHERWISE SPECIFIED DIMENSIONS ARE IN INCHES BRACKETED DIMENSIONS () ARE METRIC AND TOLERANCES ARE: XXX: ± .005 (0.13 M.M.) XX: ± .02 (0.51 M.M.) Δ: ± —	DRAWN	D.P.	11-73	Raychem <small>RAYCHEM CORPORATION 200 CONSTITUTION DRIVE MENLO PARK, CALIFORNIA 94025</small>				
	CHECKED	R.H.	11-73					
	APPROVED	R. Hoag	11-73					
	APPROVED							
TITLE KIT, 1" PIN WAFER "B" WITH SOLDERPAK® TERMINATORS, FOR ROUND WIRE (20-26 AWG), 150°C TEMPERATURE RATING MTC 100 SERIES (SN96)								
CAD FILE#	008064-1.PCX	SIZE	C	CODE IDENT	NO. 06000	DWG. NO.	MTC100-JB1-P31-T26	
						WEIGHT	Δ/5	SHEET 1 OF 1