

REV. B		SHEET 1 OF 2		DOCUMENT NO. RVPX-P16DXX	
REVISIONS M					
LTR	DESCRIPTION			DATE	
A	INITIAL RELEASE			11-FEB-16	
B	CORRECTED DRILL DIAMETER NOTE 2			31-MAY-17	
				ECN# C5085	

TABLE 1  
INTERCONNECTIONS WITH BACKPLANE CONNECTOR RVPX-J16MXX

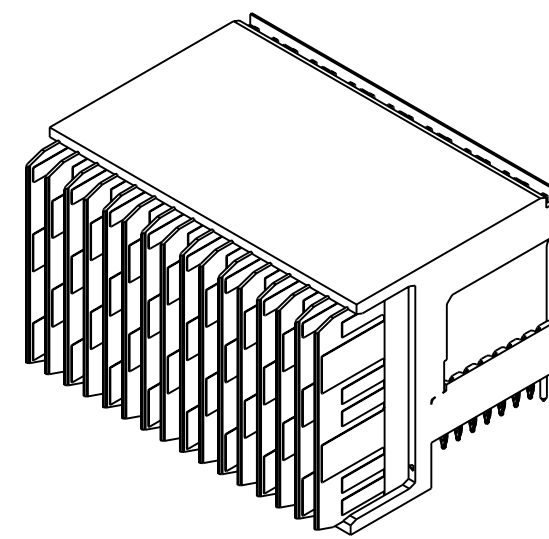
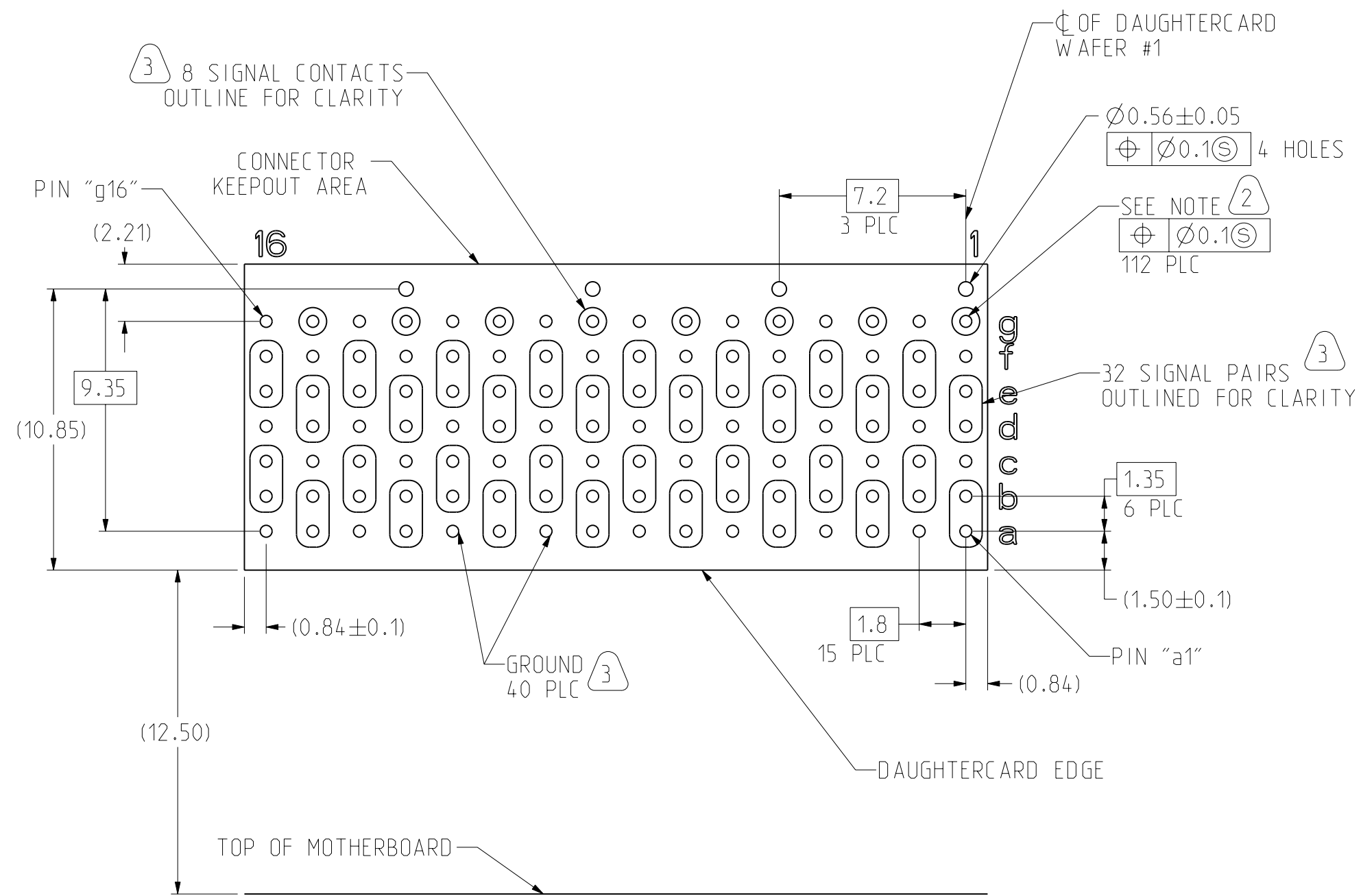
TYPICAL INTERCONNECTIONS FOR COLUMN (WAFER): 2, 4, 6, 8, 10, 12, 14, 16		
CONTACT USAGE	DAUGHTERCARD CONNECTOR PIN	BACKPLANE CONNECTOR PIN
SIGNAL PAIR	bx	cx
SIGNAL PAIR	cx	dx
SIGNAL PAIR	ex	gx
SIGNAL PAIR	fx	hx
GROUND	ax, dx, gx, (ALL COMMONED)	ax, bx, ex, fx, ix

TYPICAL INTERCONNECTIONS FOR COLUMN (WAFER): 1, 3, 5, 7, 9, 11, 13, 15		
CONTACT USAGE	DAUGHTERCARD CONNECTOR PIN	BACKPLANE CONNECTOR PIN
SIGNAL PAIR	ax	ax
SIGNAL PAIR	bx	bx
SIGNAL PAIR	dx	ex
SIGNAL PAIR	ex	fx
SIGNAL	gx	ix
GROUND	cx, fx, (ALL COMMONED)	cx, dx, gx, hx

NOTE: "x" DESIGNATES THE COLUMN NUMBER

TABLE 2  
PLATING THICKNESS AND MATERIAL BY PART NUMBER

PART NUMBER	GOLD IN CONTACT AREA	COMPLIANT	NICKEL OVERALL
RVPX-P16DM1	50 μ-INCH MIN	50 μ-INCH MIN TIN	50 μ-INCH MIN
RVPX-P16DM2	50 μ-INCH MIN	50 μ-INCH MIN TIN-LEAD	50 μ-INCH MIN
RVPX-P16DC1	30 μ-INCH MIN	50 μ-INCH MIN TIN	50 μ-INCH MIN
RVPX-P16DC2	30 μ-INCH MIN	50 μ-INCH MIN TIN-LEAD	50 μ-INCH MIN



SCALE 2/1

- 4 SEE TABLE 2 FOR PART NUMBER AND FINISHES
- 3 SEE TABLE 1 FOR INTERCONNECTIONS TO BACKPLANE CONNECTOR
- 2 PTH CALLOUT  
TYPICAL HOLE  
Ø0.53-.57 DRILL  
Ø0.46 ±.05 FINISH HOLE  
Ø0.92 PAD
- 1 HOUSING: GLASS FILLED LCP, UL94 - V0  
CONTACT: CU ALLOY  
POST: STAINLESS STEEL, PASSIVATED

THE USE OF THIS DOCUMENT IS UNLIMITED. HOWEVER, DOCUMENTS REFERENCED HEREON MAY CONTAIN LIMITED RIGHTS DATA.

N/A	PRO/ENGINEER INFORMATION Pro/e Model Used: P1233-426-0008-001.ATCS.PART Drawing Name: RVPX-P16DX
NEXT ASSEMBLY	

UNLESS OTHERWISE SPECIFIED	SPECIFICATIONS	POS	QTY	PART NUMBER	DESCRIPTION	NOTE
LINEAR DIMENSIONS ARE IN MILLIMETERS TOLERANCES: .XXXX = ±. - ANGLES= ±1° .XXX = ±. .XX = ±.13 .X = ±.5	MATERIAL SPEC. N/A	APPROVALS		DATE	PARTS LIST	
DIM. & TOL. PER ASME Y14.5M; DRM PER MIL-DTL-31000; OTHER Amphenol Stds. PER 9-3800	PROCESS SPEC. 9-3895 9-3856-5	PREPARED BY S. LANGELIER		22-SEP-15	<b>AMPHENOL CORPORATION</b> 40-60 DELAWARE AVENUE SIDNEY, NY, 13858  <b>RIGHT-ANGLE PLUG ASSEMBLY            CENTER, RVPX            DAUGHTERCARD CONNECTOR, DIFFERENTIAL</b>	
LEGENDS: =FLAG NOTE CALL OUT REFERENCE ONLY		ENGINEER IN CHARGE S. LANGELIER				
		DESIGN MANAGER J. PAUL				
		DESIGN ACTIVITY GROUP BOARD LEVEL			SIZE C	CAGE CODE 77820
		THIRD ANGLE PROJECTION			DOCUMENT NO. RVPX-P16DXX	REV. B
					SCALE: 5.0	SHEET 1 OF 2

DOCUMENT NO. RVPX-P16DXX  
 SHEET 1 OF 2  
 REV. B  
 C  
 B  
 A  
 REV. B  
 SHEET 1 OF 2  
 RVPX-P16DXX  
 REV. B  
 SHEET 1 OF 2

DOCUMENT NO. RVPX-P16DXX

SHEET 2 OF 2

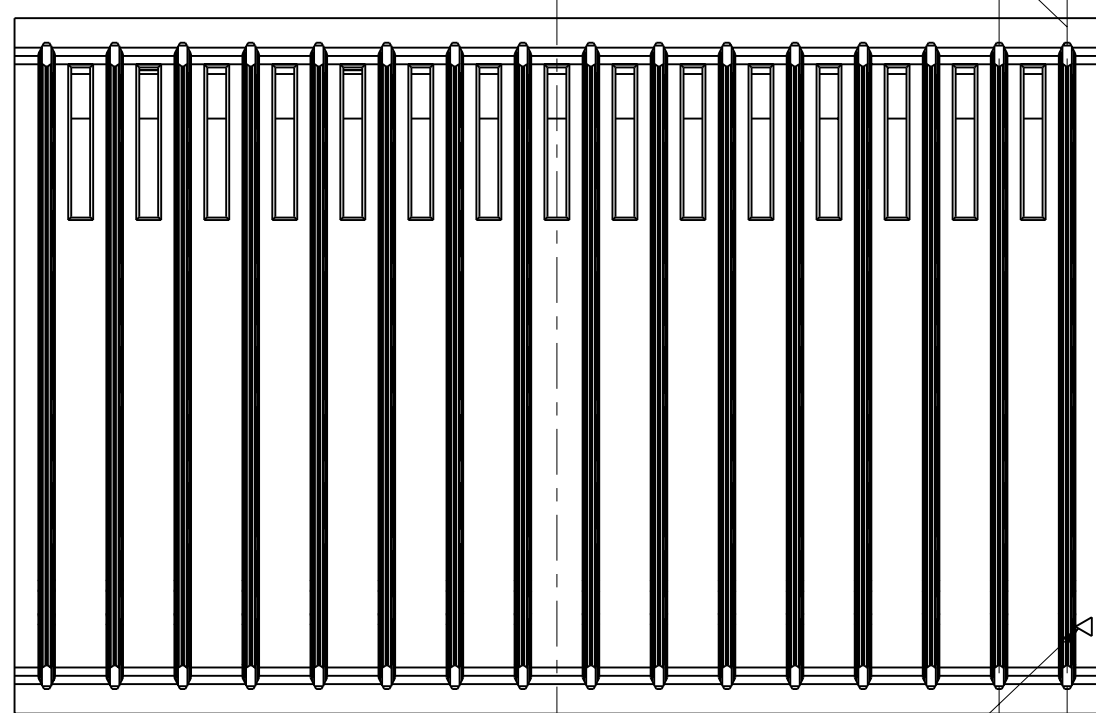
REV. B

C

B

A

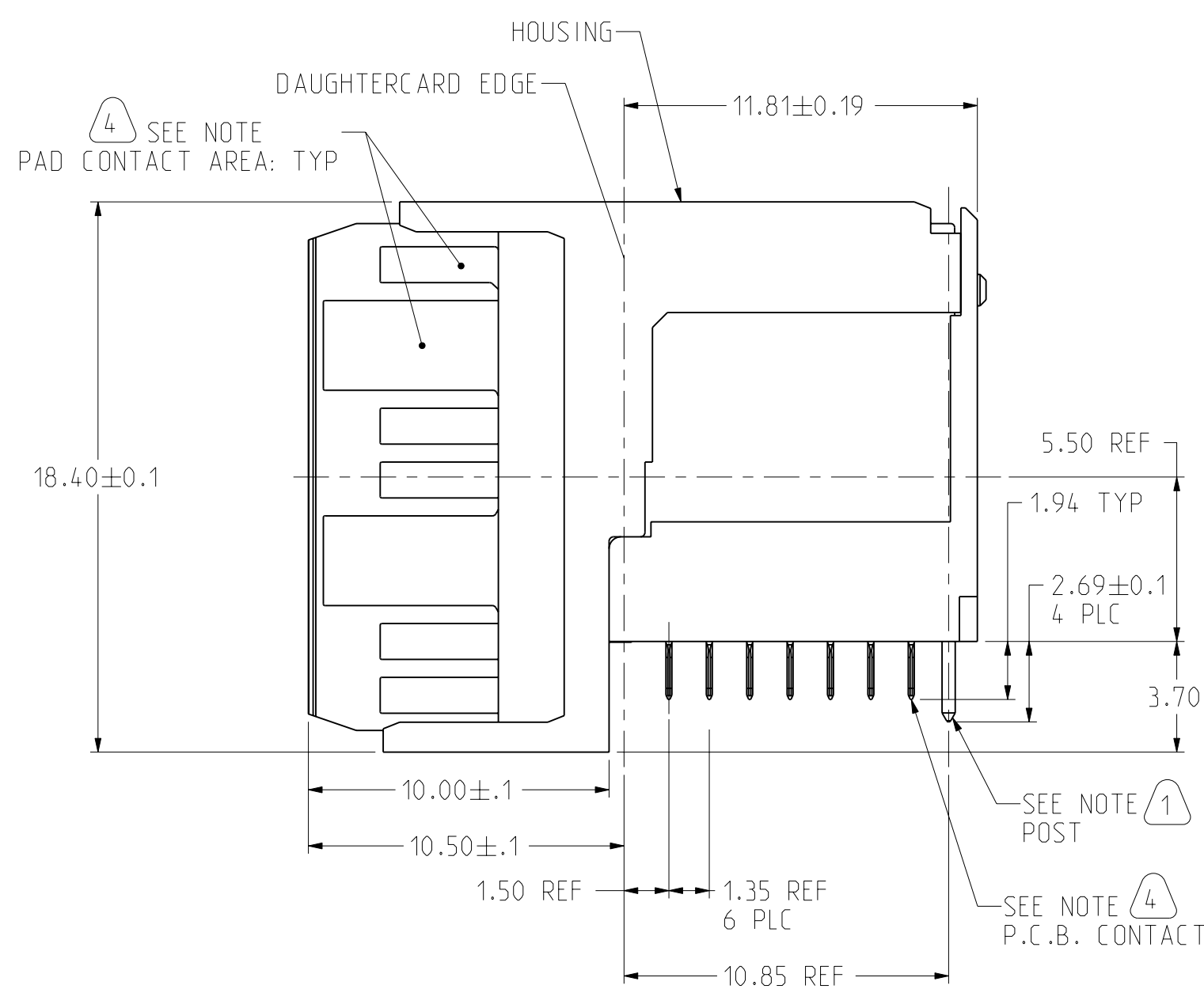
CL OF DAUGHTERCARD WAFER #1



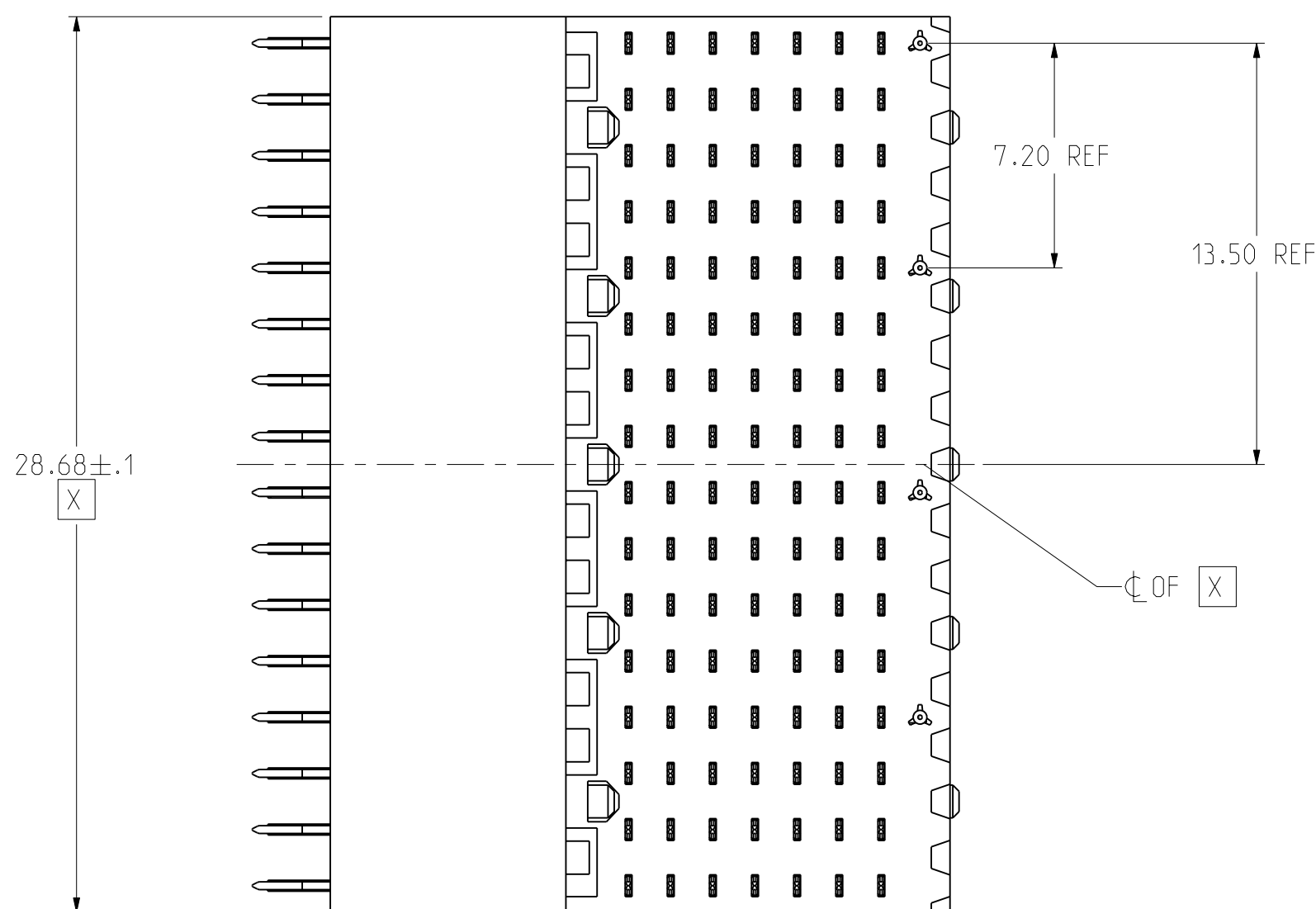
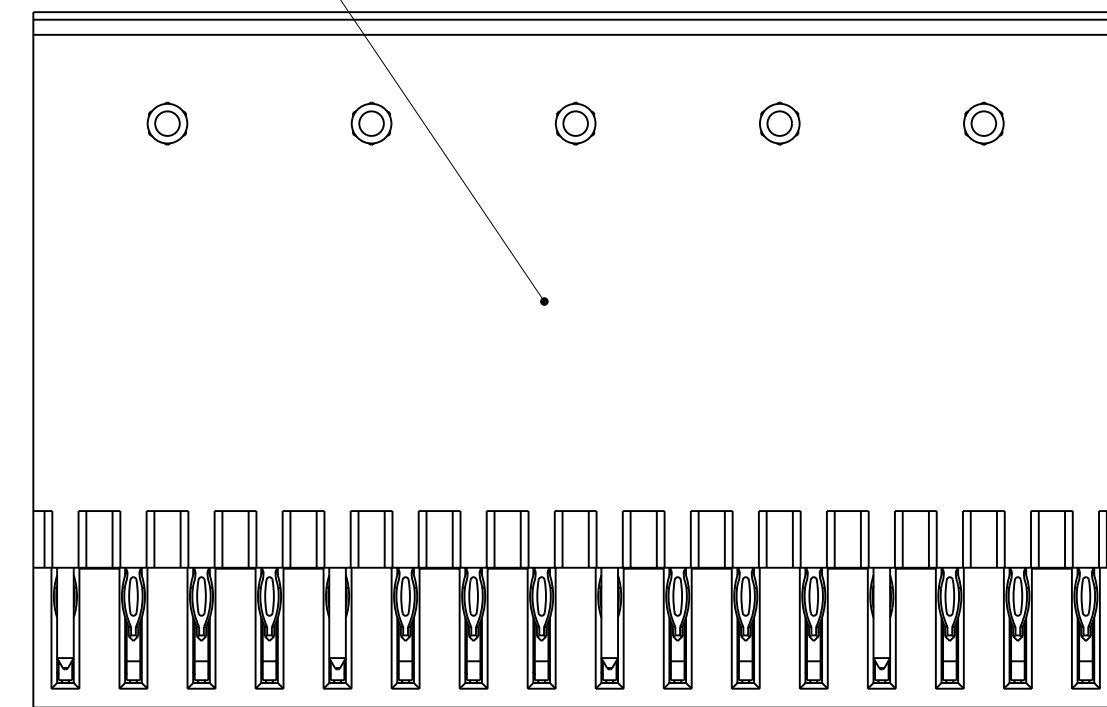
POSITION a1

1.80 REF  
15 PLC

13.50 REF



PART MARKING AS FOLLOWS  
 AMPHENOL 77820  
 'DATE CODE'  
 'AAO PART NUMBER'  
 'WORK ORDER NUMBER AS LOT NUMBER'



NOTES: SEE SHEET 1

THE USE OF THIS DOCUMENT IS UNLIMITED.  
 HOWEVER, DOCUMENTS REFERENCED HEREON  
 MAY CONTAIN LIMITED RIGHTS DATA.

SIZE <b>C</b>	CAGE CODE <b>77820</b>	DOCUMENT NO. <b>RVPX-P16DXX</b>	REV. <b>B</b>
SCALE: 5.0		REF: NONE	SHEET 2 OF 2

Eng. PDM Information For Reference Only

REVISION B SHEET 2 OF 2

DOCUMENT NO. RVPX-P16DXX

REV. B