

THIS DRAWING IS UNPUBLISHED  
VERTRAULICHE UNVEROEFFENTLICHE ZEICHNUNG

RELEASE FOR PUBLIKATION  
FREI FUER VEROEFFENTLICHUNG

MATED WITH:  
PASSEND ZU:

LOC AI DIST -

REVISIONS  
AENDERUNGEN

© COPYRIGHT 2000

BY AMP INCORPORATED

ALL RIGHTS RESERVED  
ALLE RECHTE VORBEHALTEN

1104700

PROJEKT NR.  
EGGMN04419

P LTR

B3

ECR-17-014051

DESCRIPTION  
BESCHREIBUNG

DATE

DWN

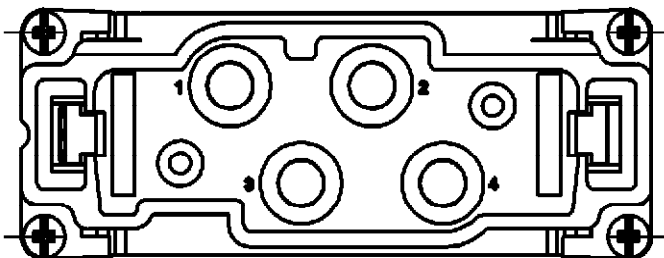
APVD

05APR18

SG

MKO

### CONTACT ARRANGEMENT VIEW FROM CONECTING SIDE

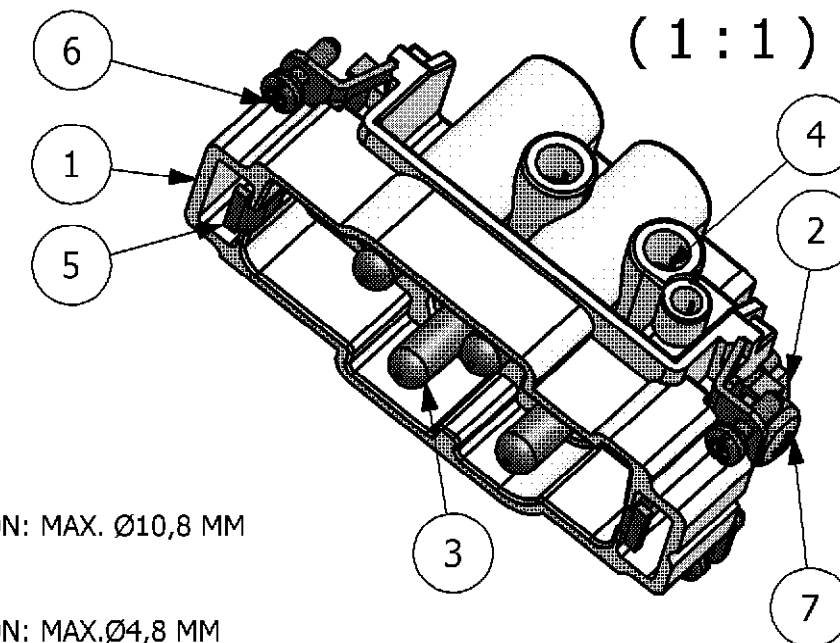


### A (2:1)



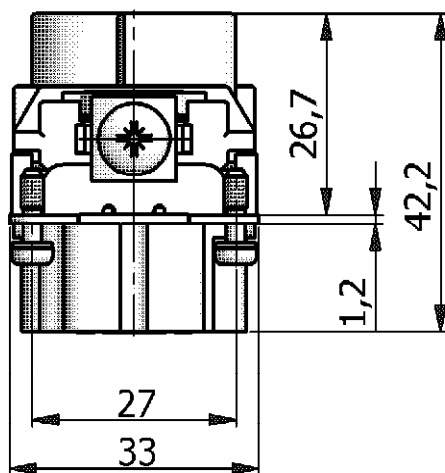
**SUPERSEDED BY**  
0-1 AS SHOWN—T2100042101-000  
ORDERING TEXT: HMX.4/0.STI.S

### (1:1)

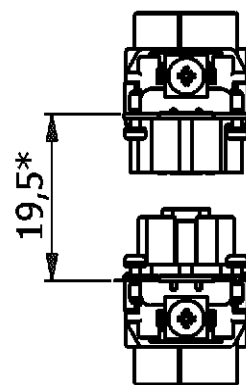


### NOTES

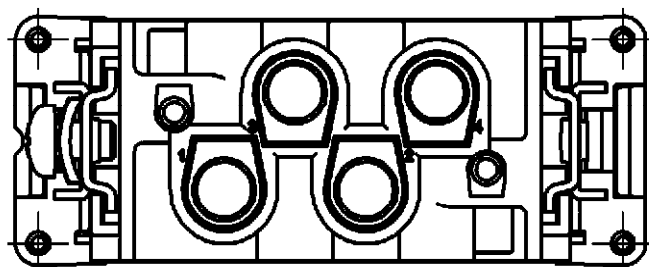
- 1 POWER CONTACT: 1 TO 4  
OUTER DIMENSIONS OF INSULATION: MAX. Ø10,8 MM
- 2 SIGNAL CONTACT: 11 and 12  
OUTER DIMENSIONS OF INSULATION: MAX.Ø4,8 MM
- 3 GROUNDING CONTACT:
- 4 SUITABLE HOOD SIZE 6: SERIES HB; HD; EMV AND HIP
- 5 STANDARDS:  
DIN EN 61984; DIN EN 60664-1
- 6 UL; CSA AUTHORISATION
- 7 PACKAGING:  
5 PIECES IN A CARTON



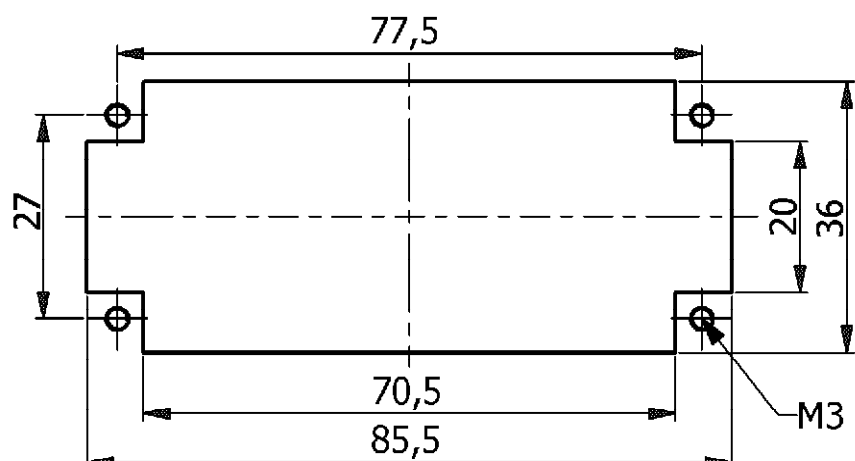
\* DISTANCE FOR GUARANTEED  
CONTACT MAX. 21 mm



### CONTACT ARRANGEMENT VIEW FROM TERMINATION SIDE



### PANET CUT-OUT CONTACT INSERT WHEN USED WITHOUT HOUSING



QTY.	DESCRIPTION	MATERIAL	SURFACE	COLOR	NOTE	ITEM
1	SCREW	STEEL	NICKEL PLATED	BLUE	DIN EN ISO 1207-M5X8	7
4	FIXING SCREW	STEEL	NICKEL PLATED	BLUE	M3X10,5	6
2	PIN GROUNDING CONTACT	BRASS	NICKEL PLATED	BLUE	-	5
4	THREAD PIN	STEEL	NICKEL PLATED	BLUE	-	4
4	PIN CONTACT	BRASS	SILVER PLATED	BLUE	-	3
1	CLAMP TAB	STEEL	NICKEL PLATED	BLUE	---	2
1	MALE INSERT	PBT-GF30	-	LIGHT GREY	-	1

### PARTS LIST

<p>THIS DRAWING IS A CONTROLLED DOCUMENT FOR AMP INCORPORATED. IT IS SUBJECT TO CHANGE AND THE CONTROLLING ENGINEERING ORGANIZATION SHOULD BE CONTACTED FOR THE LATEST REVISION. DIESSES ZEICHNUNGSDOKUMENT WIRD DURCH AMP INCORPORATED KONTROLLIERT. AENDERUNGEN, DIE DEN TECHNISCHEN FORTSCHRITT DIENEN, SIND VORBEHALTEN. DEN JEWELIS LETZTGULTIGEN AENDERUNGSSTAND ERFAHREN SIE AUF ANFRAGE.</p>		DWN	SCHNEIDER	12.07.2005		
<p>DIMENSIONS: DIMENSIONEN: mm</p>		CHK	T. SCHNURPFEL	12.07.2005		
<p>TOLERANCES UNLESS OTHERWISE SPECIFIED: ALLGEMEINTOLERANZEN</p> <p>n. ISO 8015 - # n. ISO 2768 - m-H-E # n. DIN 16901- 140 #</p>		APVD			NAME	MALE INSERT
<p>0 PLC # 1 PLC # 2 PLC # 3 PLC # ANGLES / WINKEL #</p>		PRODUCT SPEC. PRODUKTSPEZ.	108-74058		SIZE	A3
<p>MATERIAL</p>		APPLICATION SPEC. VERARBEITUNGSSPEZ.	114-74058		CAGE CODE	00779
<p>FINISH / OBERFLAECHE / FARBE</p>		WEIGHT GEWICHT	0,118 KG		DRAWING NO ZEICHNUNGS-NR.	1104701
		CUSTOMER DRAWING / KUNDENZEICHNUNG			SCALE MASSSTAB	1:1
					SHEET BLATT	1 OF 1
					REV.	B3