

ADS02008MR-R 20mm Speaker

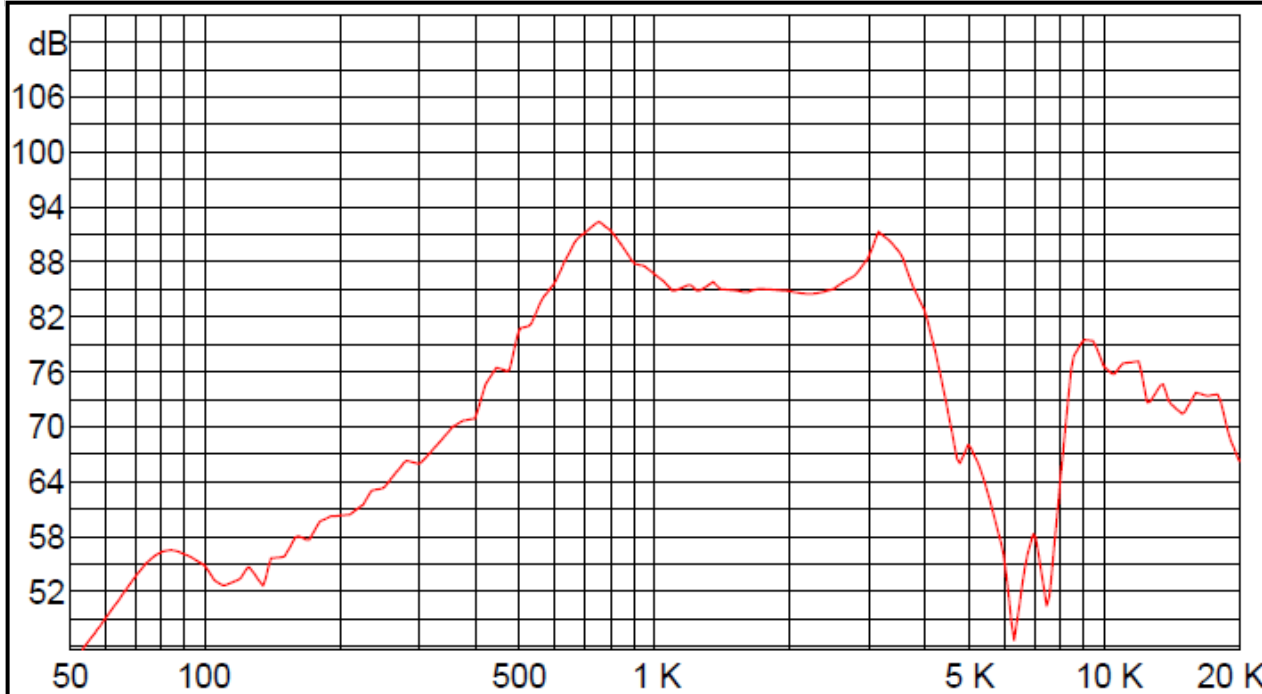


3541 Stop Eight Road • Dayton, Ohio 45414

Product Overview

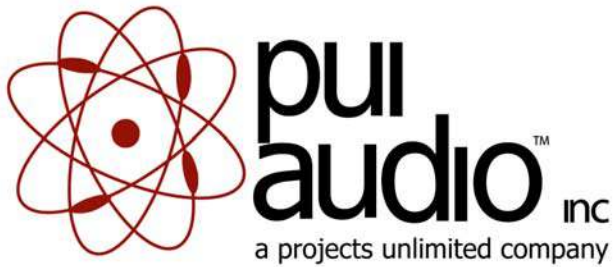
- 20mm diameter speaker with Neodymium magnet for 86 dB sensitivity
- 0.08W continuous, 0.2W maximum power handling and 8Ω impedance
- Silver polyester cone with pleated surround for great vocal reproduction

Frequency Response (0.08W @ 0.1 meter)



2015-03-15 09:00:00 AM

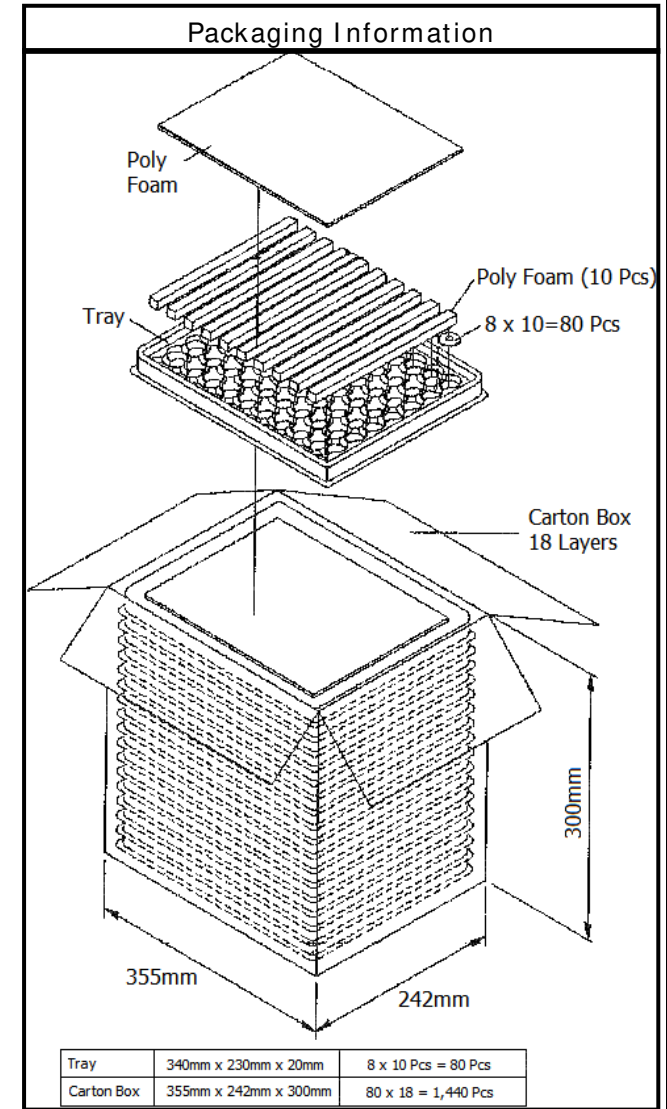
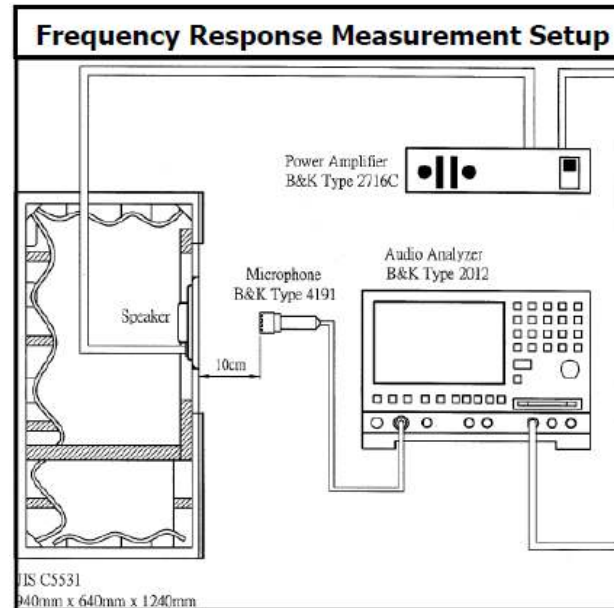
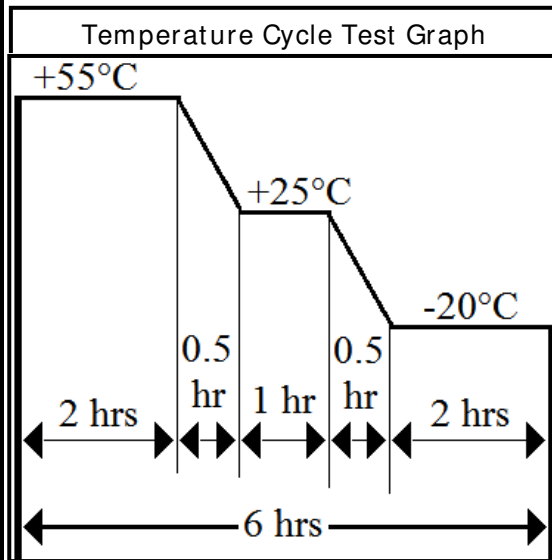




ADS02008MR-R 20mm Speaker

| Mechanical and Environment Testing | |
|------------------------------------|---|
| Test Description | Test Condition |
| High Temperature | 55°C with random humidity for 96 hours |
| Low Temperature | -20°C with random humidity for 96 hours |
| Humidity | 40°C with 90% to 95% relative humidity for 96 hours |
| Vibration | 1.5 mm movement modulated at 10 to 55 Hz for 2 hours |
| Drop Test | 75 cm free fall onto 40 mm thick board, 10 cycles |
| Temperature Cycle Test | -20°C to 55°C, 5 cycles (refer to Temperature Cycle Test Graph) |

After tests, speaker shall rest for 1 hours. SPL shall not deviate ± 3 dB from pre-test measurement.



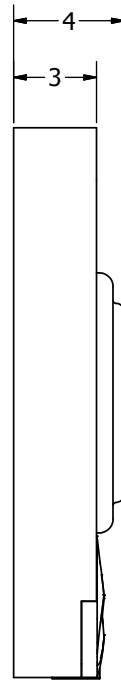
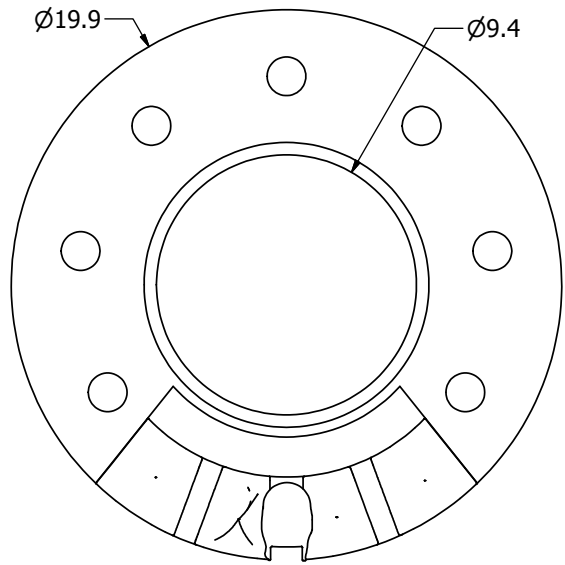
SPECIFICATIONS

| PARAMETERS | VALUES | UNITS |
|--|------------------|-------|
| RATED INPUT POWER | 0.08 | W |
| MAX INPUT POWER | 0.2 | W |
| IMPEDANCE | 8 ± 15% | OHM |
| OUTPUT SPL @ 0.08W/0.1M (AT 1.0, 1.2, 1.5, 2.0 kHz) | 86 ± 3 | dBA |
| DISTORTION (MAX.) | 5% | - |
| RESONANT FREQUENCY | 750 ± 20% | Hz |
| FREQUENCY RANGE | 750 ~ 5,000 | Hz |
| HOUSING MATERIAL | ABS | - |
| CONE MATERIAL | SILVER POLYESTER | - |
| MAGNET MATERIAL | Nd-Fe-B | - |
| OPERATING TEMPERATURE | -20 ~ +55 | °C |
| WEIGHT | 2.3 | grams |

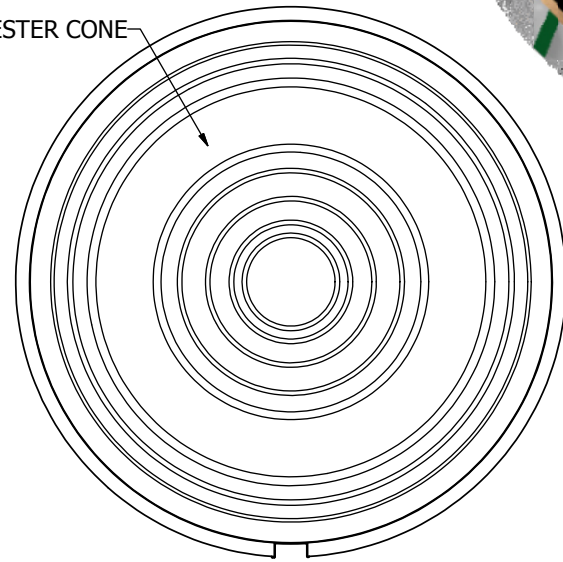
THIS DOCUMENT CONTAINS DATA PROPRIETARY TO PROJECTS UNLIMITED, INC. ANY USE OR REPRODUCTION, IN ANY FORM, WITHOUT PRIOR WRITTEN PERMISSION OF PROJECTS UNLIMITED, INC. IS PROHIBITED.
©2003, Projects Unlimited Inc.

REVISION HISTORY

| LTR | DESCRIPTION | DATE | APPROVED |
|-----|--|------------|----------|
| - | RELEASED FROM ENGINEERING | 9/21/2005 | |
| A | ADDED ROHS NOTE #3 | 11/02/2005 | B.R. |
| B | REVISED TO INVENTOR 3-D DRAWING TEMPLATE | 10/15/2008 | B.R. |



SILVER POLYESTER CONE



NOTES:

1. ALL DIMENSIONS ARE IN MILLIMETERS.
2. SPECIFICATIONS SUBJECT TO CHANGE OR WITHDRAWAL WITHOUT NOTICE.
3. THIS PART IS RoHS 2002/95/EC COMPLIANT.

| | | | | | | | | | |
|--|------|-------------|-----------|------------|--------------------------------|-------------|-----------|--------------|----------------|
| UNLESS OTHERWISE SPECIFIED: DIMENSIONS ARE IN MILLIMETERS, TOLERANCES ARE ±0.5 AND ANGLES ARE ±3°. | SIZE | Designed by | Date | Checked by | Date | Approved by | Date | Drawn Date | |
| | A3 | J.A.F. | 9/21/2005 | B.R. | 9/21/2005 | E.P. | 9/21/2005 | 10/15/2008 | |
| ADS02008MR-R.idw | | | | | ADS02008MR-R Speaker | | | Edition - | Sheet 1 / 1 |