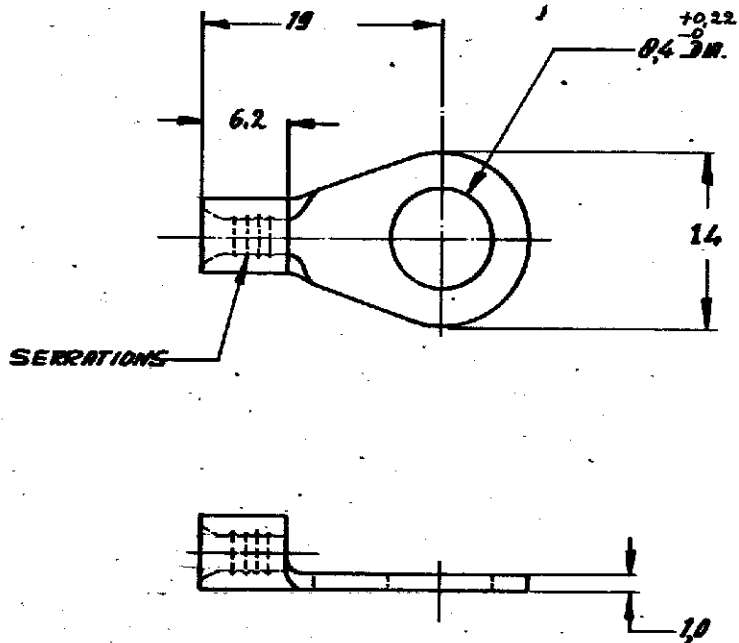


DRAWING MADE IN AMERICAN PROJECTION

PART NO. C-165304-E



DIMENSIONS IN IN. DO NOT SCALE PRINT

**CUSTOMER COPY FOR REFERENCE ONLY**

©1967 BY AMP-HOLLAND N.V. ALL RIGHTS RESERVED A-MP PRODUCTS COVERED BY PATENTS AND/OR PATENTS PENDING.



AMP-HOLLAND N.V.  
HERTOGENBOSCH  
HOLLAND

165304	COPPER	UNPLATED
ORDER NO.	MATERIAL	PLATING
DR R. BONDY	DATE 16-67	CHK DATE 17-67

WIRE RANGE 4-6 M70 <sup>2</sup>	INSUL. RANGE ---	TYPE - DIN - S8157RND
SCALE ---	LOC H	SIZE A
NAME RINGTONGUE stud. M8		NO C-165304-E
		REV C