



AMP | Sealed Sensor Connector SSC System

TE Internal #: 184006-2

Housing for Female Terminals, Wire-to-Device / Wire-to-Wire / Wire-to-Board, 2 Position, .197 in [5 mm] Centerline, Sealed Sensor Connector SSC System

[View on TE.com >](#)

Connectors > Automotive Connectors > Automotive Housings



Connector & Housing Type: **Housing for Female Terminals**

Connector System: **Wire-to-Board, Wire-to-Device, Wire-to-Wire**

Number of Positions: **2**

Centerline (Pitch): **5 mm [ .197 in ]**

Sealable: **Yes**

**Features**

**Product Type Features**

|                          |   |
|--------------------------|---|
| Connector Shape          | Rectangular                                 |
| Connector & Housing Type | Housing for Female Terminals                |
| Connector System         | Wire-to-Board, Wire-to-Device, Wire-to-Wire |
| Sealable                 | Yes   |
| Hybrid Connector         | No  |
| Primary Locking Feature  | Integrated in Housing                       |

**Configuration Features**

|                     |   |
|---------------------|---|
| Number of Positions | 2 |
| Number of Rows      | 1 |

**Electrical Characteristics**

|                              |   |
|------------------------------|---|
| Operating Voltage            | 125 VAC                                   |
| Nominal Voltage Architecture | 12 V, 24 V, 42 V, 48 V, 80 V, 90 V, 125 V |

**Body Features**

|                         |      |
|-------------------------|------|
| Cable Exit Angle        | 180° |
| Primary Product Color   | Gray |
| Connector & Keying Code | D    |

**Contact Features**

|  |  |
|--|--|
|  |  |
|--|--|



|              |       |
|--------------|-------|
| Contact Size | 1.8mm |
|--------------|-------|

### Mechanical Attachment

|                             |    |
|-----------------------------|----|
| Terminal Position Assurance | No |
|-----------------------------|----|

|               |         |
|---------------|---------|
| Strain Relief | Without |
|---------------|---------|

|                       |       |
|-----------------------|-------|
| Mating Alignment Type | Keyed |
|-----------------------|-------|

|                  |      |
|------------------|------|
| Mating Alignment | With |
|------------------|------|

|                         |                            |
|-------------------------|----------------------------|
| Connector Mounting Type | Cable Mount (Free-Hanging) |
|-------------------------|----------------------------|

### Housing Features

|                  |        |
|------------------|--------|
| Housing Material | PBT GF |
|------------------|--------|

|                    |                |
|--------------------|----------------|
| Centerline (Pitch) | 5 mm [.197 in] |
|--------------------|----------------|

### Dimensions

|                  |                   |
|------------------|-------------------|
| Connector Height | 27.6 mm [1.09 in] |
|------------------|-------------------|

|               |                    |
|---------------|--------------------|
| Product Width | 24.05 mm [.947 in] |
|---------------|--------------------|

|                |                |
|----------------|----------------|
| Product Length | 22 mm [.87 in] |
|----------------|----------------|

### Usage Conditions

|                             |  |
|-----------------------------|--|
| Operating Temperature (Max) | 70 °C, 75 °C, 80 °C, 85 °C, 90 °C, 100 °C, 105 °C, 110 °C, 120 °C, 125 °C [158 °F][167 °F][176 °F][185 °F][194 °F][212 °F][221 °F][230 °F][248 °F][257 °F] |
|-----------------------------|--|

|                             |                             |
|-----------------------------|-----------------------------|
| Operating Temperature Range | -40 – 125 °C [-40 – 257 °F] |
|-----------------------------|-----------------------------|

### Industry Standards

|                        |         |
|------------------------|---------|
| UL Flammability Rating | UL 94HB |
|------------------------|---------|

### Packaging Features

|                    |      |
|--------------------|------|
| Packaging Quantity | 1800 |
|--------------------|------|

|                  |         |
|------------------|---------|
| Packaging Method | Package |
|------------------|---------|

### Other

|             |     |
|-------------|-----|
| Serviceable | Yes |
|-------------|-----|

|                                      |    |
|--------------------------------------|----|
| Connector Position Assurance Capable | No |
|--------------------------------------|----|

### Product Compliance

[For compliance documentation, visit the product page on TE.com>](#)

|                              |           |
|------------------------------|-----------|
| EU RoHS Directive 2011/65/EU | Compliant |
|------------------------------|-----------|

|                             |           |
|-----------------------------|-----------|
| EU ELV Directive 2000/53/EC | Compliant |
|-----------------------------|-----------|



|   |  |
|---|--|
| China RoHS 2 Directive MIIT Order No 32, 2016 | No Restricted Materials Above Threshold  |
| EU REACH Regulation (EC) No. 1907/2006        | Current ECHA Candidate List: JUNE 2023 (235)<br>Candidate List Declared Against: JAN 2023 (233)<br>Does not contain REACH SVHC |
| Halogen Content                               | Low Halogen - Br, Cl, F, I < 900 ppm per homogenous material. Also BFR/CFR/PVC Free  |
| Solder Process Capability                     | Not applicable for solder process capability   |

Product Compliance Disclaimer

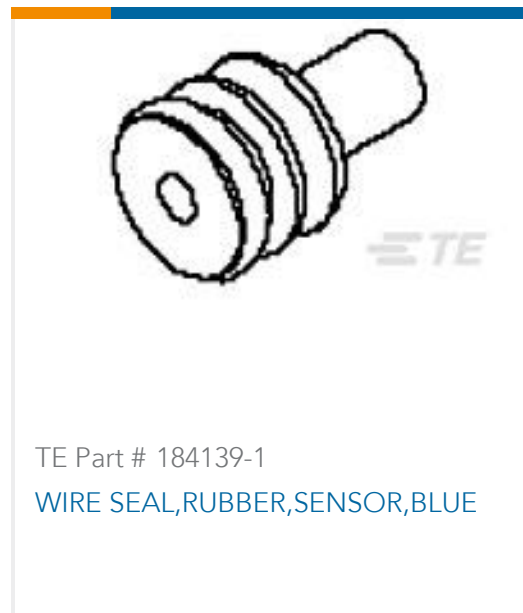
This information is provided based on reasonable inquiry of our suppliers and represents our current actual knowledge based on the information they provided. This information is subject to change. The part numbers that TE has identified as EU RoHS compliant have a maximum concentration of 0.1% by weight in homogenous materials for lead, hexavalent chromium, mercury, PBB, PBDE, DBP, BBP, DEHP, DIBP, and 0.01% for cadmium, or qualify for an exemption to these limits as defined in the Annexes of Directive 2011/65/EU (RoHS2). Finished electrical and electronic equipment products will be CE marked as required by Directive 2011/65/EU. Components may not be CE marked. Additionally, the part numbers that TE has identified as EU ELV compliant have a maximum concentration of 0.1% by weight in homogenous materials for lead, hexavalent chromium, and mercury, and 0.01% for cadmium, or qualify for an exemption to these limits as defined in the Annexes of Directive 2000/53/EC (ELV). Regarding the REACH Regulation, the information TE provides on SVHC in articles for this part number is based on the latest European Chemicals Agency (ECHA) 'Guidance on requirements for substances in articles' posted at this URL: <https://echa.europa.eu/guidance-documents/guidance-on-reach>

### Compatible Parts

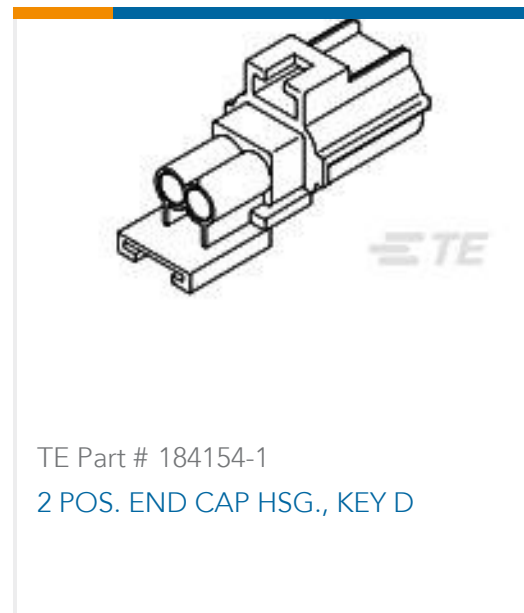
|   |   |  |  |
|---|---|--|--|
|  <p>TE Part # 184141-1<br/>WIRE SEAL,RUBBER,SENSOR,PURPLE, LIM</p> |  <p>TE Part # 184140-1<br/>WIRE SEAL,RUBBER,SENSOR, ORANGE</p> |  <p>TE Part # 184166-1<br/>2 POS. CAP HSG., KEY D</p>     |  <p>TE Part # 184060-1<br/>6 POS./6 CIRC PLUG ASSY, KEY A</p> |
|  <p>TE Part # 184030-3<br/>RECPT, CONTACT 070, PTPPHBZ</p>         |  <p>TE Part # 184002-1<br/>2 POS. PLUG ASSY, KEY B, GRAY</p>   |  <p>TE Part # 184030-1<br/>RECPT, CONTACT 070, AUPHBZ</p> |  <p>TE Part # 184095-1<br/>RECPT, CONTACT .070, AUPHBZ</p>    |



TE Part # 184095-2  
RECP, CONTACT .070, PTPPHBZ



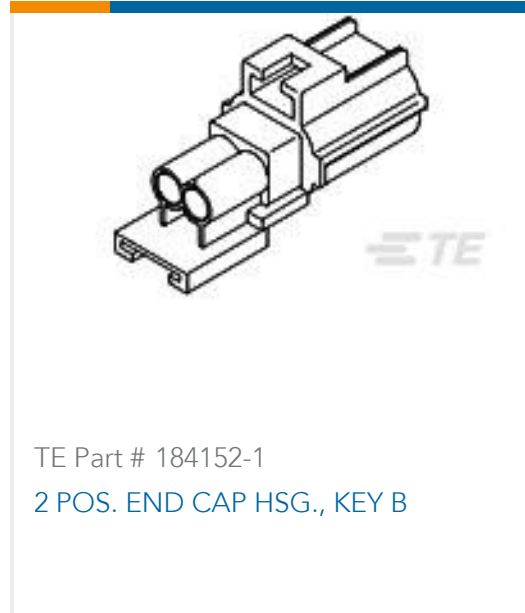
TE Part # 184139-1  
WIRE SEAL, RUBBER, SENSOR, BLUE



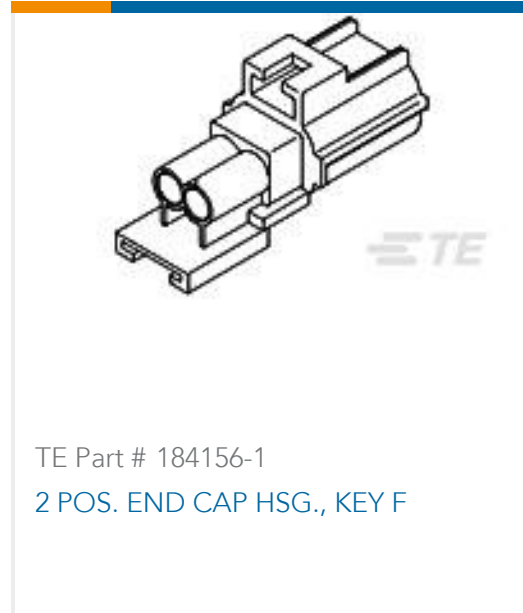
TE Part # 184154-1  
2 POS. END CAP HSG., KEY D



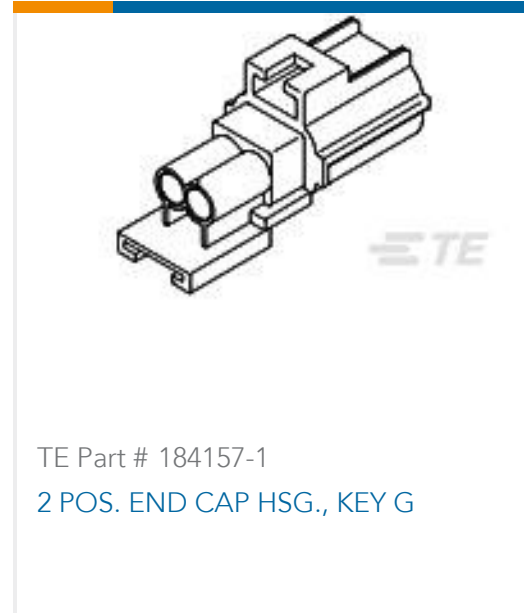
TE Part # 184373-2  
CONTACT, RECEPTACLE, .070 TYPE



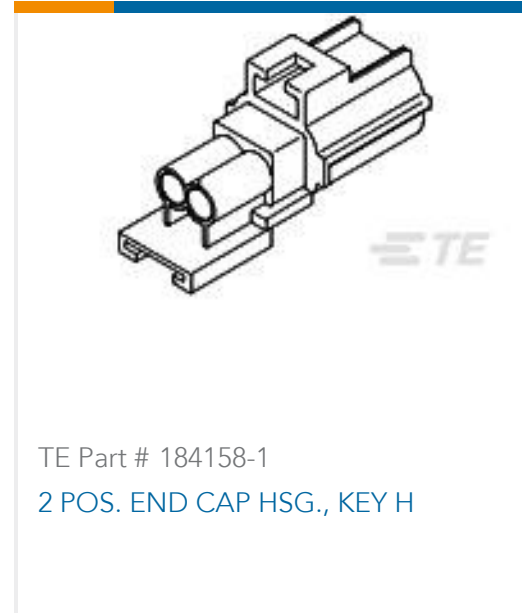
TE Part # 184152-1  
2 POS. END CAP HSG., KEY B



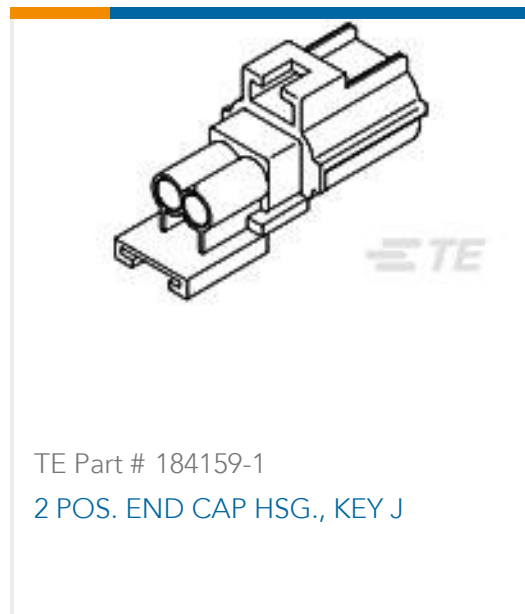
TE Part # 184156-1  
2 POS. END CAP HSG., KEY F



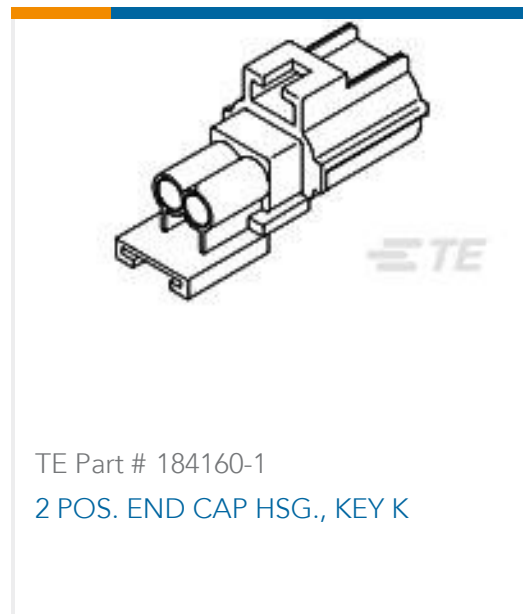
TE Part # 184157-1  
2 POS. END CAP HSG., KEY G



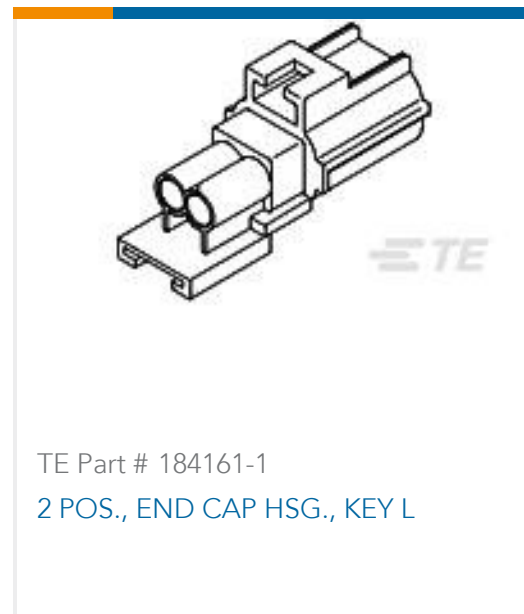
TE Part # 184158-1  
2 POS. END CAP HSG., KEY H



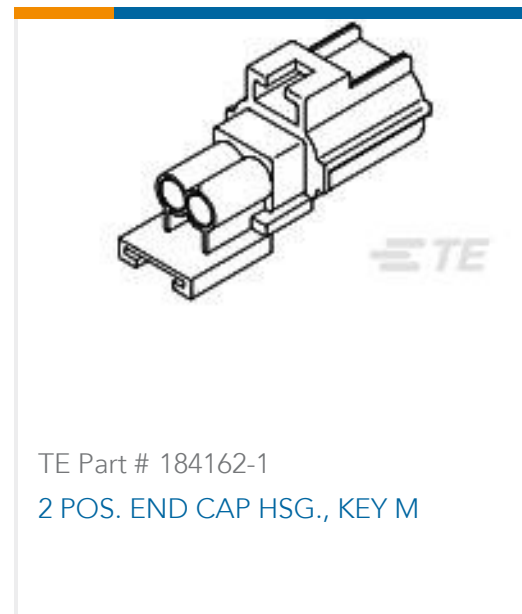
TE Part # 184159-1  
2 POS. END CAP HSG., KEY J



TE Part # 184160-1  
2 POS. END CAP HSG., KEY K



TE Part # 184161-1  
2 POS., END CAP HSG., KEY L

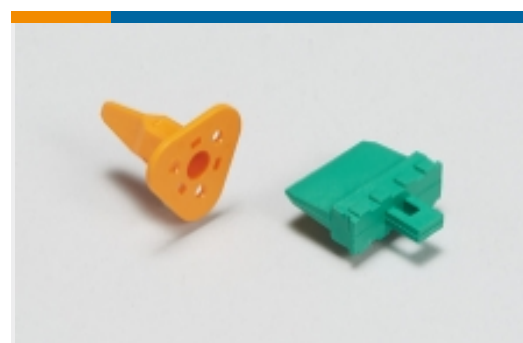


TE Part # 184162-1  
2 POS. END CAP HSG., KEY M

## Also in the Series | Sealed Sensor Connector SSC System



Automotive Connector Caps & Covers (7)



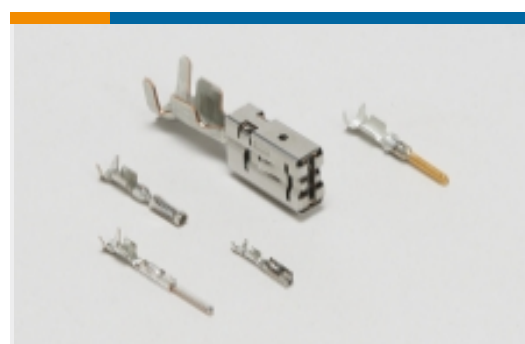
Automotive Connector Locks & Position Assurance (6)



Automotive Housings (177)



Automotive Seals & Cavity Plugs (3)



Automotive Terminals (8)



Insertion & Extraction Tools (1)



Other Automotive Connector Accessories (6)

## Customers Also Bought



TE Part #2013595-1  
INDUSTRIAL MINI I/O PLUG KIT D1



TE Part #173722-1  
187 PL EX REC. 26-20AWG PTBR



TE Part #1-1326032-1  
2.8MM RECP,SEAL,14AWG,REV REEL



TE Part #927774-3  
JPT REC 2.8 Contact SRC Sn



TE Part #HD16-9-96S-C016  
PLUG ASM



TE Part #1599027-1  
HSG ASSY 42P PIN CONTACT



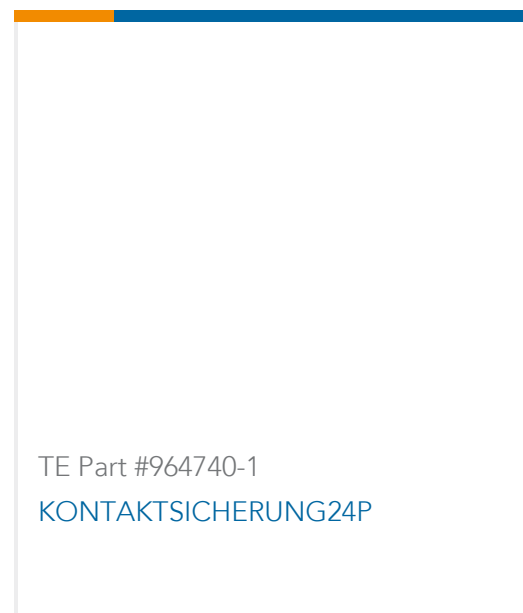
TE Part #1599028-1  
HSG ASSY 42P SOCKET CONTACT



TE Part #2098559-6  
6POS, MCON 1.2 CB REC 2p TL SEALED



TE Part #AGC110N00001215000  
623 RECEPTACLE ANGLED ROTATABLE



TE Part #964740-1  
KONTAKTSICHERUNG24P

## Documents

### Product Drawings

2 POS. PLUG ASSY, KEY D, GRAY

English

### CAD Files

Customer View Model

[ENG\\_CVM\\_CVM\\_184006-2\\_C.2d\\_dxf.zip](#)

English

### 3D PDF

3D

Customer View Model

[ENG\\_CVM\\_CVM\\_184006-2\\_C.3d\\_igs.zip](#)

English

Customer View Model

[ENG\\_CVM\\_CVM\\_184006-2\\_C.3d\\_stp.zip](#)

English

By downloading the CAD file I accept and agree to the [Terms and Conditions](#) of use.

## Product Specifications



### Application Specification

English

---

### Instruction Sheets

#### Instruction Sheet (U.S.)

English

#### Positioning the Double Lock Plate

English