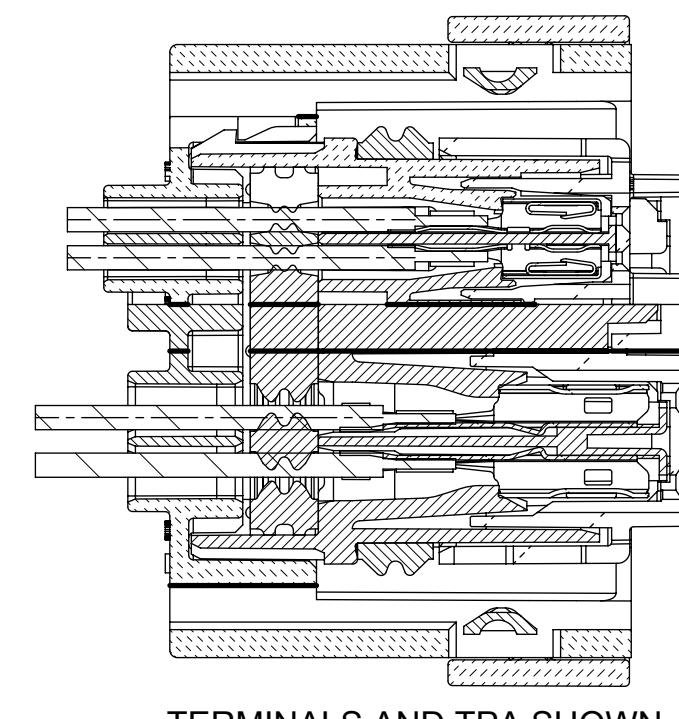
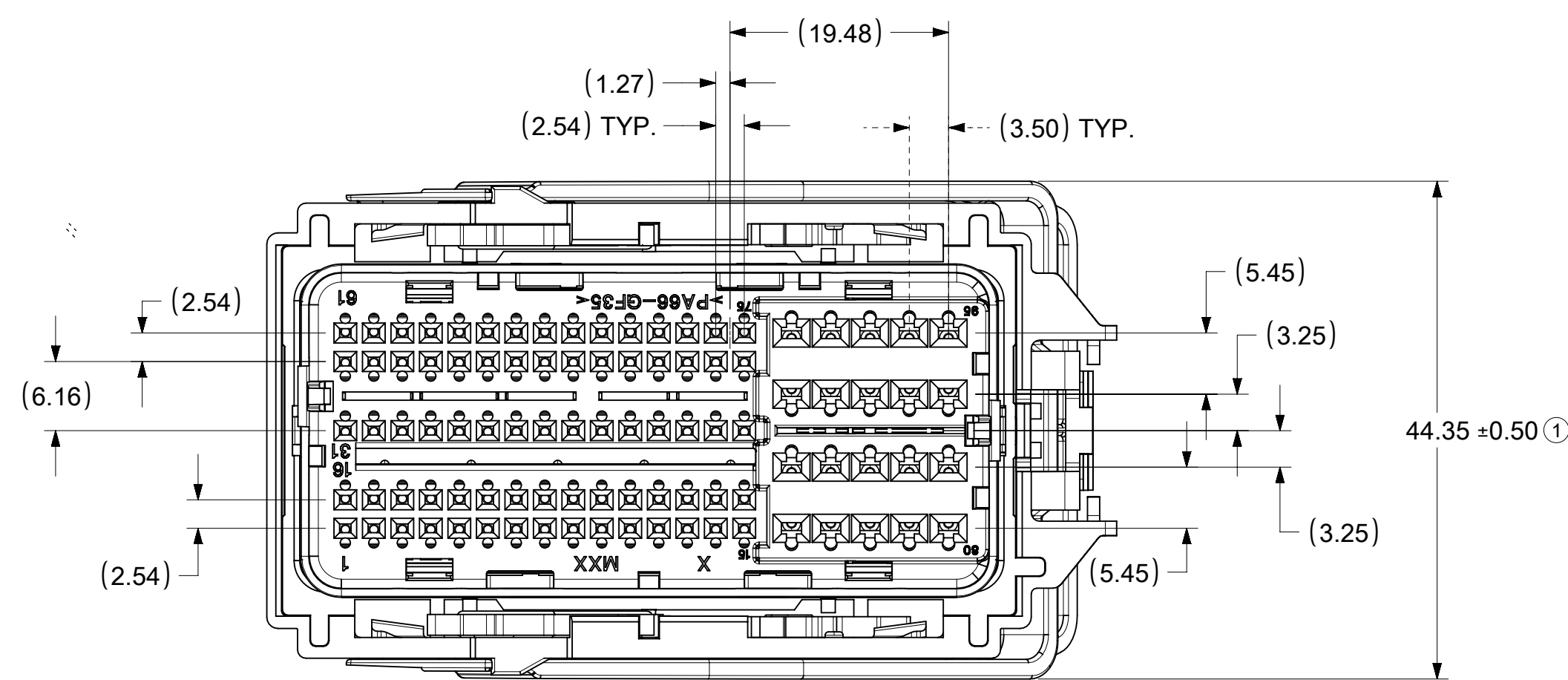
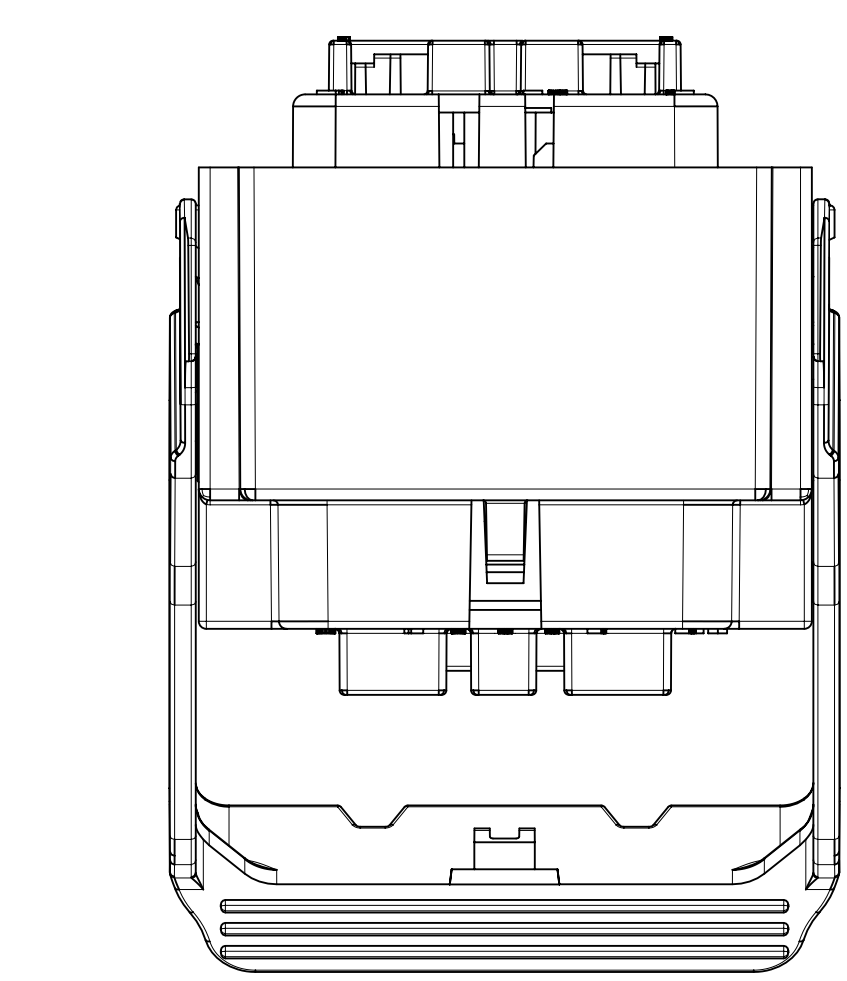


LEG TO BE DEPRESSED BEFORE CLOSING TPA. 2 PLACES - SEE NOTE #17

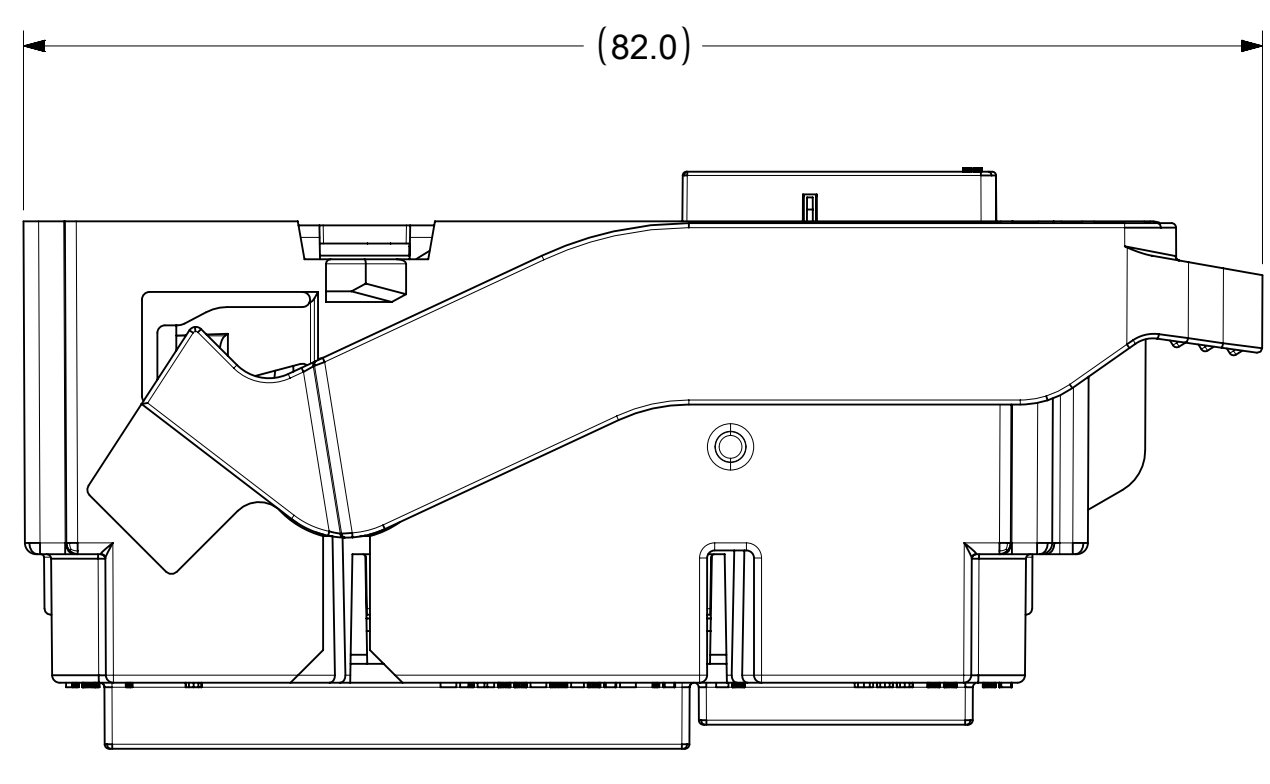
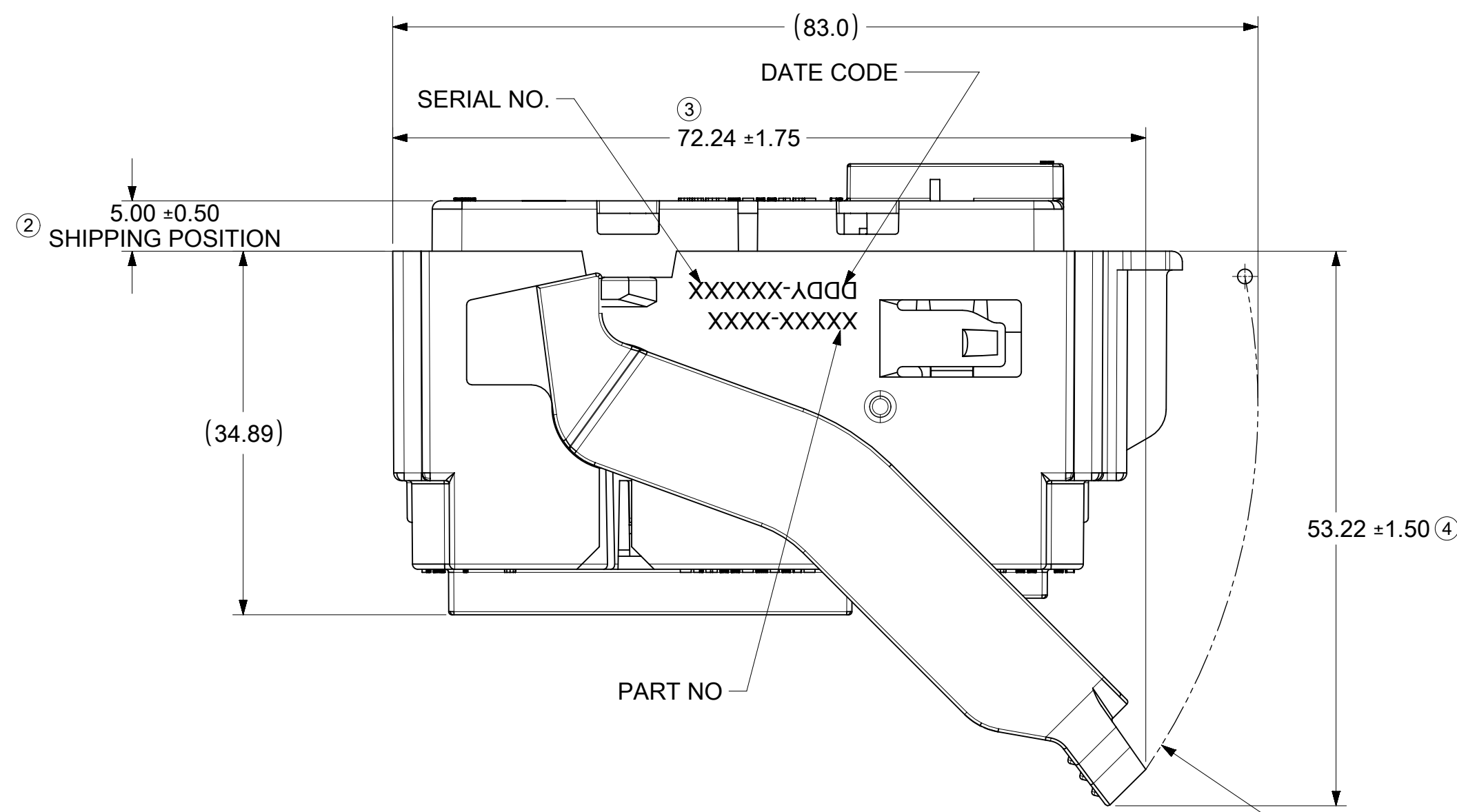
Section Z-Z



TERMINALS AND TPA SHOWN IN FINAL LOCKED POSITION
Section X-X

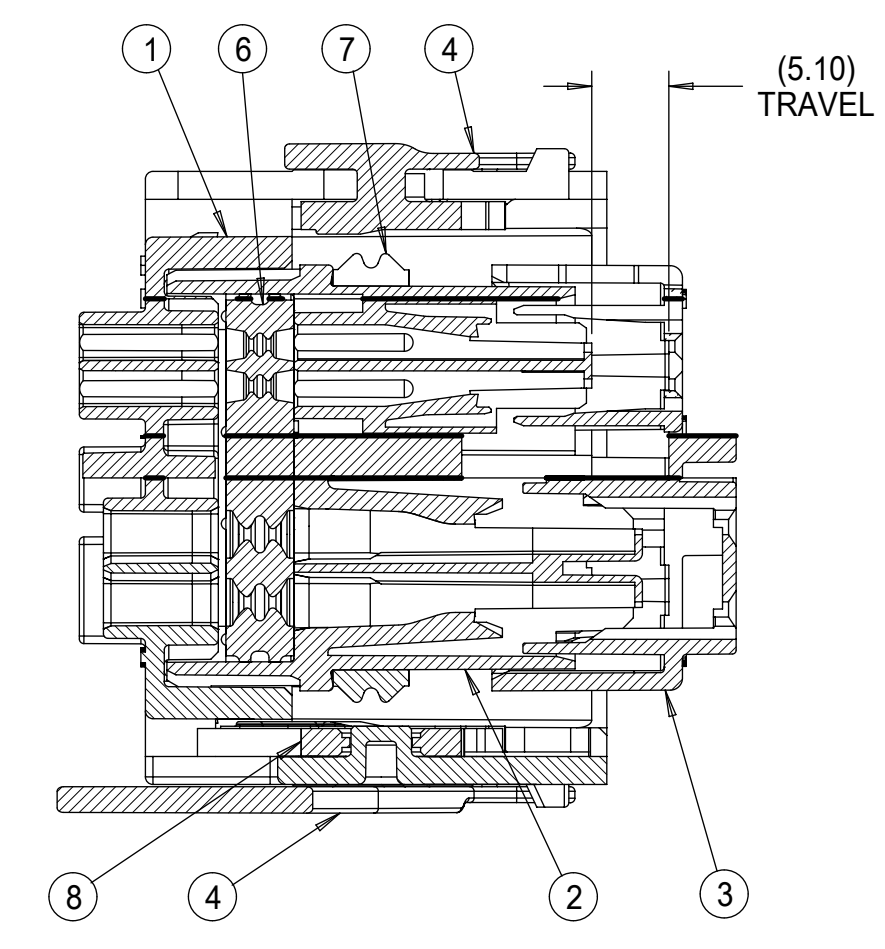
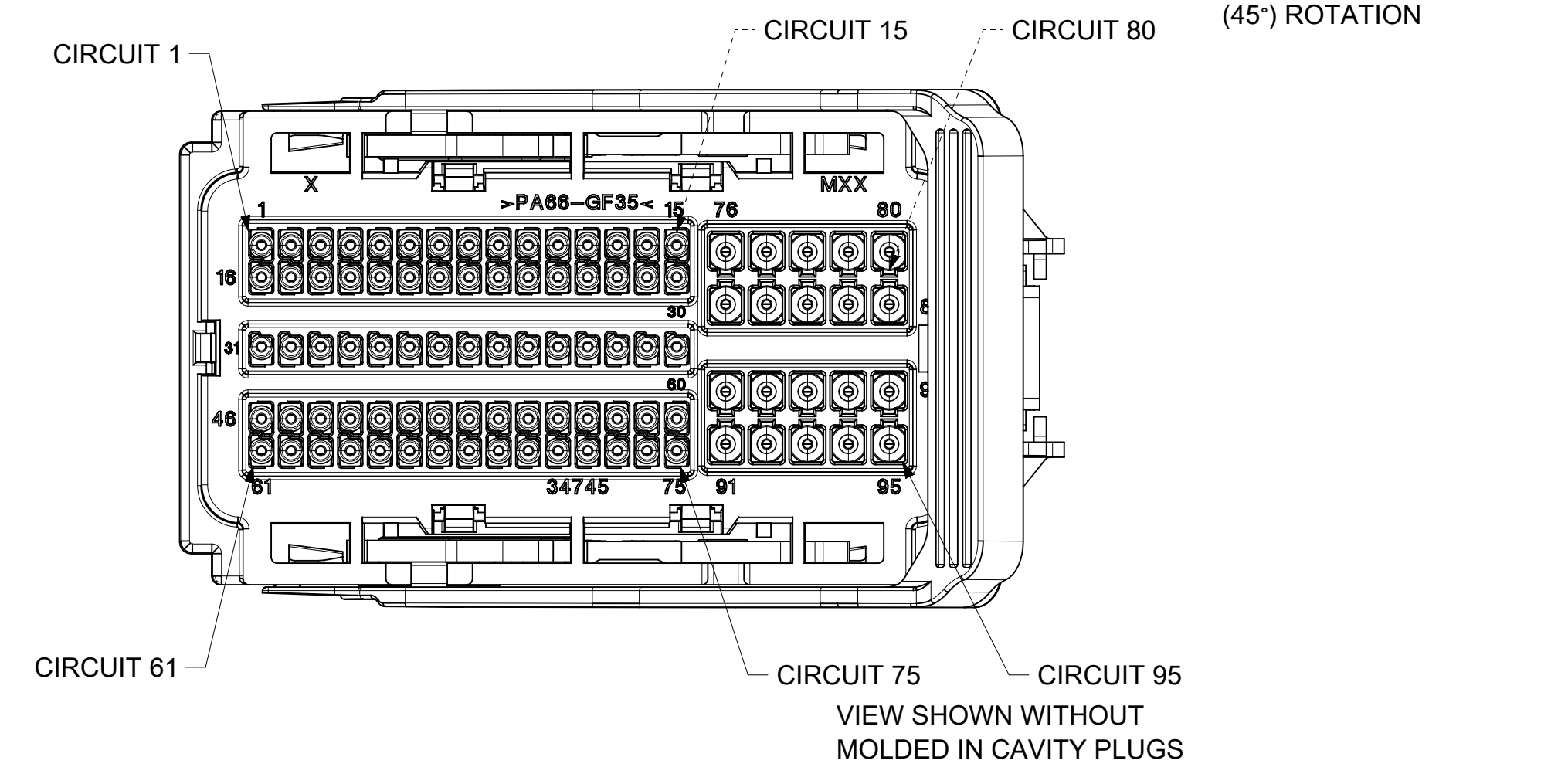


TPA SHOWN IN OPEN POSITION AND LEVER IN PRE-MATE POSITION

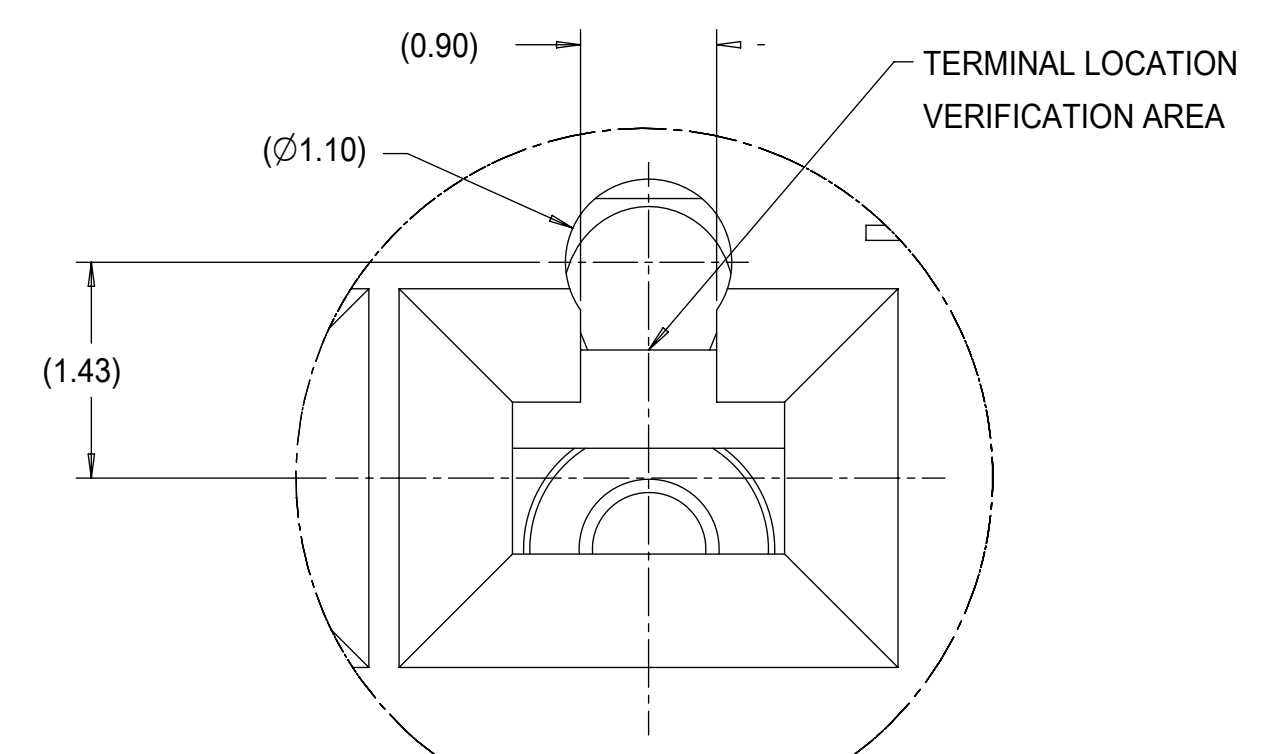
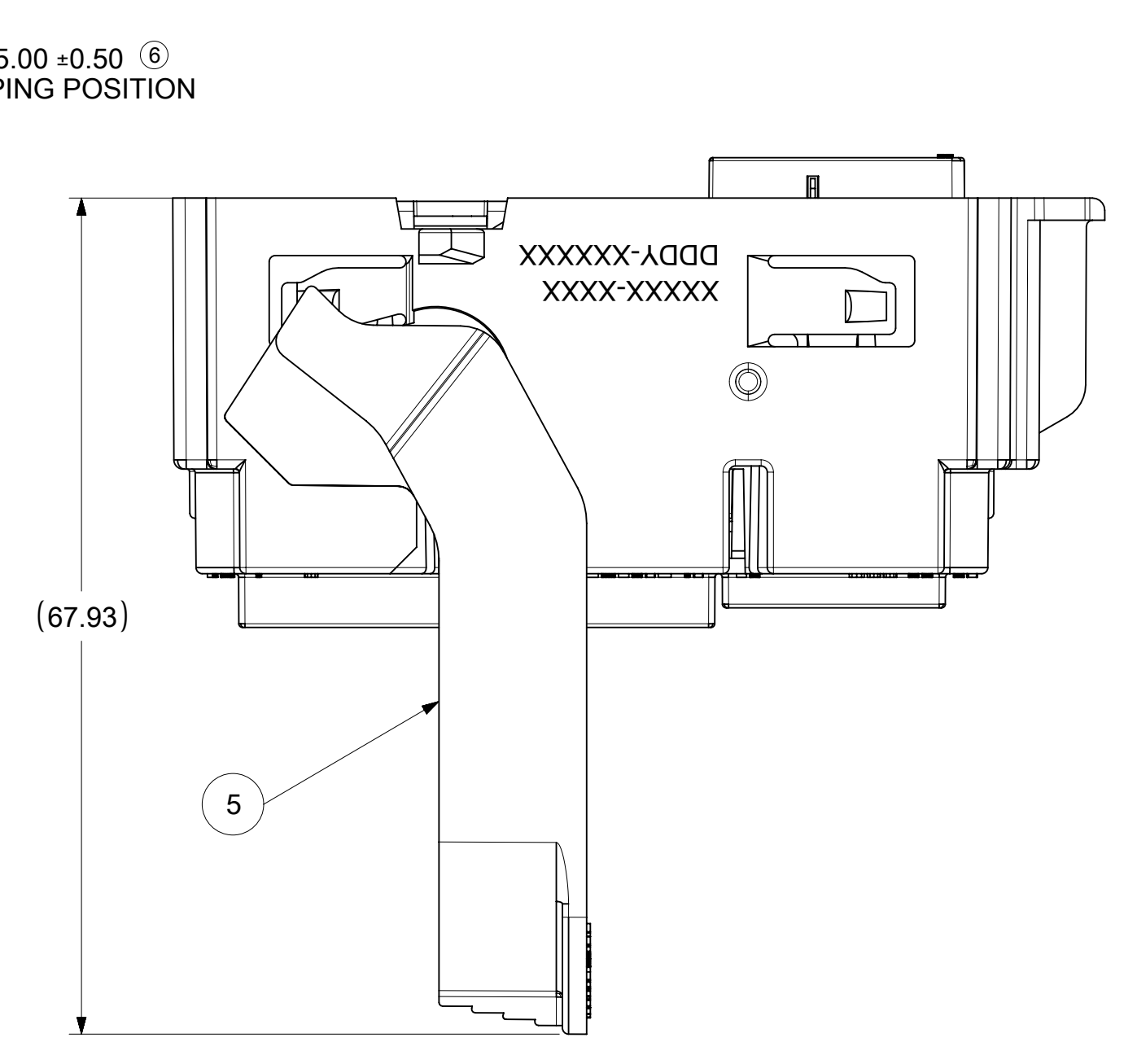
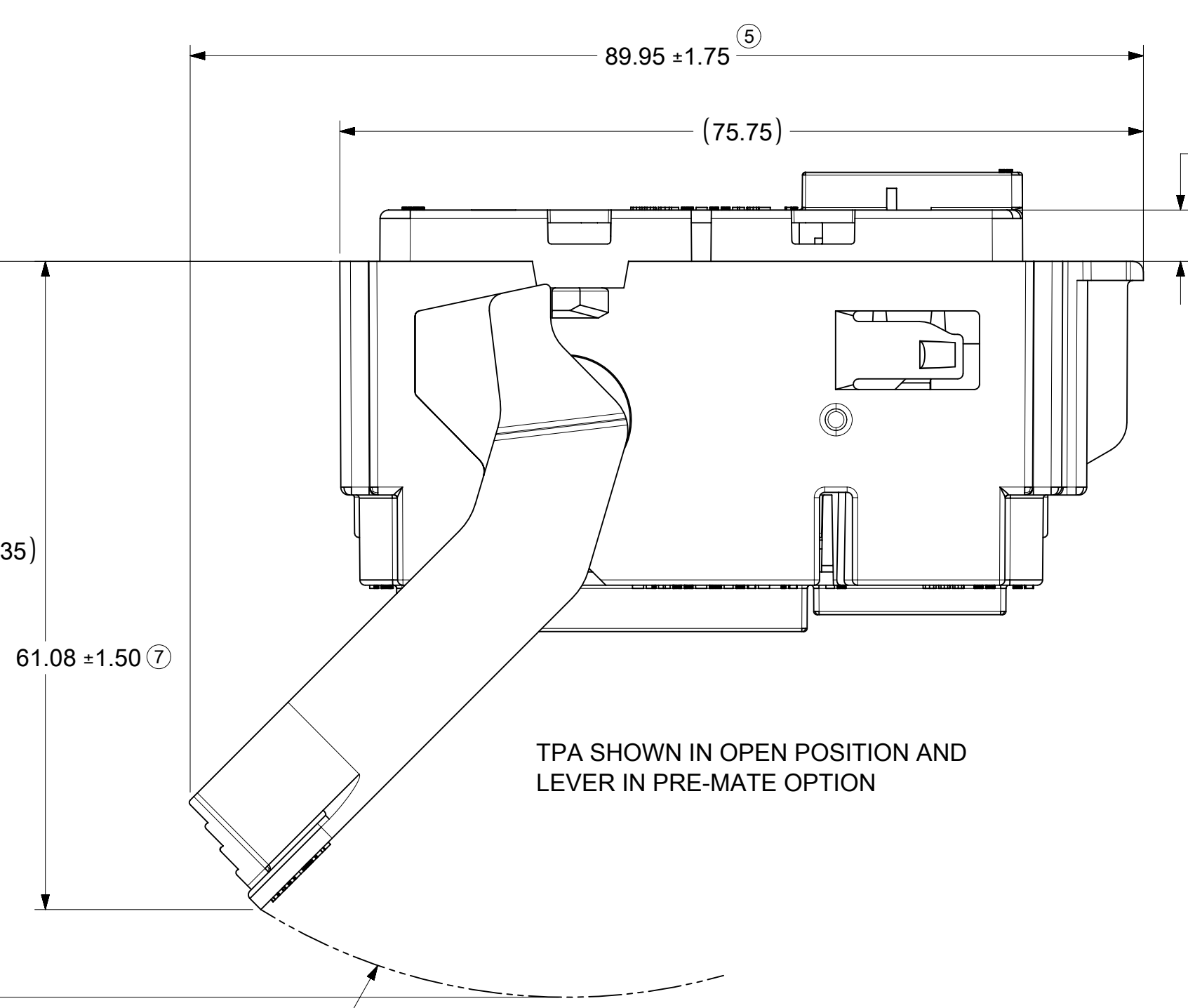


TPA SHOWN IN CLOSED POSITION AND LEVER IN MATE POSITION

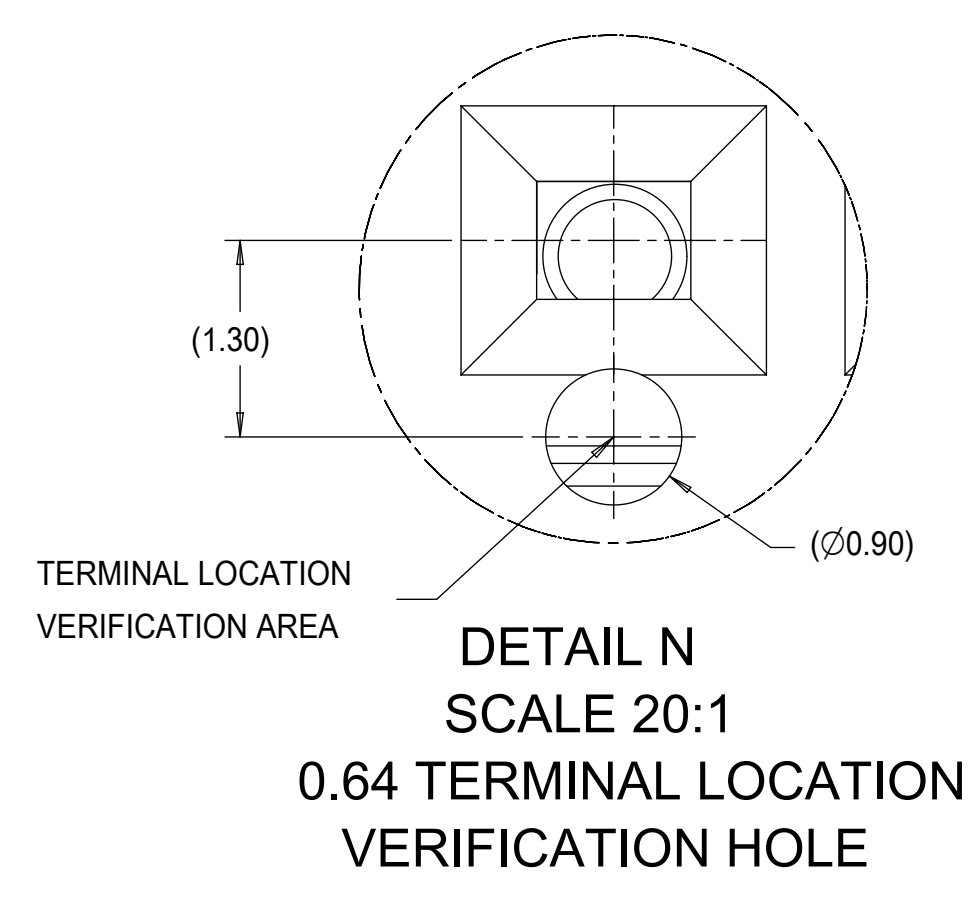
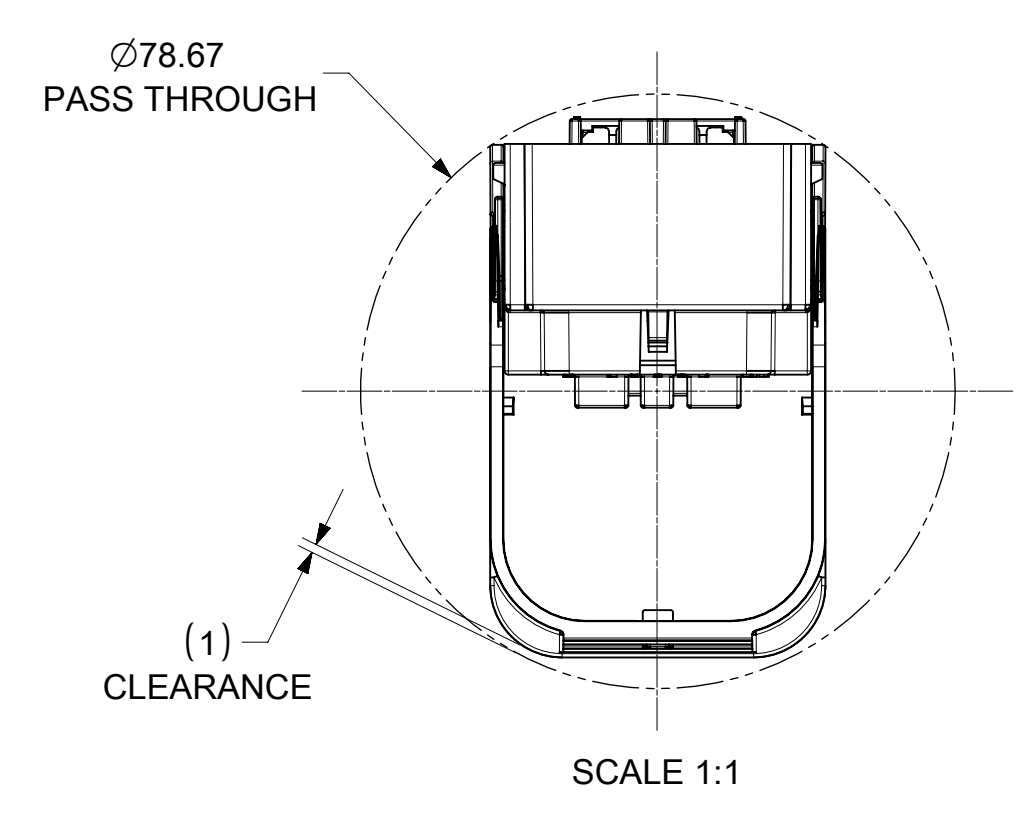
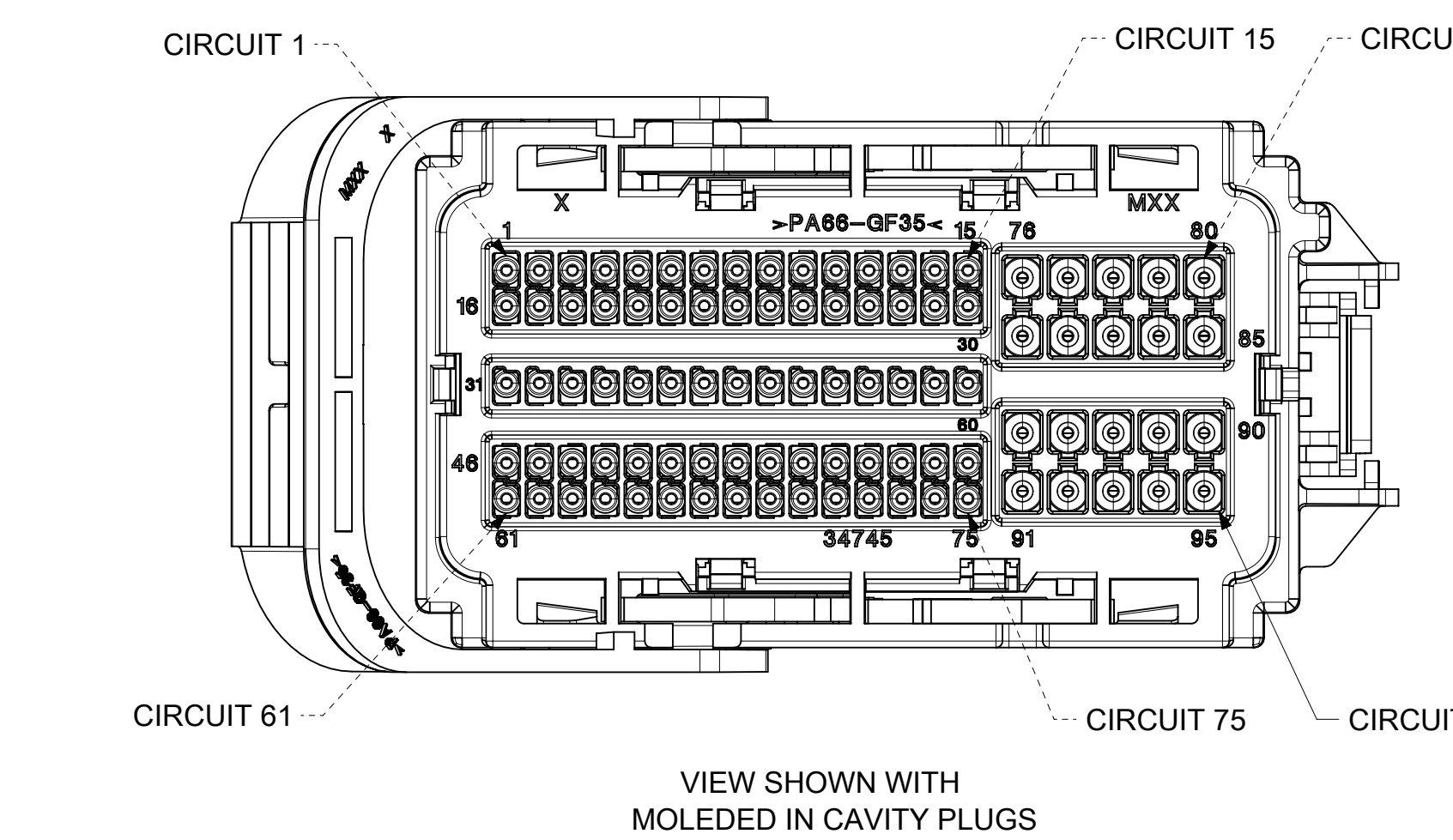
AROUND-THE-END LEVER OPTION
P/N 34992-0001, KEY 1



Section Y-Y



DETAIL M
SCALE 20:1
1.5 TERMINAL LOCATION
VERIFICATION HOLE



DETAIL N
SCALE 20:1
0.64 TERMINAL LOCATION
VERIFICATION HOLE

OVER-THE-TOP LEVER OPTION
P/N 34992-1001, KEY 1

BILL OF MATERIAL												
QTY.		ITEMS		SUPPLIER PART NUMBER		DESCRIPTION		COLOR	RECYCLING CODE	WEIGHT (EST)		
				1	1	347450501	OUTER SHROUD HOUSING KEYING OPTION "1"	BLACK	>PA66-GF35<	26.24g		
				1	1	347450502	OUTER SHROUD HOUSING KEYING OPTION "2"	BLACK	>PA66-GF35<	26.24g		
				1	1	347450503	OUTER SHROUD HOUSING KEYING OPTION "3"	BLACK	>PA66-GF35<	26.24g		
	1	1		1	1	347450504	OUTER SHROUD HOUSING KEYING OPTION "4"	BLACK	>PA66-GF35<	26.24g		
1	1			1	1	347450505	OUTER SHROUD HOUSING KEYING OPTION "5"	BLACK	>PA66-GF35<	26.24g		
1	1	1	1	1	1	1	347450300	KEY SECTION HOUSING	BLACK	>PA66-GF35<	19.88g	
1	1	1	1	1	1	1	349920401	TPA	NATURAL	>PA66-GF35<	7.77g	
1	1	1	1	1	1	1	347450801	MATE ASSIST LEVER END LATCH	GRAY	>PA66-GF35<	6.54g	
1	1	1	1	1	1	5	347450802	MATE ASSIST LEVER TOP LATCH	GRAY	>PA66-GF35<	6.10g	
1	1	1	1	1	1	6	347450600	GROMMET SEAL	GREEN	NA	5.94g	
1	1	1	1	1	1	7	347450700	INTERFACIAL SEAL	GREEN	NA	1.47g	
2	2	2	2	2	2	2	2	347450805	LEVER ARM	GRAY	>PA66-GF35<	0.55g
349929001	349928001	349927001	349926001	349925001	349924001	349923001	349922001	349921001	349920001	MOLEX ASSY PART NUMBER	ALL CAVITY PLUGS REMOVED	

- NOTES: UNLESS OTHERWISE SPECIFIED
- PART MUST CONFORM TO USCAR/SAE-2 REV 5 DATED NOV2007. EXCEPTIONS: NONE
 - THE OPERATING ENVIRONMENT CRITERIA FOR THIS CONNECTOR SYSTEM IS USCAR TEMPERATURE CLASS 3, SEALING CLASS S3 AND VIBRATION CLASS V1.
 - ASSEMBLIES WILL ONLY PASS THE HIGH PRESSURE SPRAY REQUIREMENT WITH A WIRE DRESS COVER ATTACHED
 - MAXIMUM LEVER ENGAGEMENT FORCE POPULATED WITH TERMINALS IS NOT TO EXCEED 75N.
 - TERMINAL TPA/PLR IS SHIPPED TO HARNESS MANUFACTURER IN PRE-LOAD POSITION AS SHOWN.
 - ALL PLASTIC PARTS MUST HAVE MATERIAL IDENTIFICATION SYMBOLS CLEARLY MARKED, WHEREVER PACKAGE SIZE PERMITS.
 - ENGINEERING APPROVAL REQUIRED FOR ALL SOURCING AND TOOLING OF THIS PART.
 - FOR ENGINEERING APPROVED SOURCE SEE ENGINEERING RELEASE.
 - ENGINEERING APPROVAL OF SAMPLE FROM SUPPLIER IS REQUIRED PRIOR TO AUTHORIZATION OF PART PRODUCTION.
 - CHANGES IN DESIGN COMPOSITION OR PROCESSING OF THE PART PREVIOUSLY APPROVED FOR PART PRODUCTION REQUIRES PRIOR ENGINEERING APPROVAL.
 - GENERAL TOLERANCE: LINEAR DIMENSION: ±0.10 ANGULAR DIMENSION: ±3°
 - 0.3 MAXIMUM RADIUS PERMISSIBLE ON EDGES AND FILLETS SHOWN AS SHARP FOR PLASTIC PARTS.
 - PARTS ARE TO BE FREE OF SCRATCHES, DISCOLORATION, SALT RESIDUE, OR OTHER IMPERFECTIONS THAT MAY AFFECT FUNCTION OR FIT OF PART.
 - 25% MAXIMUM REGRIND ALLOWABLE.
 - SEE MOLEX APPLICATION SPEC AS-34992-001 FOR CONNECTOR SERVICE & USAGE INSTRUCTIONS.
 - OPTIONAL WIREDRESS COVERS FOR THE AROUND-THE-END LEVER OPTION: ARE SHIPPED SEPARATELY.
 - WIREDRESS COVER FOR THE OVER-THE-TOP LEVER OPTION IS SHIPPED SEPARATELY.
 - OPTIONAL 0.64 LOOSE PIECE PLUG, 34676-0002 IS SHIPPED SEPARATELY.
 - OPTIONAL 1.5 LOOSE PIECE PLUG, 34345-4001, IS SHIPPED SEPARATELY.
 - MOLEX MX150 TERMINAL REMOVAL TOOL P/N 63813-1500.
 - MOLEX 0.64 TERMINAL REMOVAL TOOL P/N 63813-3501.
 - TPA/PLR MUST BE REMOVED TO SERVICE THE 0.64 TERMINALS.
 - TPA SEATING TOOL P/N 346760200 / 346760201 SEE SHEET 2 FOR ADDITIONAL INFORMATION
 - FOR PINOUT AND DRESS COVER CONFIGURATION CHART SEE DOCUMENT: 349920002-SD

DESCRIPTION	NOMINAL TERMINAL SIZE	COLOR/PLATING	SUPPLIER PART NUMBER	MATERIAL SPECIFICATION NUMBER	APPLICABLE WIRE SIZE
					MIL 123A
TERMINAL - FEMALE (Ag)	0.64	SILVER	2077131254	COPPER ALLOY/SILVER PLATE	ES-AU5T-1A348-AA REV. A
					0.35mm² (DIA 1.20 - 1.40)
TERMINAL - FEMALE (Ag)	0.64	SILVER	2077131354	COPPER ALLOY/SILVER PLATE	0.50mm² (DIA 1.40 - 1.70)
					0.75mm² (DIA 1.70 - 1.90)
TERMINAL - FEMALE (Sn)	1.50	TIN	330122003	COPPER ALLOY/TIN PLATE	22AWG (DIA 1.50 - 1.65)

TERMINAL - FEMALE (Sn)	1.50	TIN	330122004	COPPER ALLOY/TIN PLATE	0.35mm² (DIA 1.20 - 1.40)
					0.50mm² (DIA 1.40 - 1.70)
TERMINAL - FEMALE (Sn)	1.50	TIN	330122002	COPPER ALLOY/TIN PLATE	20AWG (DIA 1.70 - 1.85)
					0.75mm² (DIA 1.70 - 1.90)
TERMINAL - FEMALE (Sn)	1.50	TIN	330122001	COPPER ALLOY/TIN PLATE	18AWG (DIA 1.91 - 2.06)
					0.80mm²
TERMINAL - FEMALE (Sn)	1.50	TIN	330122001	COPPER ALLOY/TIN PLATE	16AWG (DIA 2.18 - 2.34)
					1.50mm² (DIA 2.20 - 2.40)

THIS DRAWING CONTAINS INFORMATION THAT IS PROPRIETARY TO MOLEX ELECTRONIC TECHNOLOGIES, LLC AND SHOULD NOT BE USED WITHOUT WRITTEN PERMISSION

CURRENT REV DESC: NOTE AND TABLE UPDATED

SYMBOLS: 0 = 0 DIMENSION UNITS mm SCALE 2:1

GENERAL TOLERANCES (UNLESS SPECIFIED): ANGULAR TOL ±

4 PLACES ±

3 PLACES ±

2 PLACES ±

1 PLACE ±

0 PLACES ±

DRAFT WHERE APPLICABLE MUST REMAIN WITHIN DIMENSIONS

THIRD ANGLE PROJECTION

E-SIZE 34992

EC NO: 677806

DRWN: NBOHIDAR 2021/09/15

CHK'D: BDICK01 2021/09/28

APPR: BDICK01 2021/09/28

INITIAL REVISION:

DRWN: NBOHIDAR 2018/09/01

APPR: APROFFITT 2018/09/07

PRODUCT CUSTOMER DRAWING

DOCUMENT NUMBER: 349920001-SD

DOC TYPE: PSD

DOC PART: 000

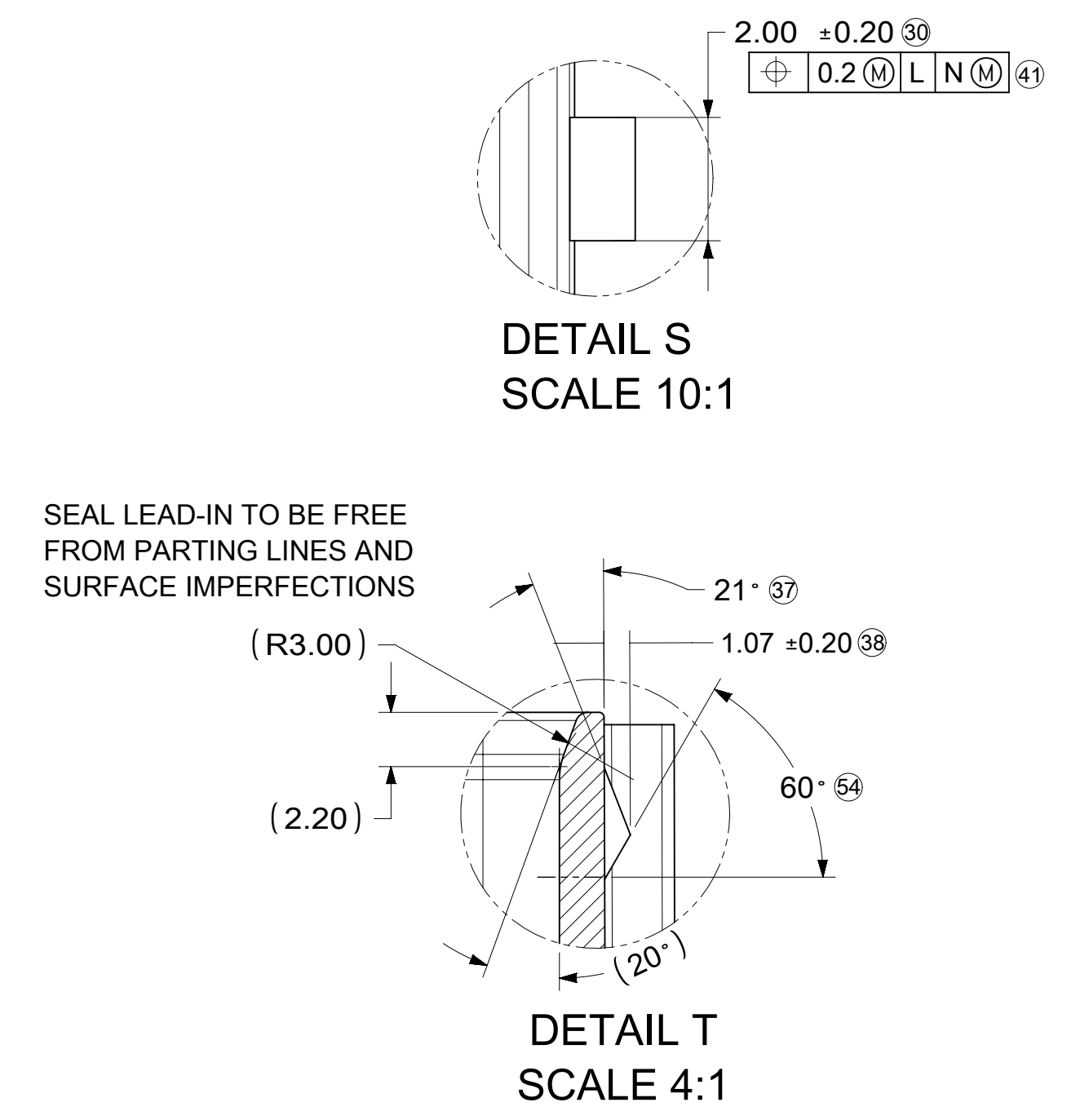
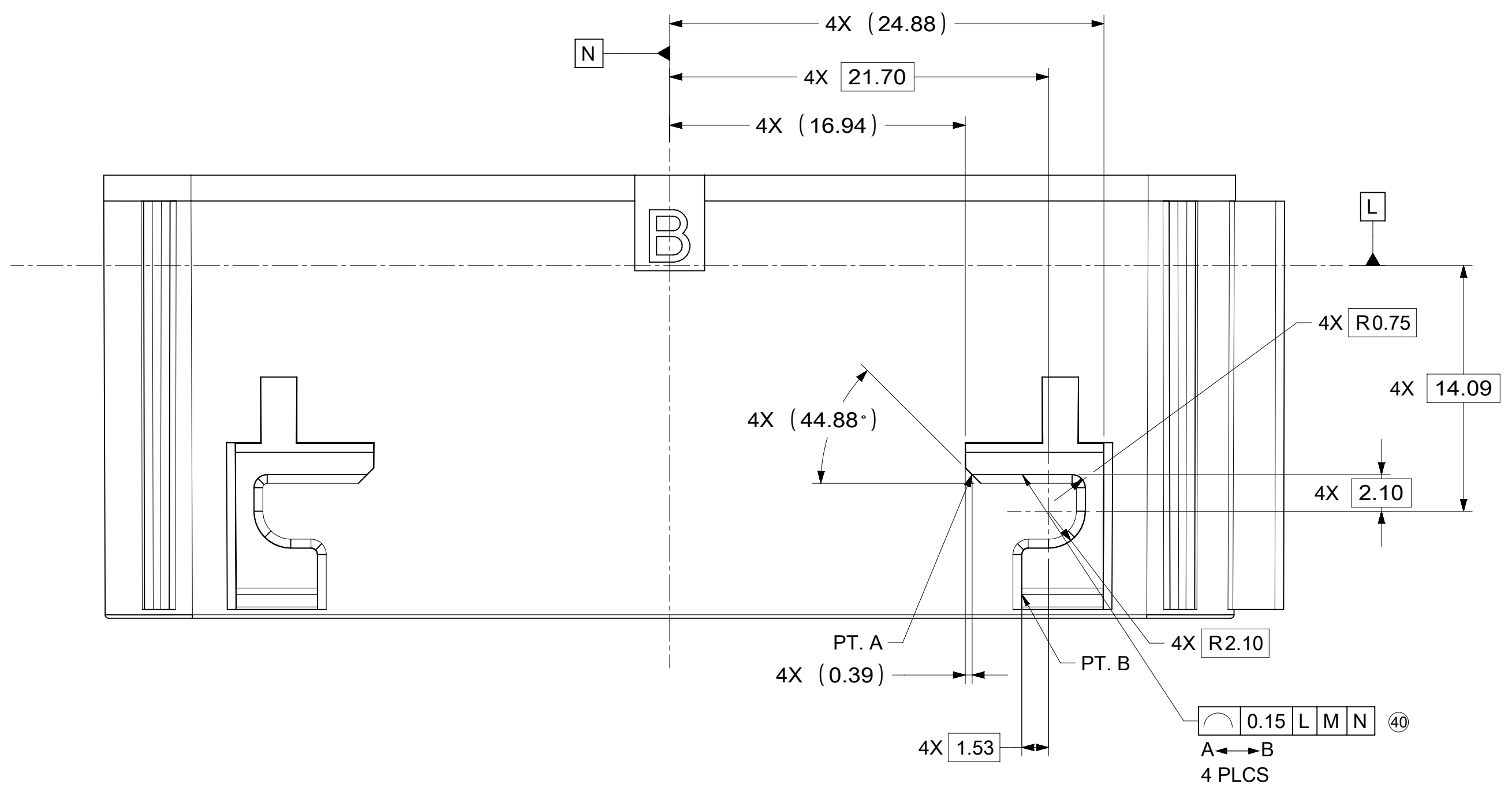
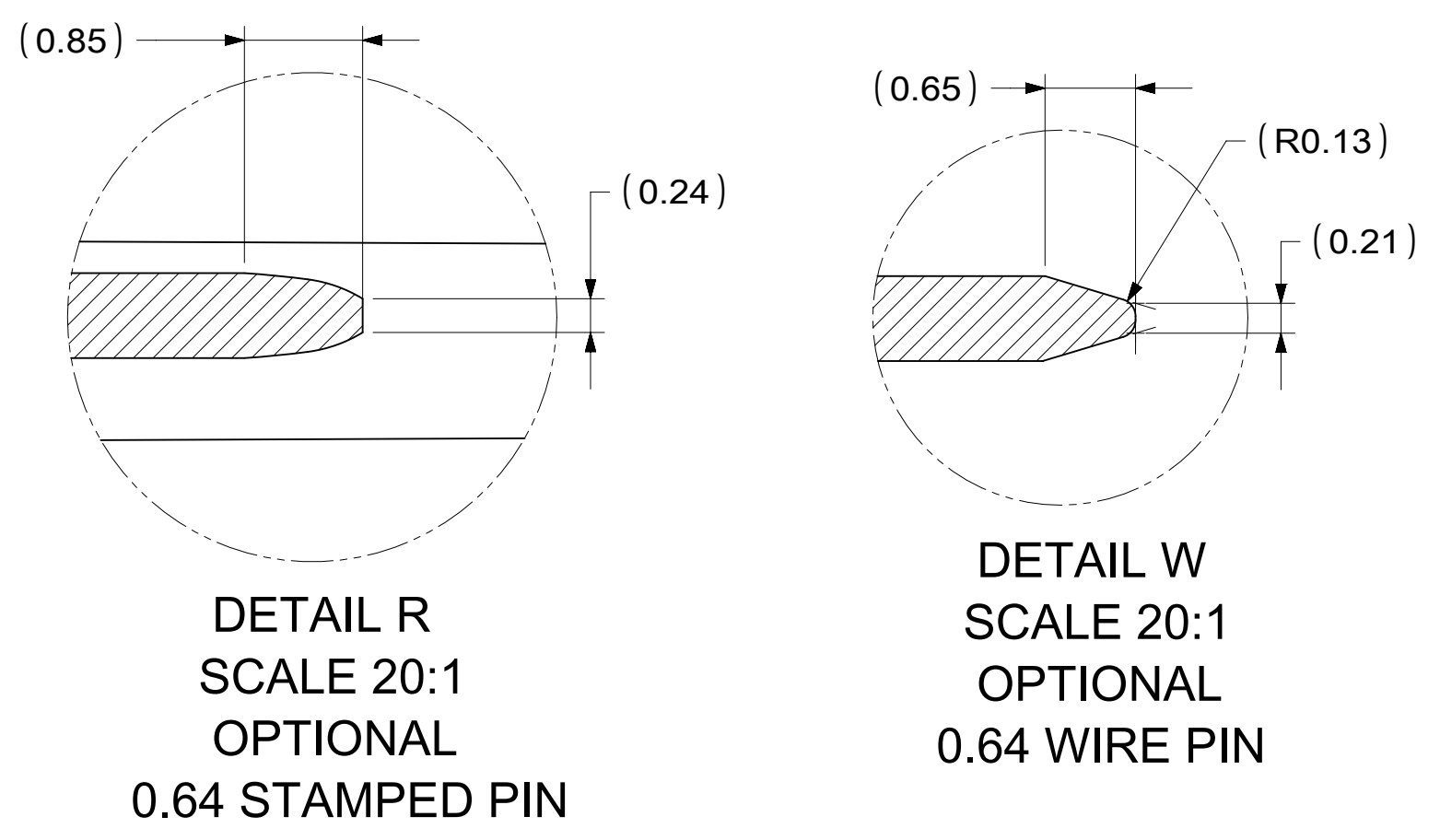
REVISION: A8

MATERIAL NUMBER: CHARTED

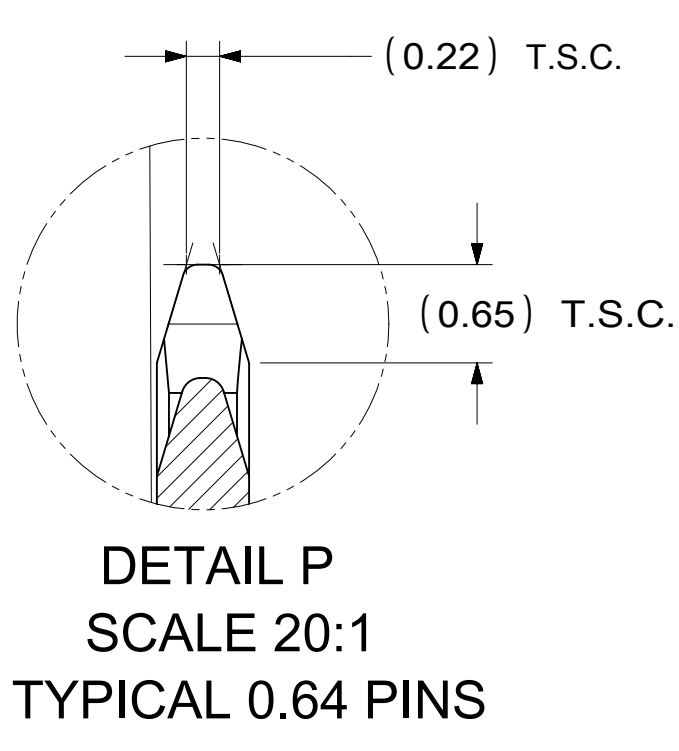
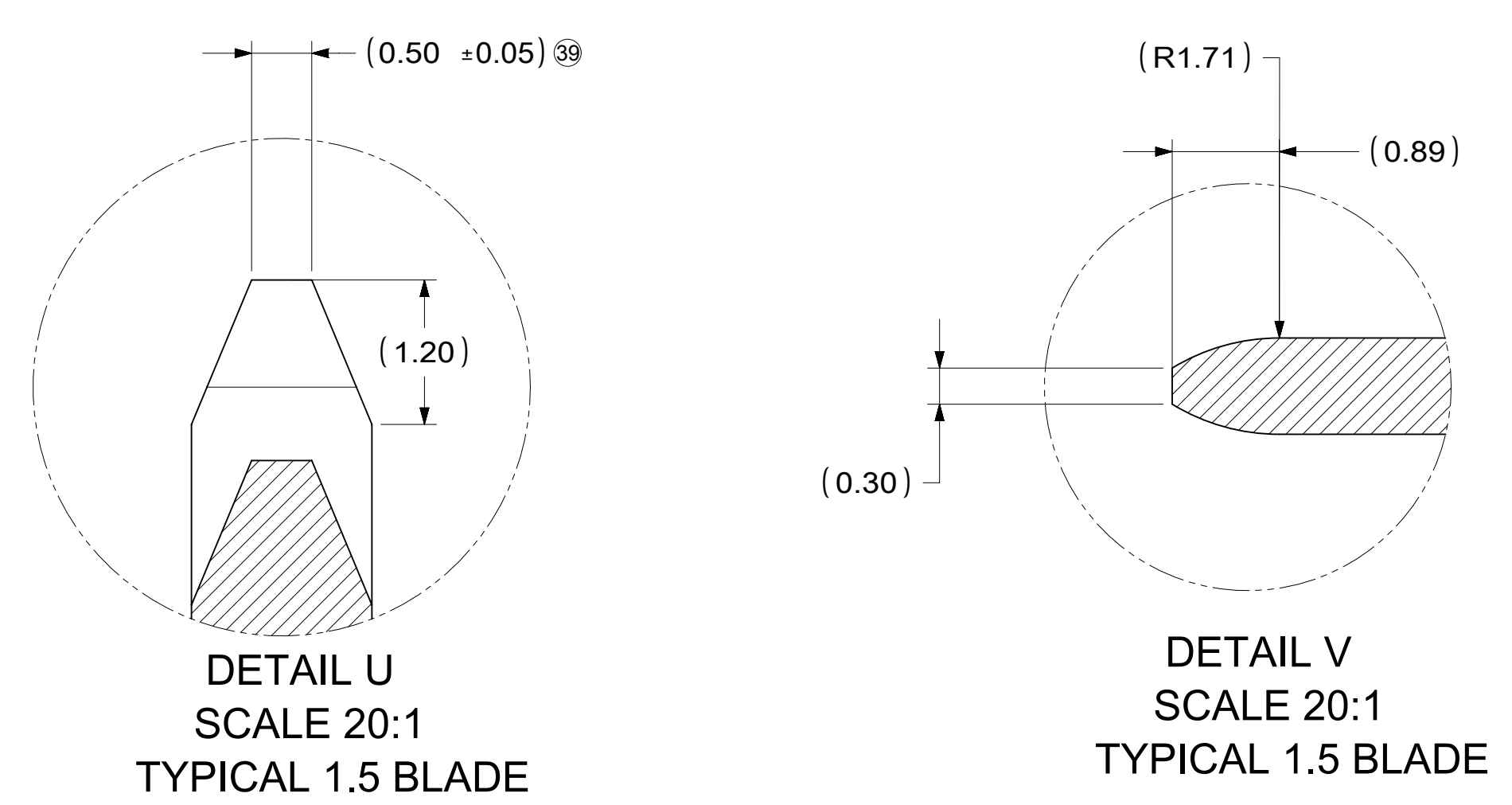
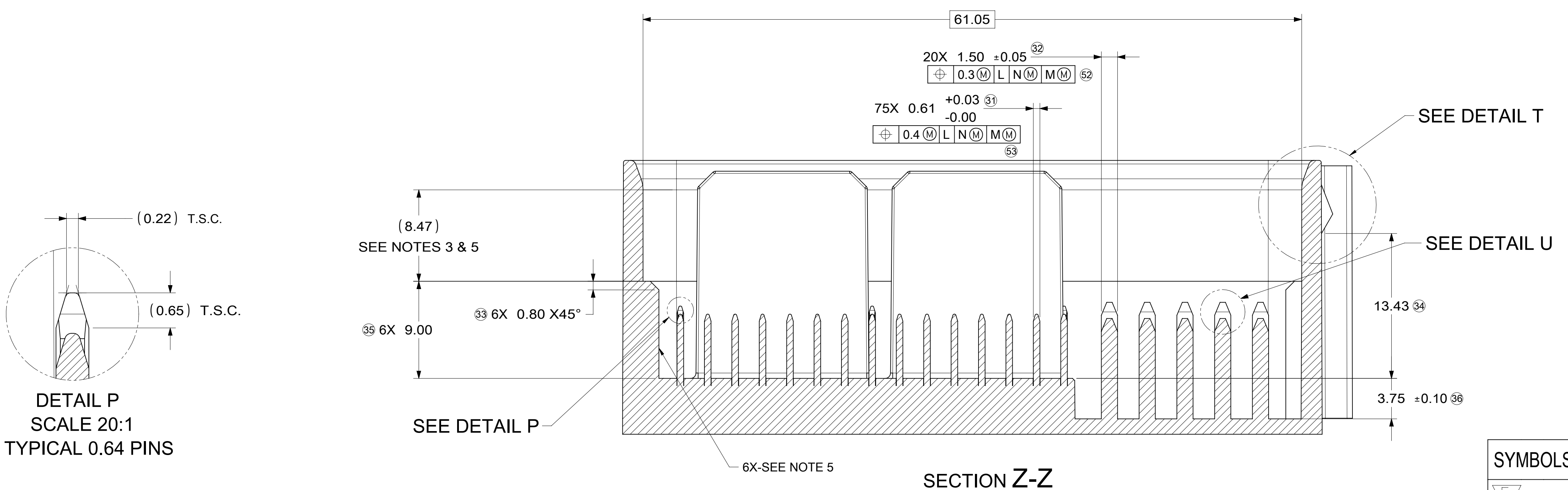
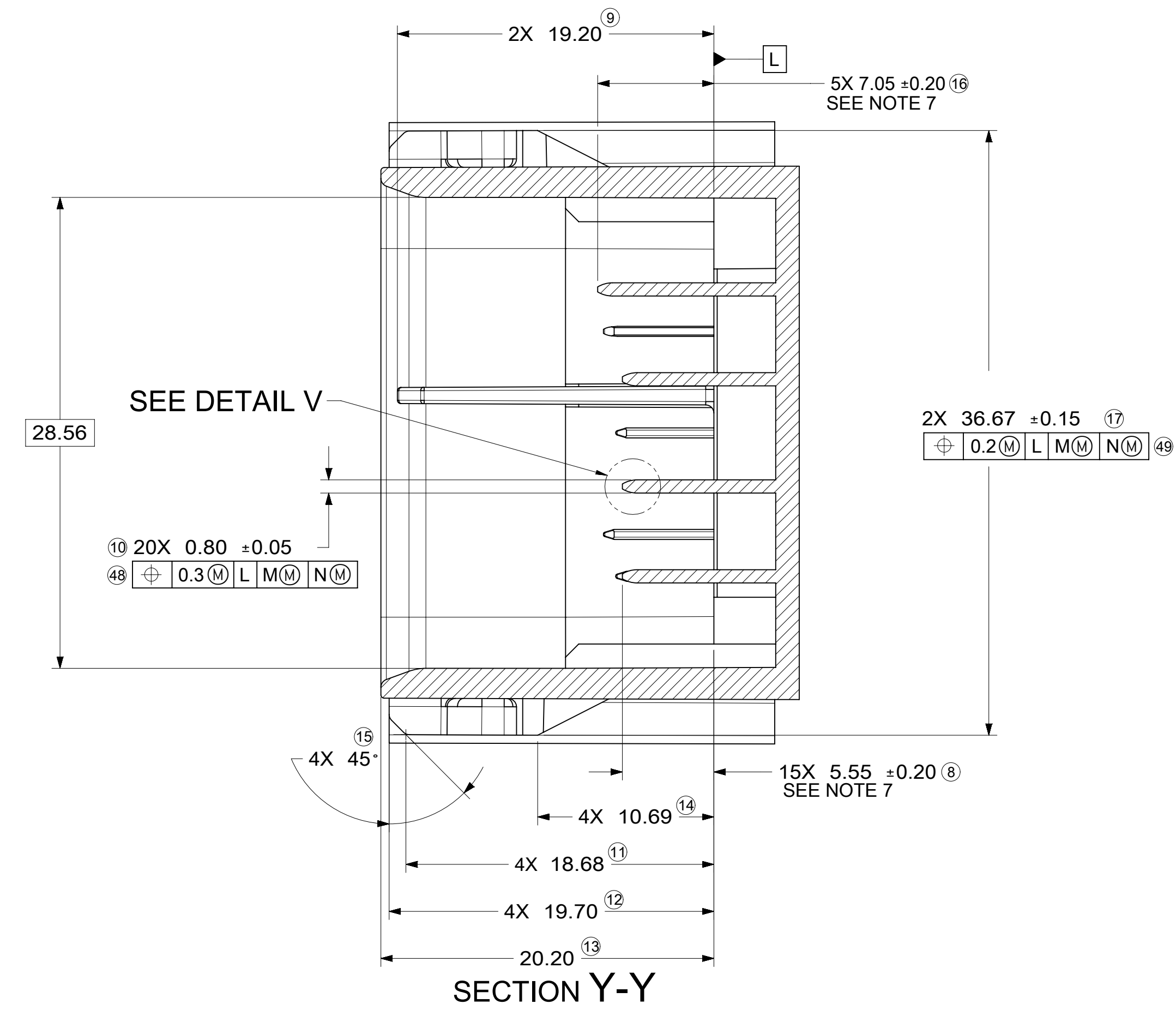
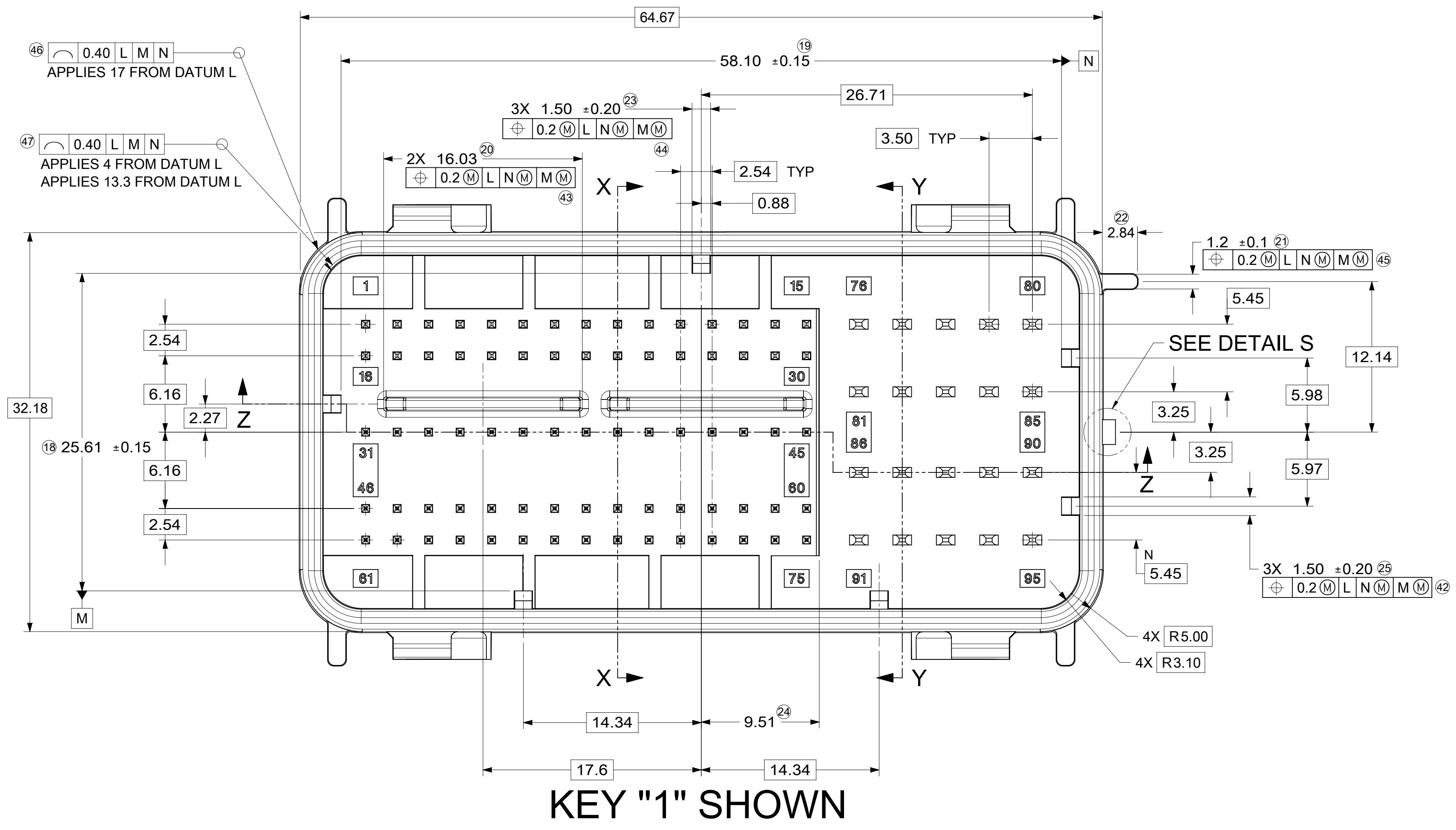
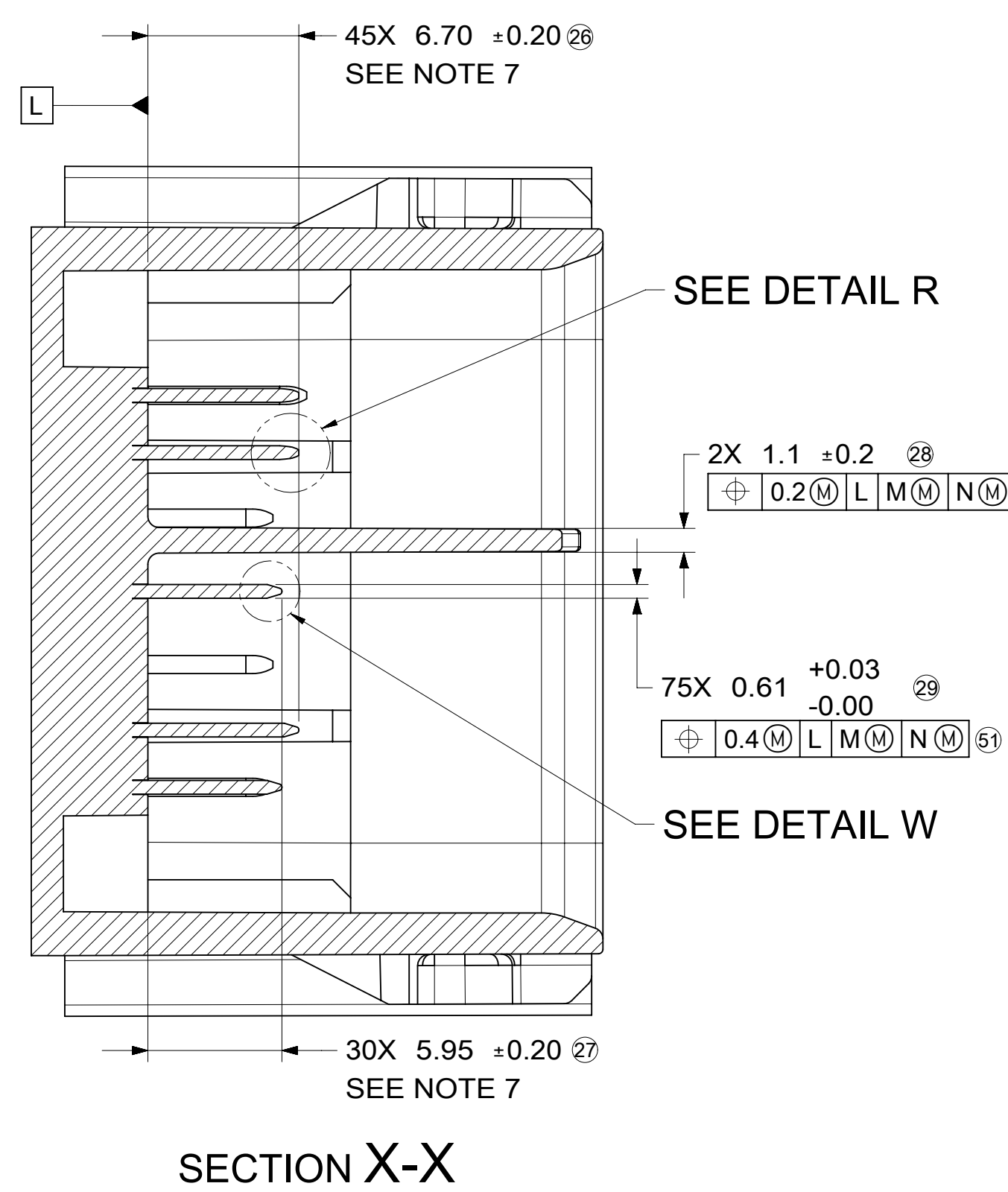
CUSTOMER: GENERAL MARKET

SHEET NUMBER: 1 OF 3

RECOMMENDED MATING INTERFACE



- NOTES FOR INTERFACE: UNLESS OTHERWISE SPECIFIED
- GENERAL TOLERANCES:
LINEAR DIMENSIONS: +0.20
ANGULAR DIMENSIONS: +3°
 - DRAFT ANGLE PERMISSIBLE ONLY WITHIN DRAWING TOLERANCE.
 - SEAL SURFACE: NO WITNESS LINES OR IMPERFECTIONS PERMITTED IN THIS AREA.
 - ALL UNMARKED RADII TO BE 0.5 MAX. UNLESS OTHERWISE SPECIFIED.
 - ZERO DRAFT AREA
 - CONNECTION SYSTEM VALIDATED TO OFFCAR2, REVISION 5
 - PIN ROW HEIGHTS ARE INTENTIONALLY OFFSET
- POWER CONTACT PIN NOTES: (1.5 CIRCUITS)
- MATERIAL: Cu ALLOY
WITH TENSILE STRENGTH > 410 N/mm²
ELECTRICAL CONDUCTANCE > 16 Sm/mm²
(≥28% IACS at 20°C)
 - BASE PLATING: 1.25-2.25µm NI OVERALL
 - REFLOW TIN PLATING: 2.5-4.0µm OVERALL
 - CONTACT MUST BE FREE OF BURRS AND SHARP EDGES.
 - PROCESS COMPONENTS IN A LOW-SULFUR ENVIRONMENT AND AVOID CONTACT WITH MATERIALS THAT TRANSFER SULFUR TO THE ENVIRONMENT.
- SIGNAL CONTACT PIN NOTES: (0.64 CIRCUITS)
- MATERIAL: Cu ALLOY
WITH TENSILE STRENGTH > 410 N/mm²
ELECTRICAL CONDUCTANCE > 16 Sm/mm²
(≥28% IACS at 20°C)
 - BASE PLATING: 1.25-2.5µm NI OVERALL
 - SILVER PLATING 2-4µm Ag WITH TARNISH RESISTANT TREATMENT APPLIED TO THE ENTIRE SILVER SURFACE.
 - CONTACT MUST BE FREE OF BURRS AND SHARP EDGES.
 - FOR SILVER PLATING: ELECTRICAL PERFORMANCE IS NOT AFFECTED BY GREY OR BLACK TARNISH ON THE SILVER PLATING SURFACE. ACCEPTABLE SILVER PIN SURFACES CAN INCLUDE GREY OR BLACK TARNISH.
 - PROCESS COMPONENTS IN A LOW-SULFUR ENVIRONMENT AND AVOID CONTACT WITH MATERIALS THAT TRANSFER SULFUR TO THE ENVIRONMENT.



SYMBOLS										THIS DRAWING CONTAINS INFORMATION THAT IS PROPRIETARY TO MOLEX ELECTRONIC TECHNOLOGIES, LLC AND SHOULD NOT BE USED WITHOUT WRITTEN PERMISSION									
= 0					mm					SCALE					4:1				
= 0					GENERAL TOLERANCES (UNLESS SPECIFIED)					CURRENT REV DESC: NOTE AND TABLE					UPDATED				
= 0					ANGULAR TOL ±					EC NO: 677806									
= 0					4 PLACES					DRWN: NBOHIDAR					2021/09/15				
= 0					3 PLACES					CHK'D: BDICK01					2021/09/28				
= 0					2 PLACES					APPR: BDICK01					2021/09/28				
= 0					1 PLACE					INITIAL REVISION:									
= 0					0 PLACES					DRWN: NBOHIDAR					2018/09/01				
= 0					DRAFT WHERE APPLICABLE MUST REMAIN WITHIN DIMENSIONS					APPR: APROFFITT					2018/09/07				
= 0					THIRD ANGLE PROJECTION					DRAWING					SERIES				
= 0					E-SIZE					34992					MATERIAL NUMBER				
= 0										CHARTED					CUSTOMER				
= 0										GENERAL MARKET					SHEET NUMBER				
= 0										3 OF 3									

molex

GPEC IV CONNECTOR ASSEMBLY
95 CIRCUIT

PRODUCT CUSTOMER DRAWING

DOCUMENT NUMBER: 349920001-SD
DOC TYPE: PSD
DOC PART: 000
REVISION: A8

BOM AND PIN OUT SHEET

ASSEMBLY DESCRIPTION	ASSEMBLY PART NUMBER	COMPONENT							BLOCKED TERMINALS															STATUS	COMMENTS								
		THE PRESENCE OF AN ABBREVIATION INDICATES THE PRESENCE OF THAT COMPONENT.							CAVITY WITH A NUMBER INDICATES BLOCKED TERMINAL POSITION CAVITY WITHOUT A NUMBER INDICATES OPEN TERMINAL POSITION																								
		OUTER HOUSING KEY/COLOR	INNER HOUSING	PLR	LEVER	LEVER ARM (x/2)	MAT SEAL	RING SEAL																									
GPEC RCPT CONN 95 CKT END LVRKEY 1/75	349920008	1-BLACK	IH	PLR	LE	LA	M	R	1	-	3	-	5	-	7	-	-	10	-	-	-	-	15	-	-	78	-	-					
									16	-	-	-	-	-	-	-	-	-	-	-	-	-	-	-	-	-	-	-	-	-	-	-	
									-	-	-	-	-	-	-	-	-	-	-	-	-	-	-	-	-	41	-	-	-	-	-	-	-
									46	-	48	-	-	-	-	-	-	-	-	-	-	-	-	-	-	56	-	-	-	-	-	-	-
									61	-	63	64	-	-	-	67	68	69	-	-	-	-	-	-	-	-	-	-	-	74	75	-	-
GPEC RCPT CONN 95 CKT END LVRKEY 1/76	349920009	1-BLACK	IH	PLR	LE	LA	M	R	1	-	3	-	5	-	7	-	-	10	-	-	-	-	-	-	-	-	-						
									16	-	-	-	-	-	-	-	-	-	-	-	-	-	-	-	-	-	-	-	-	-	-		
									-	-	-	-	-	-	-	-	-	-	-	-	-	-	-	-	-	41	-	-	-	-	-	-	-
									46	-	48	-	-	-	-	-	-	-	-	-	-	-	-	-	-	56	-	-	-	-	-	-	-
									61	-	63	64	-	-	66	67	68	69	-	-	-	-	-	-	-	-	-	-	-	74	75	-	-
GPEC RCPT CONN 95 CKT END LVRKEY 1/80	349920010	1-BLACK	IH	PLR	LE	LA	M	R	1	-	3	-	5	-	7	-	-	10	-	-	-	-	-	-	-	-	-						
									16	-	-	-	-	-	-	-	-	-	-	-	-	-	-	-	-	-	-	-	-	-	-		
									-	-	-	-	-	-	-	-	-	-	-	-	-	-	-	-	-	41	-	-	-	-	-	-	-
									46	-	48	-	-	-	-	-	-	-	-	-	-	-	-	-	-	56	-	-	-	-	-	-	-
									61	-	63	64	-	-	-	-	-	-	-	-	-	-	-	-	-	-	-	-	-	-	-	-	-
GPEC RCPT CONN 95 CKT END LVRKEY 1/79	349920011	1-BLACK	IH	PLR	LE	LA	M	R	1	-	-	-	-	-	-	-	-	-	-	-	-	-	-	-	-	-	-	-	-				
									16	-	-	-	-	-	-	-	-	-	-	-	-	-	-	-	-	-	-	-	-	-	-	-	
									-	-	-	-	-	-	-	-	-	-	-	-	-	-	-	-	-	-	-	-	-	-	-	-	-
									-	-	-	-	-	-	-	-	-	-	-	-	-	-	-	-	-	55	56	-	-	-	-	-	-
									-	62	63	64	-	-	67	68	69	-	-	-	-	-	-	-	-	-	-	-	-	74	75	-	-
GPEC RCPT CONN 95 CKT END LVRKEY 1/74	349920012	1-BLACK	IH	PLR	LE	LA	M	R	-	-	3	-	-	-	-	-	-	9	10	-	12	-	-	-	-	-	-	-					
									-	-	18	-	-	-	-	-	-	-	-	-	-	-	-	-	24	25	-	-	-	-	-	-	
									31	-	-	-	-	-	-	-	-	-	-	-	-	-	-	-	-	-	-	-	-	-	-	-	-
									-	47	48	-	-	-	-	-	-	-	-	-	-	-	-	-	-	56	-	-	-	-	-	-	-
									-	-	-	64	65	-	-	68	69	-	71	-	-	-	-	-	-	-	-	-	-	74	75	-	-
GPEC RCPT CONN 95 CKT END LVRKEY 1/83	349920013	1-BLACK	IH	PLR	LE	LA	M	R	1	-	-	-	-	-	-	-	-	-	-	-	-	-	-	-	-	-	-	-	-				
									16	-	-	-	-	-	-	-	-	-	-	-	-	-	-	-	-	-	-	-	-	-	-	-	
									-	-	-	-	-	-	-	-	-	-	-	-	-	-	-	-	-	-	-	-	-	-	-	-	-
									-	-	-	-	-	-	-	-	-	-	-	-	-	-	-	-	-	55	56	-	-	-	-	-	-
									-	62	63	64	-	-	67	68	69	-	-	-	-	-	-	-	-	-	-	-	-	-	-	-	-
GPEC RCPT CONN 95 CKT END LVRKEY 1/79	349920014	1-BLACK	IH	PLR	LE	LA	M	R	-	-	-	-	-	-	-	-	9	-	-	-	-	-	-	-	-	-	-	-	-				
									-	-	18	-	-	-	-	-	-	-	-	-	-	-	-	-	24	25	-	-	-	-	-	-	
									-	-	-	-	-	-	-	-	-	-	-	-	-	-	-	-	-	-	-	-	-	-	-	-	-
									-	47	48	-	-	-	-	-	-	-	-	-	-	-	-	-	-	56	-	-	-	-	-	-	-
									-	-	-	64	65	-	-	68	69	-	71	-	-	-	-	-	-	-	-	-	-	74	75	-	-
GPEC RCPT CONN 95 CKT END LVRKEY 1/82	349920015	1-BLACK	IH	PLR	LE	LA	M	R	-	-	-	-	-	-	-	-	9	-	-	-	-	-	-	-	-	-	-	-	-				
									-	-	18	-	-	-	-	-	-	-	-	-	-	-	-	-	24	25	-	-	-	-	-	-	
									-	-	-	-	-	-	-	-	-	-	-	-	-	-	-	-	-	-	-	-	-	-	-	-	-
									-	-	-	-	-	-	-	-	-	-	-	-	-	-	-	-	-	-	-	-	-	-	-	-	-
									-	-	-	64	65	-	-	68	69	-	71	-	-	-	-	-	-	-	-	-	-	74	75	-	-
GPEC RCPT CONN 95 CKT END LVRKEY 1/77	349920016	1-BLACK	IH	PLR	LE	LA	M	R	1	-	-	-	-	-	-	-	-	-	-	-	-	-	-	-	-	-	-	-	-				
									16	-	-	-	-	-	-	-	-	-	-	-	-	-	-	-	-	-	-	-	-	-	-	-	
									-	-	-	-	-	-	-	-	-	-	-	-	-	-	-	-	-	-	-	-	-	-	-	-	-
									-	-	-	-	-	-	-	-	-	-	-	-	-	-	-	-	-	55	56	57	-	-	-	-	-
									-	62	63	64	-	66	67	68	69	-	-	-	-	-	-	-	-	-	-	-	-	74	75	-	-
GPEC RCPT CONN 95 CKT END LVRKEY 1/67	349920017	1-BLACK	IH	PLR	LE	LA	M	R	-	-	3	-	-	-	-	-	9	10	-	12	-	-	-	-	-	-	-	-	-				
									-	-	18	-	-	-	-	-	-	-	-	-	-	-	-	-	24	25	-	-	-	-	-	-	
									31	-	-	-	-	-	-	-	-	-	-	-	-	-	-	-	-	-	-	-	-	-	-	-	-
									-	-	-	-	-	-	-	-	-	-	-	-	-	-	-	-	-	-	-	-	-	-	-	-	-
									-	62	63	64	65	-	-	68	69	70	71	72	73	74	75	-	-	-	-	-	-	-	-	-	-

BOM AND PIN OUT SHEET

ASSEMBLY DESCRIPTION	ASSEMBLY PART NUMBER	COMPONENT							BLOCKED TERMINALS																	STATUS	COMMENTS			
		THE PRESENCE OF AN ABBREVIATION INDICATES THE PRESENCE OF THAT COMPONENT.							CAVITY WITH A NUMBER INDICATES BLOCKED TERMINAL POSITION CAVITY WITHOUT A NUMBER INDICATES OPEN TERMINAL POSITION																					
		OUTER HOUSING KEY/COLOR	INNER HOUSING	PLR	LEVER	LEVER ARM (x/2)	MAT SEAL	RING SEAL																						
GPEC RCPT CONN 95 CKT TOP LVRKEY 1/47	349921003	1-BLACK	IH	PLR	LT	LA	M	R	-	-	3	4	5	-	-	-	9	-	-	12	13	-	15	-	77	78	79	80	SALEABLE	
									16	17	18	-	20	21	-	23	24	25	26	-	28	-	30	-	-	-	-	85		
									-	-	-	-	-	-	-	38	-	-	-	-	43	44	45							
									46	47	-	49	-	51	-	53	54	-	56	-	-	59	-	86	-	-	-	-		
									61	-	-	-	-	66	67	68	69	70	71	-	73	74	-	91	-	-	94	95		
GPEC RCPT CONN 95 CKT TOP LVRKEY 1/77	349921004	1-BLACK	IH	PLR	LT	LA	M	R	-	-	-	-	-	-	-	-	9	-	-	-	-	-	15	-	-	-	-	-	SALEABLE	
									-	-	18	-	-	-	-	-	24	25	-	-	-	-	30	-	-	-	-	-		
									-	-	-	-	-	-	-	-	-	-	-	-	-	-	-							
									-	-	-	-	-	-	-	-	-	-	-	-	-	-	-	-	87	88	-	-		
									-	-	-	64	65	-	-	68	69	70	-	72	73	74	75	-	-	-	-	-		
GPEC RCPT CONN 95 CKT TOP LVRKEY 1/68	349921005	1-BLACK	IH	PLR	LT	LA	M	R	-	-	3	-	-	-	-	-	9	10	-	12	-	-	15	-	-	78	-	-	SALEABLE	
									-	-	18	-	-	-	-	-	24	25	-	-	-	-	30	-	-	83	-	-		
									31	-	-	-	-	-	-	-	-	-	-	-	-	-	45							
									-	47	48	-	-	-	-	-	-	-	56	-	-	-	-	-	87	88	-	-		
									-	-	-	64	65	-	-	68	69	70	-	72	73	74	75	-	-	-	-	-		
GPEC RCPT CONN 95 CKT TOP LVRKEY 1/65	349921006	1-BLACK	IH	PLR	LT	LA	M	R	-	-	3	-	-	-	-	-	9	10	-	12	-	-	15	-	-	78	-	-	SALEABLE	
									-	-	18	-	-	-	-	-	24	25	-	-	-	-	30	-	-	83	-	-		
									31	-	-	-	-	-	-	-	-	-	-	-	-	-	45							
									46	47	48	-	-	-	-	-	-	-	56	-	-	-	-	-	87	88	-	-		
									61	-	-	64	65	-	-	68	69	70	71	72	73	74	75	-	-	-	-	-		
GPEC RCPT CONN 95 CKT TOP LVRKEY 1/68	349921007	1-BLACK	IH	PLR	LT	LA	M	R	-	-	3	-	-	-	-	-	9	10	-	12	-	-	15	-	-	78	-	-	SALEABLE	
									-	-	18	-	-	-	-	-	24	-	-	-	-	-	30	-	-	83	-	-		
									31	-	-	-	-	-	-	-	-	-	-	-	-	-	-							
									46	47	48	-	-	-	-	-	-	-	56	-	-	-	-	-	87	88	-	-		
									61	-	-	64	65	-	-	68	69	70	71	72	73	74	75	-	-	-	-	-		
GPEC RCPT CONN 95 CKT TOP LVRKEY 1/94	349921008	1-BLACK	IH	PLR	LT	LA	M	R	-	-	-	-	-	-	-	-	-	-	-	-	-	-	-	-	-	-	-	-	SALEABLE	
									-	-	-	-	-	-	-	-	-	-	-	-	-	-	-	-	-	-	-	-		
									-	-	-	-	-	-	-	-	-	-	-	-	-	-	-							
									-	-	-	-	-	-	-	-	-	-	-	-	-	-	-	-	-	-	-	-		
									-	-	-	-	-	-	-	-	-	-	-	-	-	-	75	-	-	-	-	-		
GPEC RCPT CONN 95 CKT END LVRKEY 2/95	349922001	2-BLACK	IH	PLR	LE	LA	M	R	-	-	-	-	-	-	-	-	-	-	-	-	-	-	-	-	-	-	-	-	SALEABLE	
									-	-	-	-	-	-	-	-	-	-	-	-	-	-	-	-	-	-	-	-		
									-	-	-	-	-	-	-	-	-	-	-	-	-	-	-							
									-	-	-	-	-	-	-	-	-	-	-	-	-	-	-	-	-	-	-	-		
									-	-	-	-	-	-	-	-	-	-	-	-	-	-	-	-	-	-	-	-		
GPEC RCPT CONN 95 CKT TOP LVRKEY 2/95	349923001	2-BLACK	IH	PLR	LT	LA	M	R	-	-	-	-	-	-	-	-	-	-	-	-	-	-	-	-	-	-	-	-	SALEABLE	
									-	-	-	-	-	-	-	-	-	-	-	-	-	-	-	-	-	-	-	-		
									-	-	-	-	-	-	-	-	-	-	-	-	-	-	-							
									-	-	-	-	-	-	-	-	-	-	-	-	-	-	-	-	-	-	-	-		
									-	-	-	-	-	-	-	-	-	-	-	-	-	-	-	-	-	-	-	-		
GPEC RCPT CONN 95 CKT TOP LVRKEY 2/46	349923002	2-BLACK	IH	PLR	LT	LA	M	R	-	-	-	4	-	6	-	8	9	-	11	-	-	14	15	-	77	-	-	80	SALEABLE	
									-	17	-	-	-	21	-	-	24	-	-	-	28	29	30	81	-	83	-	85		
									-	32	-	-	-	-	-	-	-	-	41	-	43	44	45							
									46	-	48	-	-	-	-	53	-	-	56	57	58	-	-	86	87	88	-	90		
									61	62	63	64	65	66	67	68	69	70	71	72	73	74	75	-	-	-	-	95		
GPEC RCPT CONN 95 CKT END LVRKEY 3/95	349924001	3-BLACK	IH	PLR	LE	LA	M	R	-	-	-	-	-	-	-	-	-	-	-	-	-	-	-	-	-	-	-	-	SALEABLE	
									-	-	-	-	-	-	-	-	-	-	-	-	-	-	-	-	-	-	-	-		
									-	-	-	-	-	-	-	-	-	-	-	-	-	-	-							
									-	-	-	-	-	-	-	-	-	-	-	-	-	-	-	-	-	-	-	-		
									-	-	-	-	-	-	-	-	-	-	-	-	-	-	-	-	-	-	-	-		

BOM AND PIN OUT SHEET

ASSEMBLY DESCRIPTION	ASSEMBLY PART NUMBER	COMPONENT							BLOCKED TERMINALS																	STATUS	COMMENTS		
		THE PRESENCE OF AN ABBREVIATION INDICATES THE PRESENCE OF THAT COMPONENT.							CAVITY WITH A NUMBER INDICATES BLOCKED TERMINAL POSITION CAVITY WITHOUT A NUMBER INDICATES OPEN TERMINAL POSITION																				
		OUTER HOUSING KEY/COLOR	INNER HOUSING	PLR	LEVER	LEVER ARM (x/2)	MAT SEAL	RING SEAL																					
GPEC RCPT CONN 95 CKT TOP LVR KEY 4/50	349927006	4-BLACK	IH	PLR	LT	LA	M	R	-	-	3	4	-	-	-	-	9	-	-	12	13	-	15	-	77	78	79	-	
									16	17	18	19	20	21	-	23	24	25	26	-	28	-	30	-	-	-	-	-	
									-	-	-	-	-	-	-	-	38	-	-	-	-	43	44	45	-	-	-	-	-
									46	47	48	49	-	51	-	53	54	-	56	-	-	59	-	86	-	-	-	-	
									61	-	-	-	-	66	67	68	69	70	71	-	73	74	-	91	-	-	-	-	
GPEC RCPT CONN 95 CKT TOP LVR KEY 4/54	349927007	4-BLACK	IH	PLR	LT	LA	M	R	-	-	3	4	5	-	-	-	9	-	-	-	-	-	15	-	77	78	79	80	
									16	17	18	19	20	-	-	23	24	25	26	-	28	-	-	-	-	-	-	-	
									-	-	-	-	-	-	-	-	38	-	-	-	-	-	44	-	-	-	-	-	-
									46	47	-	49	-	51	-	-	54	-	56	-	-	59	-	86	-	-	-	-	
									61	-	-	-	-	66	67	68	69	70	71	-	73	74	75	91	-	-	-	95	
GPEC RCPT CONN 95 CKT TOP LVR KEY 4/46	349927008	4-BLACK	IH	PLR	LT	LA	M	R	-	-	3	4	-	-	-	-	9	-	-	12	13	-	15	-	77	78	79	80	
									16	17	18	19	20	21	-	23	24	25	26	-	28	-	30	-	-	-	-	85	
									-	-	-	-	-	-	-	-	38	-	-	-	-	43	44	45	-	-	-	-	-
									46	47	48	49	-	51	-	53	54	-	56	-	-	59	-	86	-	-	-	-	
									61	-	-	-	-	66	67	68	69	70	71	-	73	74	-	91	-	-	94	95	
GPEC RCPT CONN 95 CKT TOP LVR KEY 4/45	349927009	4-BLACK	IH	PLR	LT	LA	M	R	-	-	3	4	-	6	7	8	9	-	-	12	13	-	15	-	77	78	79	80	
									16	17	18	19	20	-	-	23	24	25	26	-	28	-	-	-	-	-	-	85	
									-	-	-	-	-	-	-	-	38	-	-	41	-	43	44	45	-	-	-	-	-
									46	47	48	49	-	51	-	53	54	-	56	-	-	59	-	86	-	-	-	-	
									61	-	-	-	-	66	67	68	-	70	71	-	73	74	-	91	-	-	94	95	
GPEC RCPT CONN 95 CKT TOP LVR KEY 4/42	349927010	4-BLACK	IH	PLR	LT	LA	M	R	-	-	3	4	-	6	7	8	9	-	-	12	13	-	15	-	77	78	79	80	
									16	17	18	19	20	21	-	23	24	25	26	-	28	-	30	-	-	-	-	85	
									-	-	-	-	-	-	-	-	38	-	-	41	-	43	44	45	-	-	-	-	-
									46	47	48	49	-	51	-	53	54	-	56	-	-	59	-	86	-	-	-	-	
									61	-	-	-	-	66	67	68	69	70	71	-	73	74	-	91	-	-	94	95	
GPEC RCPT CONN 95 CKT TOP LVR KEY 4/47	349927011	4-BLACK	IH	PLR	LT	LA	M	R	-	-	3	4	5	-	-	-	9	-	-	12	13	-	15	-	77	78	79	80	
									16	17	18	-	20	21	-	23	24	25	26	-	28	-	30	-	-	-	-	85	
									-	-	-	-	-	-	-	-	38	-	-	-	-	43	44	45	-	-	-	-	-
									46	47	-	49	-	51	-	53	54	-	56	-	-	59	-	86	-	-	-	-	
									61	-	-	-	-	66	67	68	69	70	71	-	73	74	-	91	-	-	94	95	
GPEC RCPT CONN 95 CKT TOP LVR KEY 4/52	349927012	4-BLACK	IH	PLR	LT	LA	M	R	1	2	3	4	5	6	-	-	9	-	-	-	-	14	15	-	77	-	79	80	
									-	17	18	19	20	-	-	23	24	25	-	-	28	-	-	-	-	-	-	85	
									-	-	-	-	-	-	-	37	-	-	-	-	-	-	44	-	-	-	-	-	-
									46	-	48	49	-	51	-	-	-	-	56	-	-	59	-	86	-	-	-	-	
									61	-	63	64	-	66	67	68	69	-	71	-	-	74	75	91	92	-	-	95	
GPEC RCPT CONN 95 CKT TOP LVR KEY 4/47	349927013	4-BLACK	IH	PLR	LT	LA	M	R	-	-	3	4	-	-	-	-	9	-	-	12	13	-	15	-	77	78	79	80	
									16	17	18	-	20	21	-	23	24	25	26	-	28	-	30	-	-	-	-	85	
									-	-	-	-	-	-	-	-	38	-	-	-	-	43	44	45	-	-	-	-	-
									46	47	48	49	-	51	-	53	54	-	56	-	-	59	-	86	-	-	-	-	
									61	-	-	-	-	66	67	68	69	70	71	-	73	74	-	91	-	-	94	95	
GPEC RCPT CONN 95 CKT TOP LVR KEY 4/50	349927014	4-BLACK	IH	PLR	LT	LA	M	R	-	-	3	4	-	-	-	-	9	-	-	12	13	-	15	-	77	78	79	80	
									16	17	18	-	20	21	-	23	24	25	26	-	28	-	30	-	-	-	-	85	
									-	-	-	-	-	-	-	-	38	-	-	-	-	43	-	-	-	-	-	-	-
									46	47	-	49	-	51	52	53	54	-	56	-	-	59	-	86	-	-	-	-	
									-	-	-	-	-	66	67	68	69	70	71	-	73	74	-	91	-	-	94	95	
GPEC RCPT CONN 95 CKT TOP LVR KEY 4/52	349927015	4-BLACK	IH	PLR	LT	LA	M	R	1	-	3	4	-	6	-	-	9	-	-	-	-	-	15	-	-	78	79	80	
									16	17	-	19	-	21	-	23	24	25	26	-	28	29	30	-	-	-	-	85	
									-	-	-	-	-	-	-	-	-	-	-	-	42	-	44	-	-	-	-	-	-
									46	-	-	49	-	51	-	53	54	55	56	-	-	59	-	86	-	-	-	-	
									-	-	-	64	-	66	67	68	69	70	71	-	-	74	75	91	-	-	-	95	

BOM AND PIN OUT SHEET

ASSEMBLY DESCRIPTION	ASSEMBLY PART NUMBER	COMPONENT							BLOCKED TERMINALS																	STATUS	COMMENTS				
		THE PRESENCE OF AN ABBREVIATION INDICATES THE PRESENCE OF THAT COMPONENT.							CAVITY WITH A NUMBER INDICATES BLOCKED TERMINAL POSITION CAVITY WITHOUT A NUMBER INDICATES OPEN TERMINAL POSITION																						
		OUTER HOUSING KEY/COLOR	INNER HOUSING	PLR	LEVER	LEVER ARM (x/2)	MAT SEAL	RING SEAL																							
GPEC RCPT CONN 95 CKT TOP LVR KEY 4/50	349927016	4-BLACK	IH	PLR	LT	LA	M	R	-	-	3	4	-	-	-	-	9	-	-	12	13	-	15	-	77	78	79	80	SALEABLE		
									16	17	18	-	20	21	22	23	-	25	26	-	28	-	30	-	-	-	-	85			
									-	-	-	-	-	-	-	-	-	40	-	42	-	44	-	-	-	-	-	-			
									46	47	48	-	-	51	52	53	54	-	56	-	-	59	-	86	-	-	-	-			
									61	-	-	-	-	66	67	68	-	70	71	72	73	74	-	-	-	-	-	95			
GPEC RCPT CONN 95 CKT END LVR KEY 5/95	349928001	5-BLACK	IH	PLR	LE	LA	M	R	-	-	-	-	-	-	-	-	-	-	-	-	-	-	-	-	-	-	-	-	SALEABLE		
									-	-	-	-	-	-	-	-	-	-	-	-	-	-	-	-	-	-	-	-			
									-	-	-	-	-	-	-	-	-	-	-	-	-	-	-	-	-	-	-	-			
									-	-	-	-	-	-	-	-	-	-	-	-	-	-	-	-	-	-	-	-			
									-	-	-	-	-	-	-	-	-	-	-	-	-	-	-	-	-	-	-	-			
GPEC RCPT CONN 95 CKT END LVR KEY 5/95	349928002	5-BLACK	IH	PLR	LE	LA	M	R	-	-	-	-	-	-	-	-	-	-	-	-	-	-	-	-	-	-	-	-	SALEABLE		
									-	-	-	-	-	-	-	-	-	-	-	-	-	-	-	-	-	-	-	-			
									-	-	-	-	-	-	-	-	-	-	-	-	-	-	-	-	-	-	-	-			
									-	-	-	-	-	-	-	-	-	-	-	-	-	-	-	-	-	-	-	-			
									-	-	-	-	-	-	-	-	-	-	-	-	-	-	-	-	-	-	-	-			
GPEC RCPT CONN 95 CKT END LVR KEY 5/49	349928003	5-BLACK	IH	PLR	LE	LA	M	R	-	2	3	4	-	-	-	-	-	-	-	-	-	14	15	-	-	-	-	-	SALEABLE		
									-	17	18	-	20	21	-	-	24	-	26	27	-	-	30	81	-	-	-	85			
									-	-	33	34	35	-	-	38	39	-	41	-	-	44	-	-	-	-	-	-			
									46	47	48	49	50	51	52	53	-	-	-	57	58	-	-	86	87	88	-	-			
									-	62	63	64	65	66	67	68	-	70	71	72	-	-	-	91	-	-	-	-			
GPEC RCPT CONN 95 CKT END LVR KEY 5/56	349928004	5-BLACK	IH	PLR	LE	LA	M	R	-	-	-	4	5	-	-	-	-	-	-	-	-	-	-	-	-	-	-	-	SALEABLE		
									-	-	-	-	-	21	-	23	-	-	26	27	-	-	-	-	-	-	-	-			
									31	32	-	-	-	-	37	-	39	-	-	42	43	-	-	-	-	-	-	-			
									-	-	48	49	50	51	52	53	54	55	56	-	58	59	60	-	87	-	-	-			
									61	62	63	64	65	-	67	68	-	-	-	72	73	74	75	-	92	93	94	-			
GPEC RCPT CONN 95 CKT END LVR KEY 5/44	349928005	5-BLACK	IH	PLR	LE	LA	M	R	-	-	-	-	5	-	-	-	-	-	-	12	-	-	-	76	77	78	79	80	SALEABLE		
									-	-	-	-	-	21	-	-	24	25	-	27	-	29	-	-	-	83	84	85			
									31	32	33	34	35	-	-	-	39	-	-	-	43	44	-	-	-	-	-	90			
									-	-	48	49	50	51	52	-	-	55	56	-	58	59	60	-	-	-	-	94			
									61	62	63	64	65	66	67	68	69	70	71	72	73	74	75	-	-	-	94	95			
GPEC RCPT CONN 95 CKT TOP LVR KEY 5/95	349929001	5-BLACK	IH	PLR	LT	LA	M	R	-	-	-	-	-	-	-	-	-	-	-	-	-	-	-	-	-	-	-	-	SALEABLE		
									-	-	-	-	-	-	-	-	-	-	-	-	-	-	-	-	-	-	-	-			
									-	-	-	-	-	-	-	-	-	-	-	-	-	-	-	-	-	-	-	-			
									-	-	-	-	-	-	-	-	-	-	-	-	-	-	-	-	-	-	-	-			
									-	-	-	-	-	-	-	-	-	-	-	-	-	-	-	-	-	-	-	-			
GPEC RCPT CONN 95 CKT TOP LVR KEY 5/51	349929002	5-BLACK	IH	PLR	LT	LA	M	R	-	-	3	4	-	-	-	-	9	-	-	12	13	-	15	-	77	78	-	80	SALEABLE		
									16	17	-	19	-	21	-	23	24	-	-	-	28	29	30	-	-	-	-	85			
									-	-	-	-	-	-	-	-	-	-	-	-	-	44	-	-	-	-	-	-			
									46	47	48	-	-	51	52	53	54	-	56	-	-	59	60	86	-	-	-	-			
									61	-	-	64	-	66	67	68	69	70	71	-	73	74	75	91	-	-	-	95			
GPEC RCPT CONN 95 CKT TOP LVR KEY 5/95	349929003	5-BLACK	IH	PLR	LT	LA	M	R	-	-	-	-	-	-	-	-	-	-	-	-	-	-	-	-	-	-	-	-	SALEABLE		
									-	-	-	-	-	-	-	-	-	-	-	-	-	-	-	-	-	-	-	-			
									-	-	-	-	-	-	-	-	-	-	-	-	-	-	-	-	-	-	-	-			
									-	-	-	-	-	-	-	-	-	-	-	-	-	-	-	-	-	-	-	-			
									-	-	-	-	-	-	-	-	-	-	-	-	-	-	-	-	-	-	-	-			
GPEC RCPT CONN 95 CKT TOP LVR KEY 5/45	349929004	5-BLACK	IH	PLR	LT	LA	M	R	-	-	3	4	-	6	7	8	9	-	-	12	13	-	15	-	77	78	-	80	SALEABLE		
									16	17	-	19	-	21	-	23	24	-	-	-	28	29	30	-	-	-	-	85			
									-	-	-	-	-	-	-	-	-	-	-	41	42	-	44	-	-	-	-	-			-
									46	47	48	-	-	51	52	53	54	55	56	-	-	59	60	86	-	-	-	-			
									61	-	-	64	-	66	67	68	69	70	71	-	73	74	75	91	-	-	-	95			

BOM AND PIN OUT SHEET

ASSEMBLY DESCRIPTION	ASSEMBLY PART NUMBER	COMPONENT							BLOCKED TERMINALS																	STATUS	COMMENTS								
		THE PRESENCE OF AN ABBREVIATION INDICATES THE PRESENCE OF THAT COMPONENT.							CAVITY WITH A NUMBER INDICATES BLOCKED TERMINAL POSITION CAVITY WITHOUT A NUMBER INDICATES OPEN TERMINAL POSITION																										
		OUTER HOUSING KEY/COLOR	INNER HOUSING	PLR	LEVER	LEVER ARM (x/2)	MAT SEAL	RING SEAL	-	-	3	4	-	6	7	8	9	-	-	12	13	-	15	-	77			78	79	80					
GPEC RCPT CONN 95 CKT TOP LVR KEY 5/38	349929015	5-BLACK	IH	PLR	LT	LA	M	R	16	17	18	19	20	21	22	23	-	25	26	-	28	29	30	-	-	-	-	-	-	-	-	-	85		
									-	-	-	-	-	-	-	38	-	40	41	42	-	44	-	-	-	-	-	-	-	-	-	-	-	-	-
									46	47	48	-	-	51	52	53	54	55	56	-	-	59	-	86	-	-	-	-	-	-	-	-	-	-	-
									61	-	-	64	-	66	67	68	69	70	71	72	73	74	75	91	-	-	-	-	-	-	-	-	-	-	-
									-	-	-	4	-	-	-	-	-	10	-	-	-	-	-	-	-	-	-	-	-	-	-	-	-	-	-
GPEC RCPT CONN 95 CKT TOP LVR KEY 5/60	349929016	5-BLACK	IH	PLR	LT	LA	M	R	-	-	-	-	-	-	23	-	-	-	27	-	-	-	-	-	-	-	-	-	-	-	-	-			
									-	32	-	-	-	-	37	-	-	-	-	-	43	44	45	-	-	-	-	-	-	-	-	-			
									-	-	48	49	-	51	52	-	-	55	56	-	58	59	60	-	87	88	89	-	-	-	-	-			
									61	62	63	64	65	-	67	68	-	-	-	72	73	74	75	-	92	93	94	-	-	-	-	-			
									-	-	-	-	-	-	-	-	23	-	-	-	27	-	-	-	-	-	-	-	-	-	-	-	-		
GPEC RCPT CONN 95 CKT TOP LVR KEY 5/58	349929017	5-BLACK	IH	PLR	LT	LA	M	R	-	-	-	4	-	-	-	-	-	10	-	-	-	-	-	-	-	-	-	-	-	-	-	-	-		
									-	-	-	-	-	-	-	-	23	-	-	-	27	-	-	-	-	-	-	-	-	-	-	-	-		
									-	32	-	-	-	-	37	-	-	-	-	-	43	44	45	-	-	-	-	-	-	-	-	-			
									-	-	48	49	-	51	52	-	-	55	56	-	58	59	60	-	87	88	89	-	-	-	-	-			
									61	62	63	64	65	-	67	68	-	70	71	72	73	74	75	-	92	93	94	-	-	-	-	-			