

LIFT-OFF HINGE

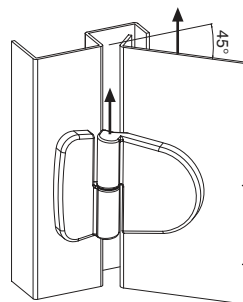
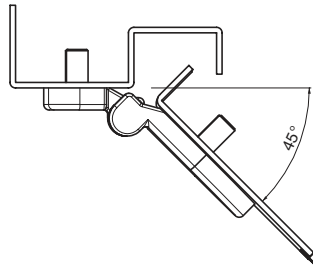
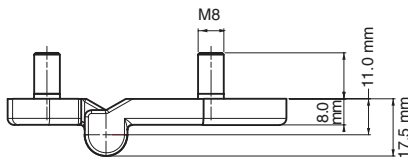
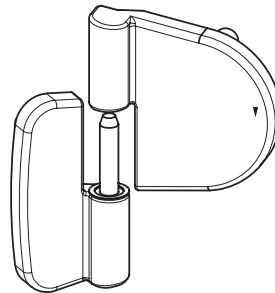
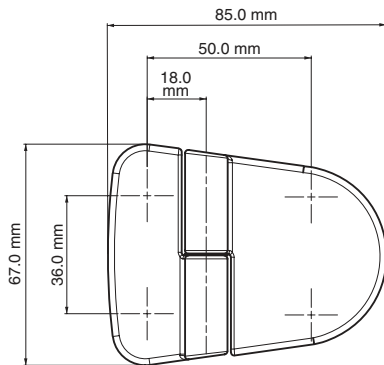


Specifications

- **Material:**
Body: Zinc Alloy (Zamak) DIN-EN 1774-ZnAl4Cu1
Pin: Stainless Steel

Features

- Concealed mounting-screws prevent external access to hinge
- Designed for plain/flush-mounted doors
- Suitable for left-hand and right-hand applications
- Applications: Generators, machinery covers, electric panels



Item Number	Hinge Rotation	Material	Finish	Hand
149911001	180°	Zinc Alloy	Chrome	Right
149911002	180°	Zinc Alloy	Chrome	Left
149912001	180°	Zinc Alloy	Black	Right
149912002	180°	Zinc Alloy	Black	Left