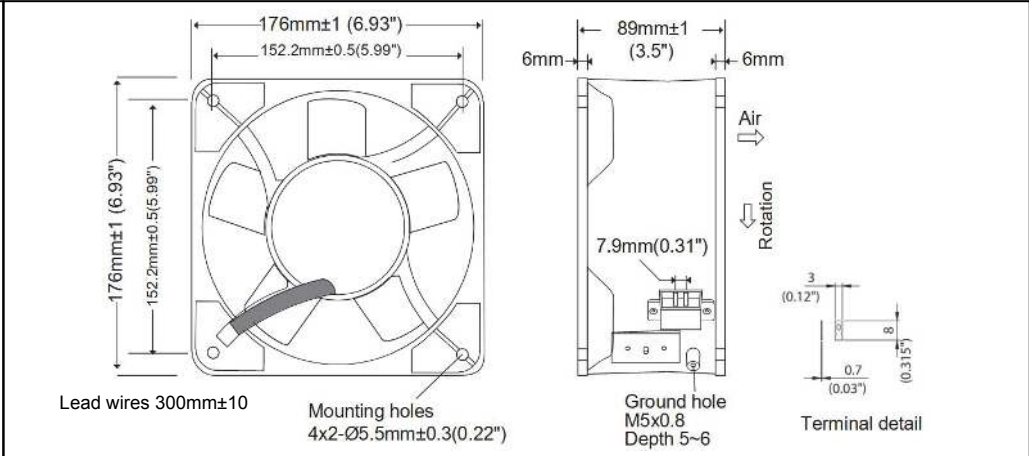


OA180AP Series



AC Fans - 115, 230V
176mm x 89mm (6.9" x 3.5")



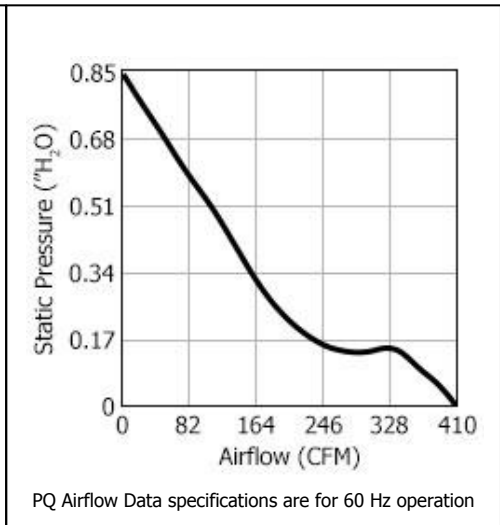
Frame	Die Cast Aluminum
Impeller	PBT, UL94 V-0 Plastic
Connection	2x Lead Wires, 20 AWG, or Terminals
Motor	Capacitor Drive, Thermally Protected
Bearing System	Ball Bearings
Dielectric Strength	1500 VAC/min, <1mA
Insulation Resistance	≥10M Ohm @ 500 VAC

Operating Temperature
-20°C ~ +70°C

Storage Temperature
-40°C ~ +100°C

Life Expectancy
60,000 Hours (L10 at 40°C)

Weight: 4.0 lbs.



Part Number	Rated Voltage (Volts AC)	Voltage Range (Volts AC)	Frequency (Hertz)	Rated Power (Watts)	Rated Speed (RPM)	Max Airflow (CFM)	Noise Level (dBA)	Max Static Pressure (H ₂ O)
OA180AP-11-1*	115	100 ~ 120	50 / 60	60 / 70	2700 / 3175	361 / 409	62	0.67 / 0.84
OA180AP-22-1*	230	200 ~ 240	50 / 60	60 / 70	2700 / 3175	361 / 409	62	0.67 / 0.84

* Indicates "TB" for terminal or "WB" for wire leads