



WR-62 Standard Gain Horn with 10 dBi gain, SMA Male connector

Technical Data Sheet

PEWAN062-10SM

Mechanical Specifications

Size

| | |
|--------|---------------------|
| Length | 2.265 in [57.53 mm] |
| Width | 1.31 in [33.27 mm] |
| Height | 1.31 in [33.27 mm] |
| Weight | 0.1475 lbs [66.9 g] |

RF Connector

| | |
|------|----------|
| Type | SMA Male |
|------|----------|

Waveguide Interface

| | |
|----------------|-------|
| Waveguide Size | WR-62 |
|----------------|-------|

Environmental Specifications

Compliance Certifications (see [product page](#) for current document)

Plotted and Other Data

Notes:

Click the following link (or enter part number in "SEARCH" on website) to obtain additional part information including price, inventory and certifications: [WR-62 Standard Gain Horn with 10 dBi gain, SMA Male connector PEWAN062-10SM](#)

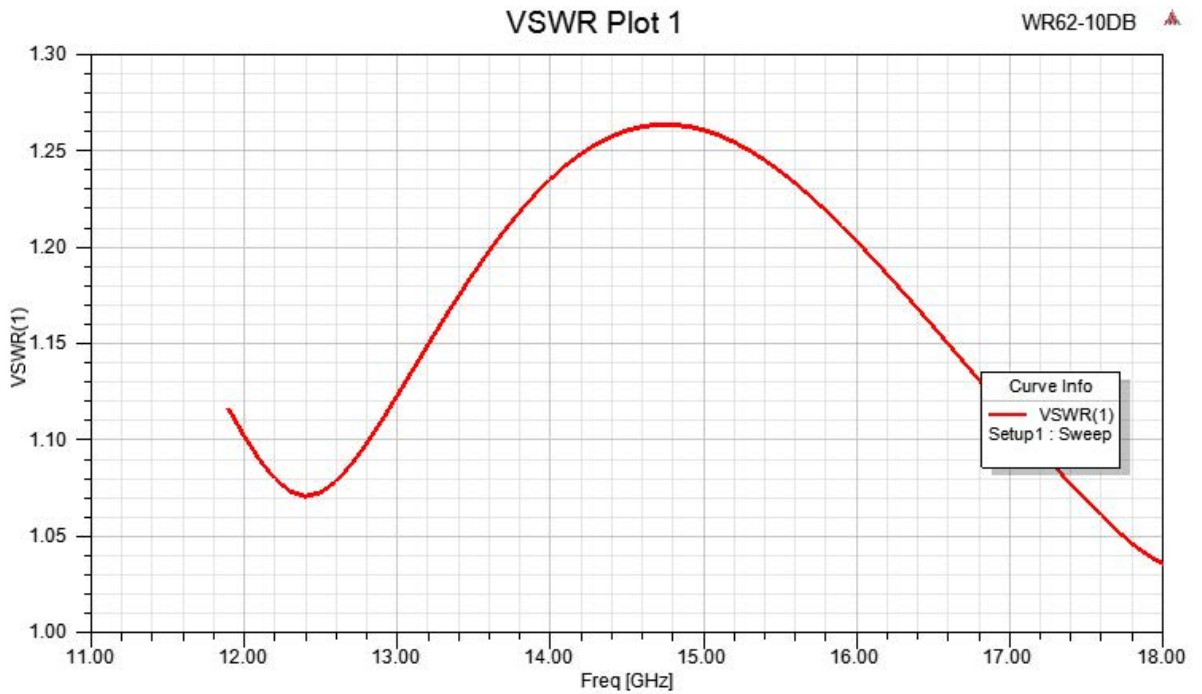


WR-62 Standard Gain Horn with 10 dBi gain, SMA Male connector

Technical Data Sheet

PEWAN062-10SM

Typical Performance Data



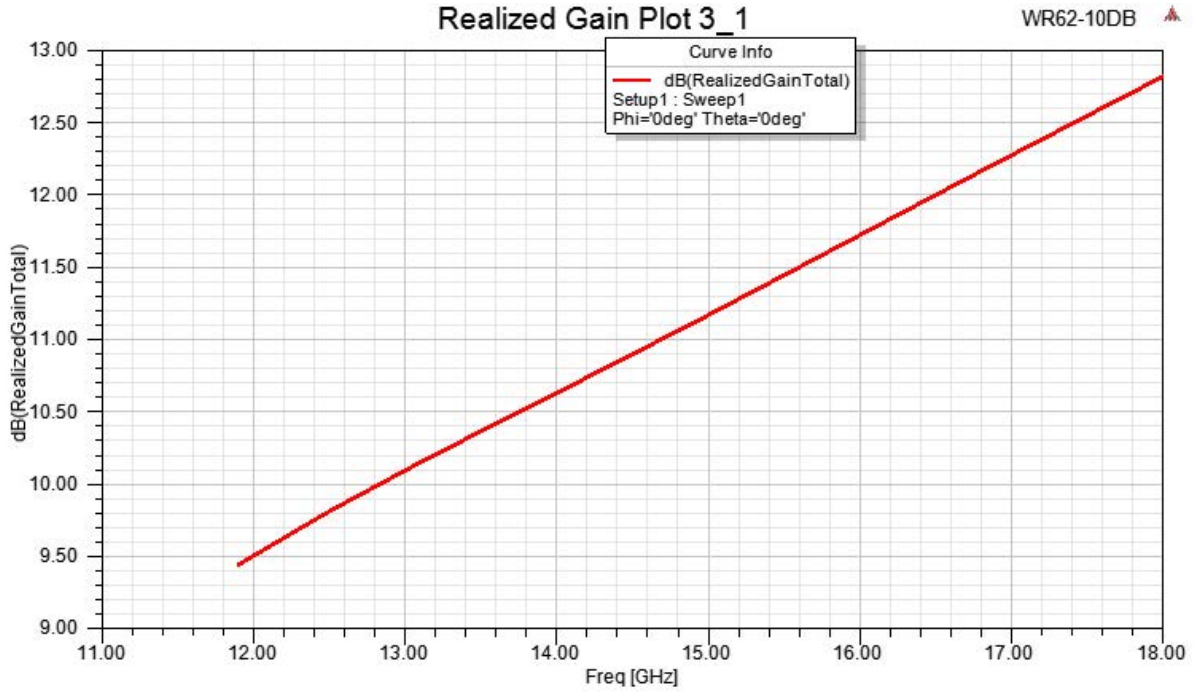
Click the following link (or enter part number in "SEARCH" on website) to obtain additional part information including price, inventory and certifications: [WR-62 Standard Gain Horn with 10 dBi gain, SMA Male connector PEWAN062-10SM](#)



WR-62 Standard Gain Horn with 10 dBi gain, SMA Male connector

Technical Data Sheet

PEWAN062-10SM



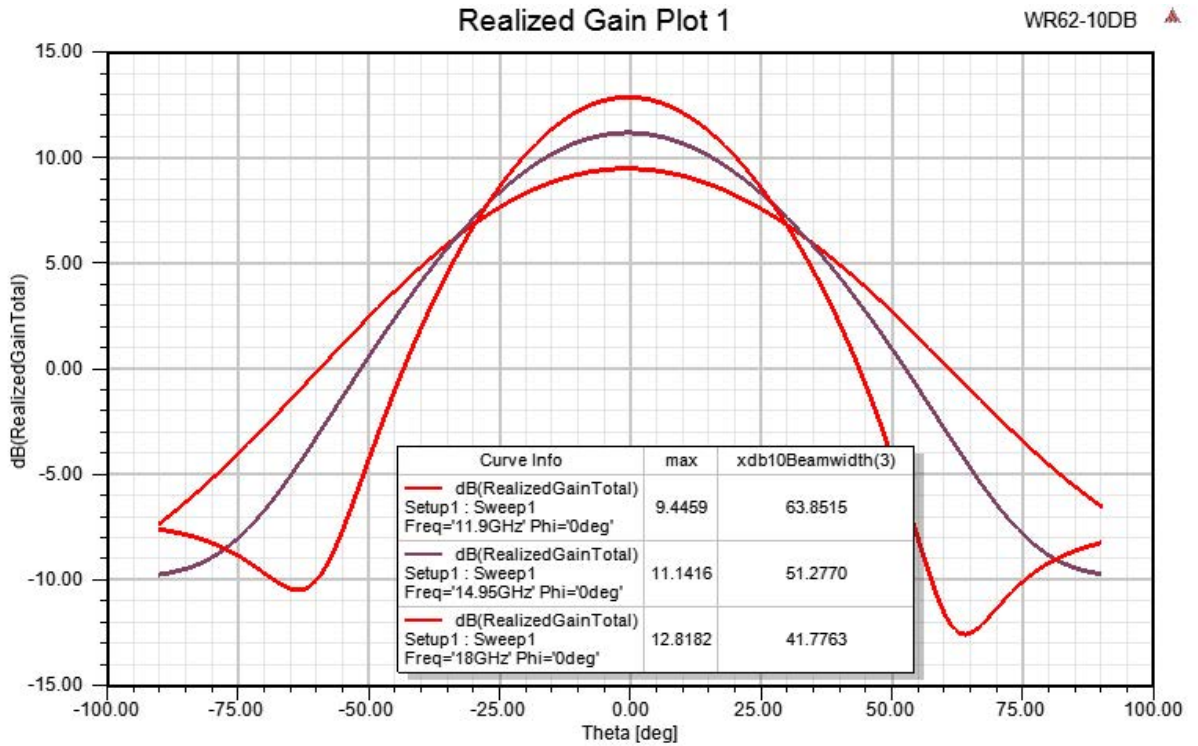
Click the following link (or enter part number in "SEARCH" on website) to obtain additional part information including price, inventory and certifications: [WR-62 Standard Gain Horn with 10 dBi gain, SMA Male connector PEWAN062-10SM](#)



WR-62 Standard Gain Horn with 10 dBi gain, SMA Male connector

Technical Data Sheet

PEWAN062-10SM



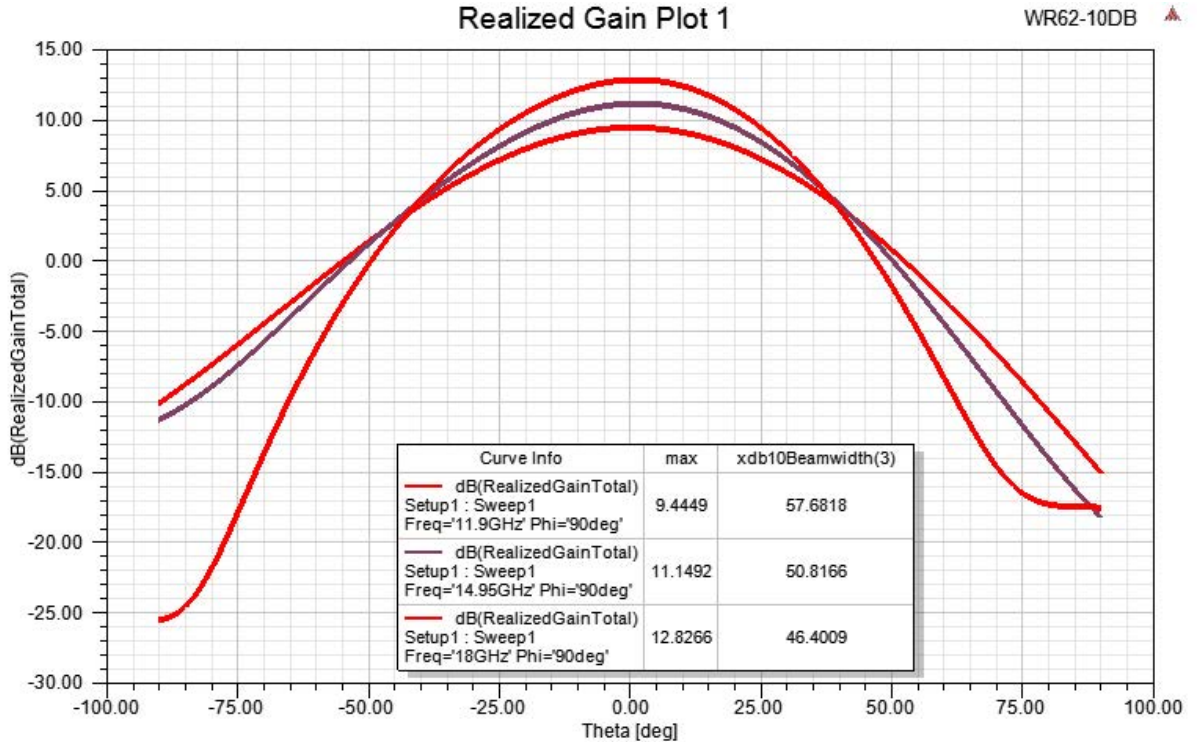
Click the following link (or enter part number in "SEARCH" on website) to obtain additional part information including price, inventory and certifications: [WR-62 Standard Gain Horn with 10 dBi gain, SMA Male connector PEWAN062-10SM](#)



WR-62 Standard Gain Horn with 10 dBi gain, SMA Male connector

Technical Data Sheet

PEWAN062-10SM



WR-62 Standard Gain Horn with 10 dBi gain, SMA Male connector from Pasternack Enterprises has same day shipment for domestic and International orders. Our RF, microwave and millimeter wave products maintain a 99.4% availability and are part of the broadest selection in the industry.

Click the following link (or enter part number in "SEARCH" on website) to obtain additional part information including price, inventory and certifications: [WR-62 Standard Gain Horn with 10 dBi gain, SMA Male connector PEWAN062-10SM](#)

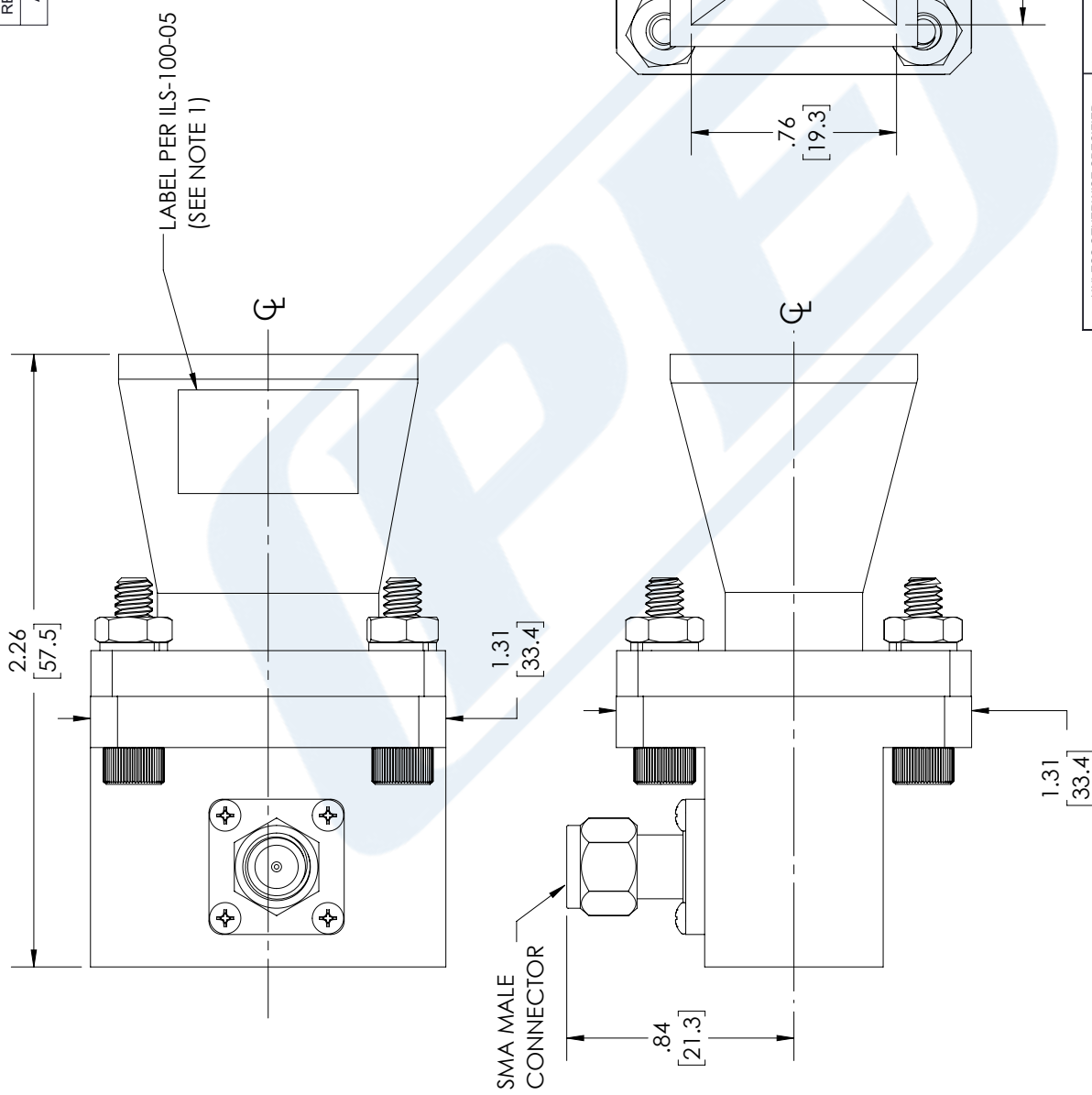
URL:

The information contained in this document is accurate to the best of our knowledge and representative of the part described herein. It may be necessary to make modifications to the part and/or the documentation of the part, in order to implement improvements. Pasternack reserves the right to make such changes as required. Unless otherwise stated, all specifications are nominal. Pasternack does not make any representation or warranty regarding the suitability of the part described herein for any particular purpose, and Pasternack does not assume any liability arising out of the use of any part or documentation.

PEWAN062-10SM CAD Drawing

WR-62 Standard Gain Horn with 10 dBi gain, SMA Male connector

| REVISIONS | | | |
|-----------|-----------------|------------|----------|
| REV. | DESCRIPTION | DATE | APPROVED |
| A | INITIAL RELEASE | 10/04/2021 | KHIETPAS |



PE PASTERNAK
an INFINITE brand

Pasternack Enterprises, Inc.
P. O. Box 16759, Irvine, CA 92623.
Phone: 1.949.261.1920 | 1.866.727.8376
Fax: 1.949.261.7451
Website: www.pasternack.com
E-mail: sales@pasternack.com

UNLESS OTHERWISE SPECIFIED
LEADING DIMENSIONS ARE INCHES
DIMENSIONS IN [] ARE MILLIMETERS

TOLERANCES:

| | | |
|--------------|--------|-------------|
| .X = ±.2 | [5.08] | FRACTIONS |
| .XX = ±.02 | [.51] | ± 1/32 |
| .XXX = ±.005 | [.13] | ANGLES ± 1° |

CABLE LENGTH (L) TOLERANCES:

| | | |
|----------------------|--------|-----------------|
| L ≤ 12 | [305] | = +1 [25] / -0 |
| 12 [305] < L ≤ 60 | [1524] | = +2 [51] / -0 |
| 60 [1524] < L ≤ 120 | [3048] | = +4 [102] / -0 |
| 120 [3048] < L ≤ 300 | [7620] | = +6 [152] / -0 |
| 300 [7620] < L | | = +5%L / -0 |

ALL DIMENSIONS SHOWN
ARE FOR REFERENCE ONLY.

THIRD-ANGLE PROJECTION

THE INFORMATION AND
DESIGN IN THIS DOCUMENT
IS THE PROPERTY OF
PASTERNAK CORPORATION
ALL RIGHTS RESERVED.

SHEET 1 OF 1
SCALE N/A

| | | | |
|------|-----------|-----------|---------------|
| SIZE | CAGE CODE | DRAWN BY | ITEM NO. |
| A | 53919 | BPUCHASKI | PEWAN062-10SM |
| REV | | | A |

NOTES:
1. LABEL PER ILS-100-05 (FOR INTERNAL REFERENCE ONLY)
LABEL LOCATION FOR REFERENCE ONLY

THESE COMMODITIES, TECHNOLOGY OR SOFTWARE WERE EXPORTED FROM THE UNITED STATES IN ACCORDANCE WITH THE EXPORT ADMINISTRATION REGULATIONS. DIVERSION CONTRARY TO U.S. LAW PROHIBITED.