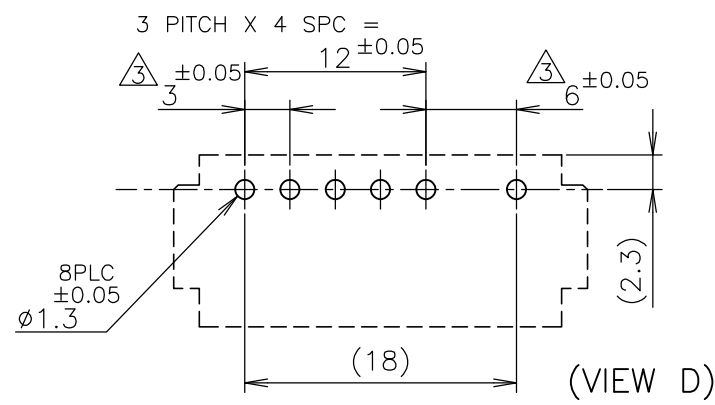
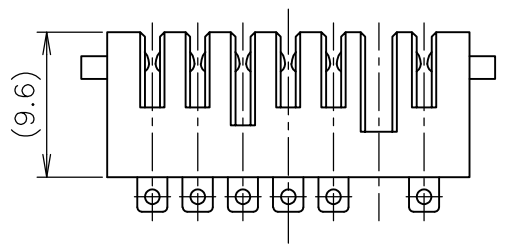
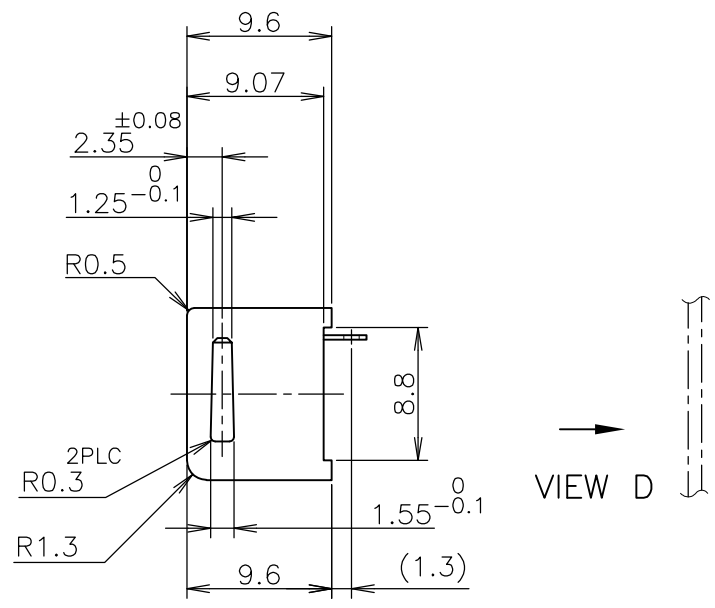
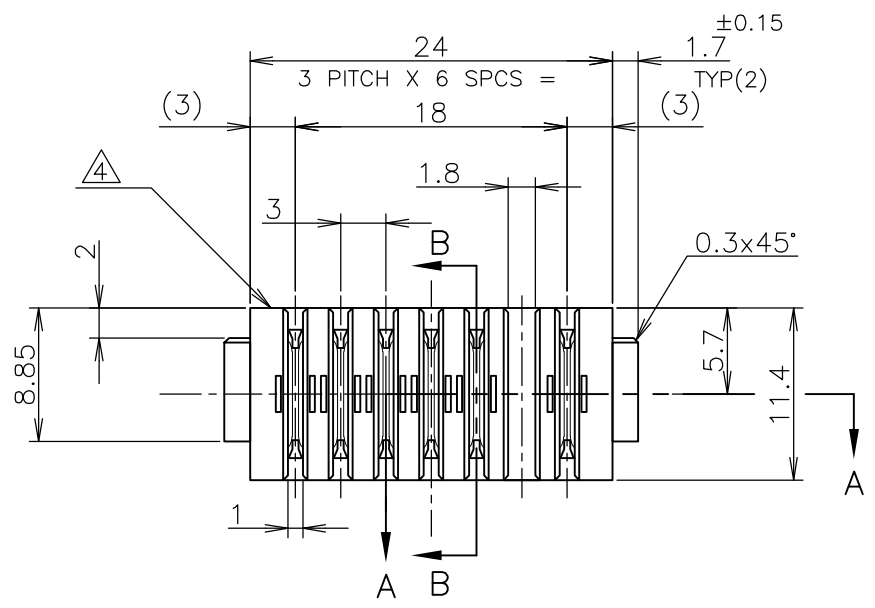
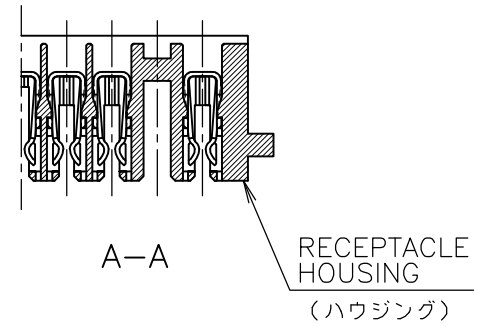
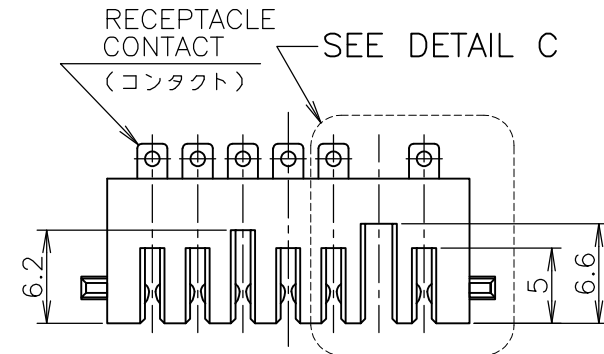


THIS DRAWING IS UNPUBLISHED. RELEASED FOR PUBLICATION
 © COPYRIGHT BY TYCO ELECTRONICS CORPORATION. ALL RIGHTS RESERVED.

LOC	DIST	REVISIONS					
		P	LTR	DESCRIPTION	DATE	DWN	APVD
J		C	REVISED	ECR-08-020195	18NOV08	T.T	T.F



基盤穴参考寸法
 REFERENCE P.C.BOARD HOLES LAYOUT
 (P.C.BOARD THK 0.8~1.0)
 適用型番 (APPLY P/N 5-353289-1)

GENERAL TOLERANCE
 一般公差

10 ≥	±0.2
30 ≥ > 10	±0.25
100 ≥ > 30	±0.3
ANGLES: ±3°	

- MATERIAL
 RECEPTACLE HOUSING: THERMOPLASTIC RESIN, UL94V-0, COLOR: BLACK
 RECEPTACLE CONTACT: COPPER ALLOY
- FINISH
 RECEPTACLE CONTACT: NICKEL PL ALL OVER, TIN-LEAD PL AT SOLDER TAB.

- △3 TOLERANCE: NON CUMMULATIVE.
- △4 INDICATE DATE CODE

- 材料
 リセプタクル ハウジング: 熱可塑性樹脂, UL94V-0, 色: 黒
 リセプタクル コンタクト: 銅合金
- 仕上げ
 リセプタクル コンタクト: 全面ニッケルめっき下地の
 上にソルダータブ部, 半田めっき。

- △3 非累積公差
- △4 デートコード刻印

1-353289-1: 本図
 AS SHOWN

TYPE DIP (6P)	5-353289-1
TYPE SPOT (6P)	3-353289-1
TYPE WIRE (6P)	1-353289-1
REMARKS	P/NO.

THIS DRAWING IS A CONTROLLED DOCUMENT.		DWN S.ABE 08AUG96	Tyco Electronics Corporation Kawasaki, Japan	
DIMENSIONS: 単位: 耗 mm		CHK T.YAMADA 19AUG96	NAME 名称	
TOLERANCES UNLESS OTHERWISE SPECIFIED: 一般公差		APVD T.YAMADA 19AUG96	RECEPTACLE ASSEMBLY 3mm PITCH BATTERY CONNECTOR	
0 PLC ±		PRODUCT SPEC 製品規格	SIZE A3	RESTRICTED TO
1 PLC ±		APPLICATION SPEC 取付適用規格	CAGE CODE 00779	DRAWING NO 353289
2 PLC ±		WEIGHT	SCALE 2:1	SHEET 1 OF 2
3 PLC ±		FINISH 仕上	CUSTOMER DRAWING	REV C
4 PLC ±				
ANGLES ±				
MATERIAL 材料				

PROJ NO.695-026

THIS DRAWING IS UNPUBLISHED.

RELEASED FOR PUBLICATION

© COPYRIGHT

BY TYCO ELECTRONICS CORPORATION.

ALL RIGHTS RESERVED.

LOC
J

DIST

REVISIONS

変更

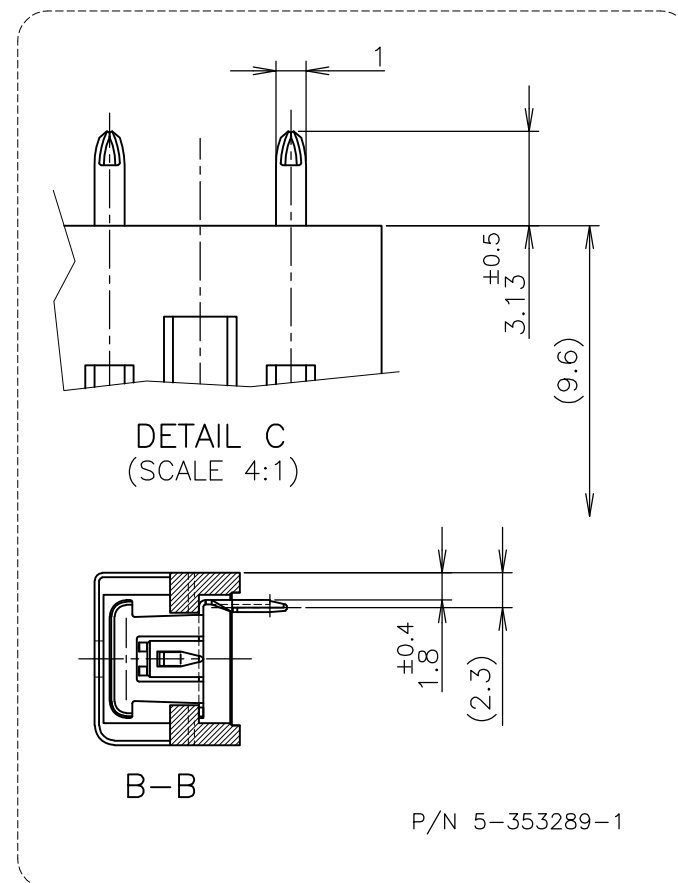
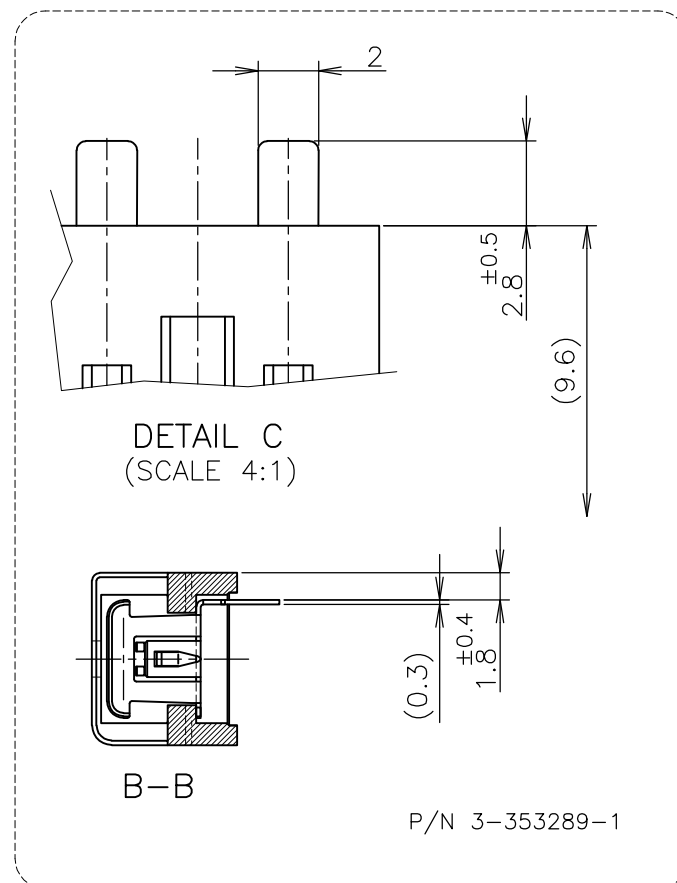
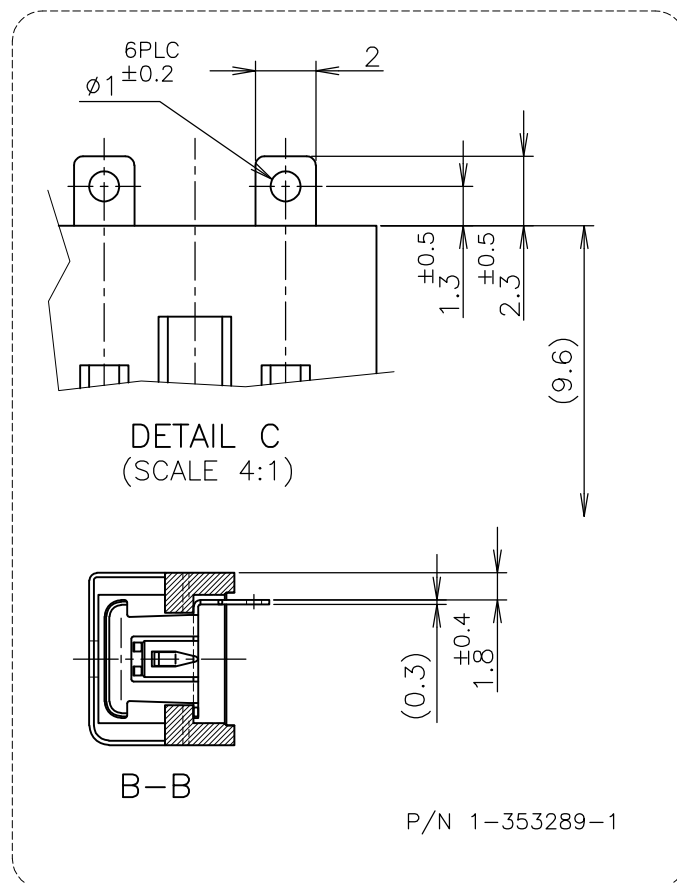
DESCRIPTION

DATE

DWN

APVD

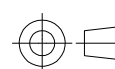
SEE SHEET 1



THIS DRAWING IS A CONTROLLED DOCUMENT.

DIMENSIONS:
単位: 耗
mm

TOLERANCES UNLESS
OTHERWISE SPECIFIED:
一般公差



- 0 PLC ±
- 1 PLC ±
- 2 PLC ±
- 3 PLC ±
- 4 PLC ±
- ANGLES ±
- FINISH 仕上

MATERIAL
材料

DWN

CHK

APVD

PRODUCT SPEC
製品規格

APPLICATION SPEC
取付適用規格

WEIGHT



Tyco Electronics Corporation
Kawasaki, Japan

NAME
名称

RECEPTACLE ASSEMBLY
3mm PITCH BATTERY CONNECTOR

SIZE

CAGE CODE

DRAWING NO
番号

RESTRICTED TO

A3 00779

G-353289

CUSTOMER DRAWING

SCALE
尺度 2:1

SHEET
2 OF 2

REV
C