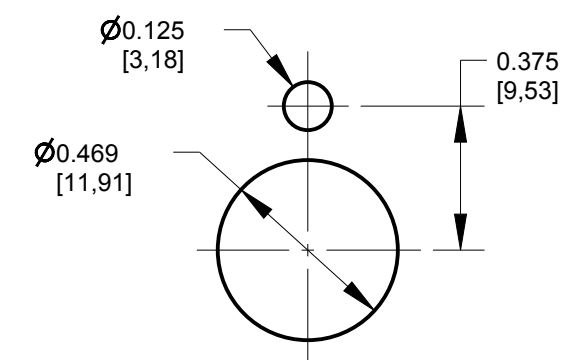
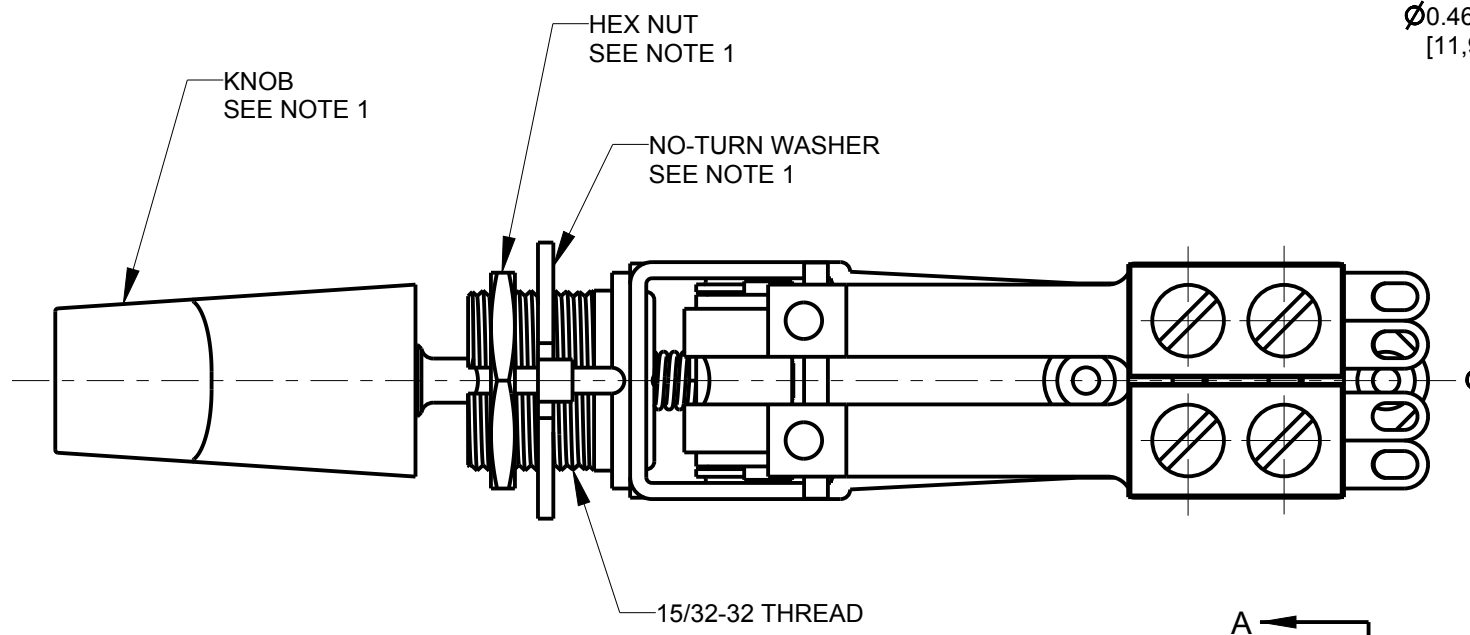
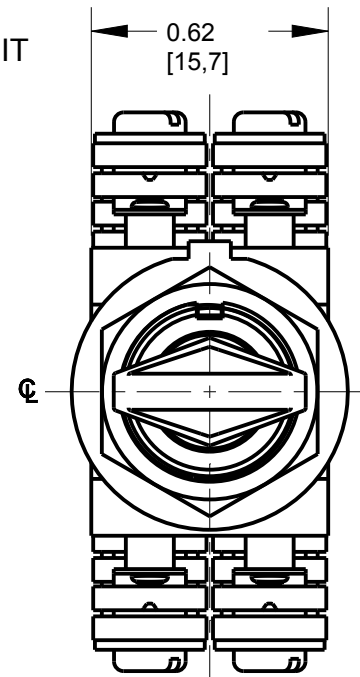
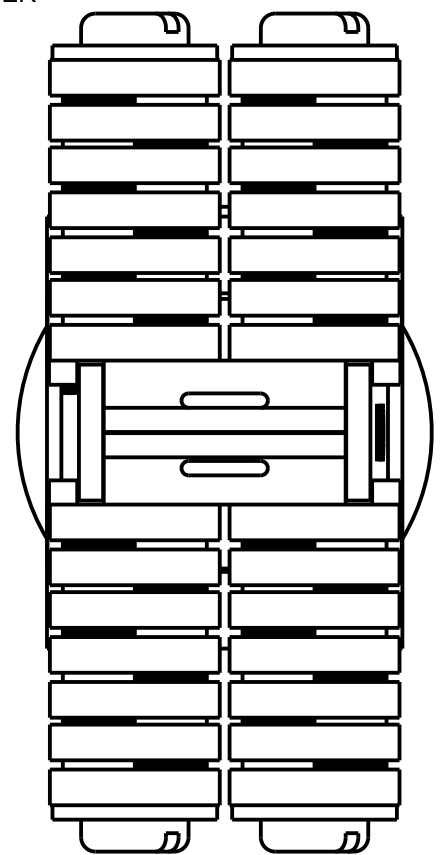
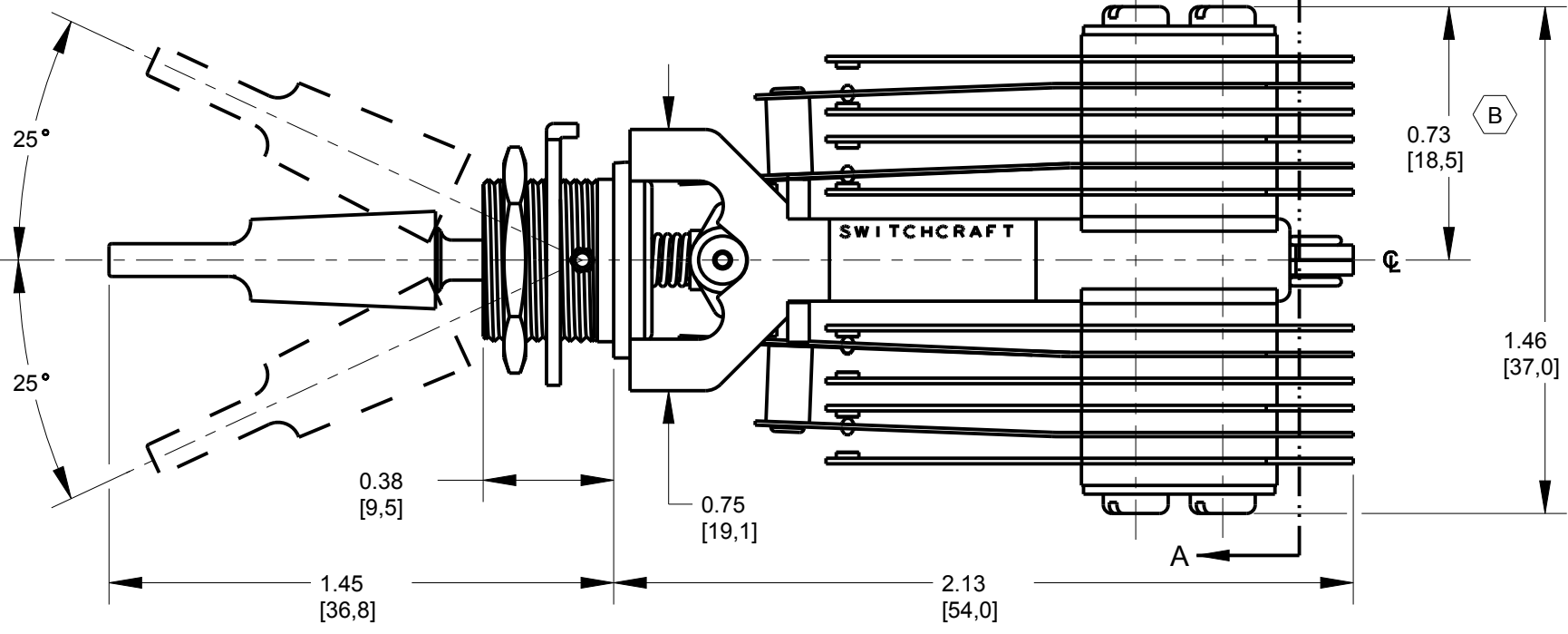


SCHMATIC CIRCUIT
TYP (2)



RECOMMENDED PANEL CUT-OUT
FOR USE WITH NO-TURN WASHER



SECTION A-A
TERMINAL POSITIONS
SCALE 3:1

CUSTOMER DRAWING

- NOTES:
1. KNOB AND HARDWARE SHIPPED UNASSEMBLED.
 2. MAX PANEL THICKNESS: 0.25 [6.4]

3. MATERIALS:
- FRAME - CRS, ZINC PLATED
 - BUSHING & ACTUATOR - COPPER ALLOY, NICKEL PLATED
 - SPRINGS - SPECIAL COPPER ALLOY
 - TERMINALS - TINNED DIPPED SOLDER LUGS
 - INSULATORS - PHENOLIC
 - LIFTERS & ROLLERS - THERMOPLASTIC
 - SCREWS - CRS, NICKEL PLATED
 - HEX NUT - COPPER ALLOY, NICKEL PLATED
 - WASHER - CRS, NICKEL PLATED
 - KNOB - THERMOPLASTIC, BLACK

4. THIS PRODUCT IS RoHS COMPLIANT

REV	ECO NUMBER	DATE	BY	APVD
B	27887	05-12-17	TJK	TJK
A	26856	10-18-11	TJK	TJK

REVISIONS

★ STAR SYMBOL DENOTES CRITICAL DIMENSION

UNLESS OTHERWISE SPECIFIED

1. ALL DIMENSIONS IN INCHES
-TWO PLACE DECIMALS ±0.01
-THREE PLACE DECIMALS ±0.005
-ANGLES ±1°
-ALL DIA. CONCENTRIC WITHIN 0.005 T.I.R.
2. FEATURES ON THE SAME CENTERLINE
MUST BE ALIGNED WITHIN ±0.002
3. REMOVE ALL BURRS

DO NOT SCALE DRAWING

THIS DRAWING DESCRIBES A DESIGN CONSIDERED PROPRIETARY IN NATURE, DEVELOPED AND MANUFACTURED BY SWITCHCRAFT INC. AND IS RELEASED ON A CONFIDENTIAL BASIS FOR IDENTIFICATION PURPOSES ONLY.				
SIZE	WIDTH	MULT	LBS/M	TEMPER
FINISH		MATERIAL		
SPEC No.		SPEC No.		
FIRST USED ON		SCALE		
		2:1		
DATE DRAWN	BY	CHKD	APVD	
Apr-25-19	TJK	TJK	TJK	
		04-25-19	04-25-19	
NAME		PART No.		REV
LT SERIES LEVER SWITCH 3 POSITION LOCKING, RoHS		41324LX		B



SHEET 1 OF 1

41324LX

B

