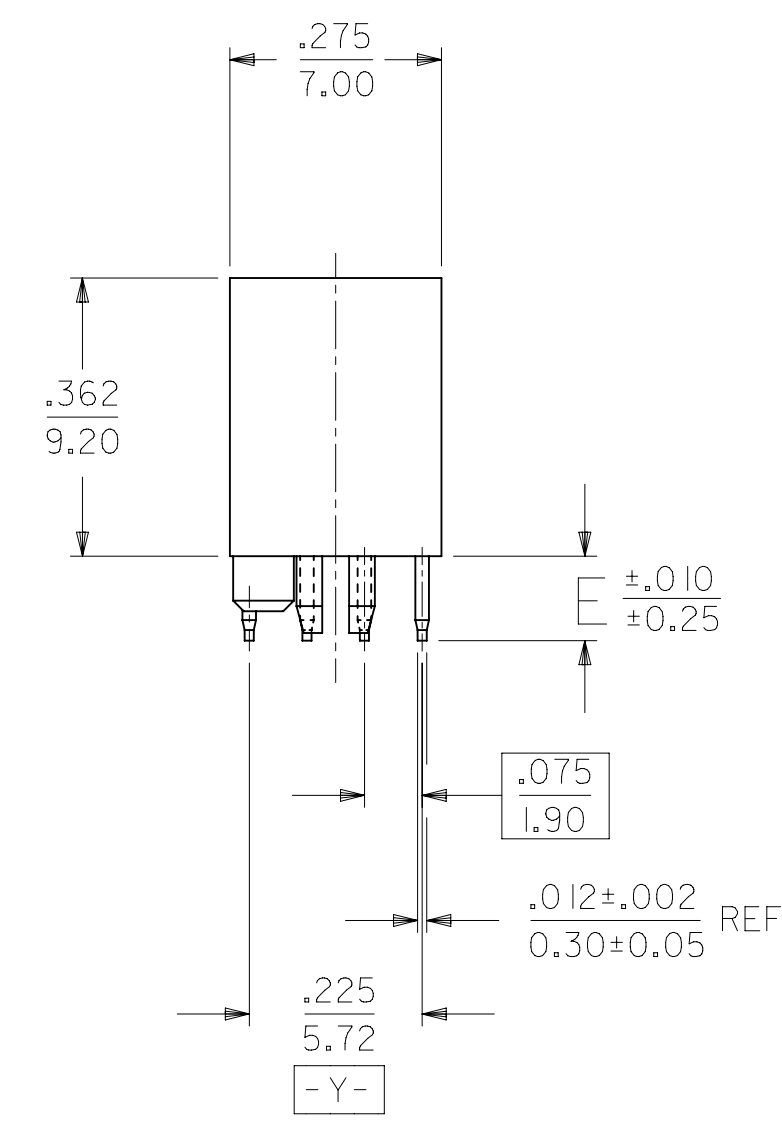
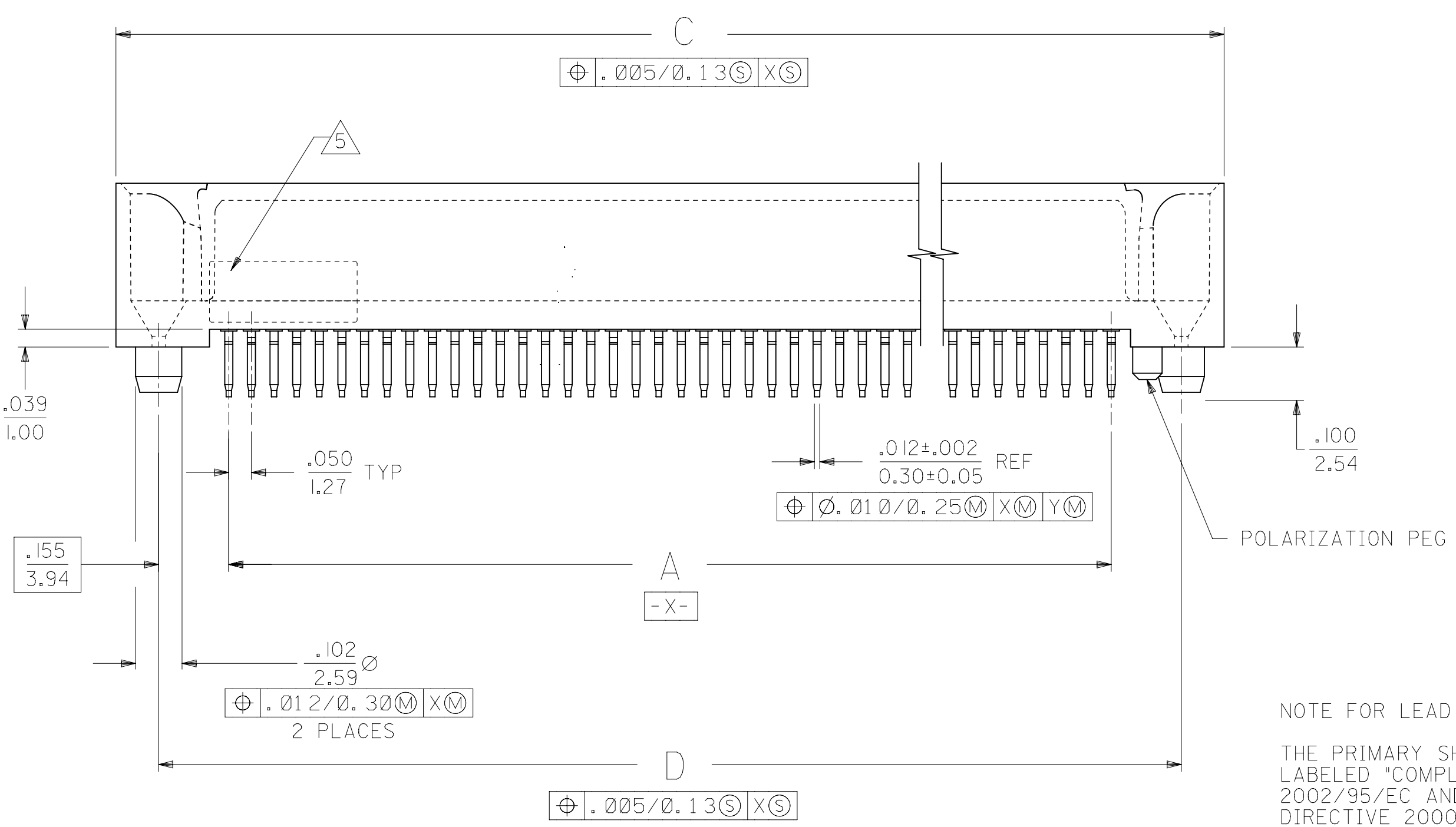
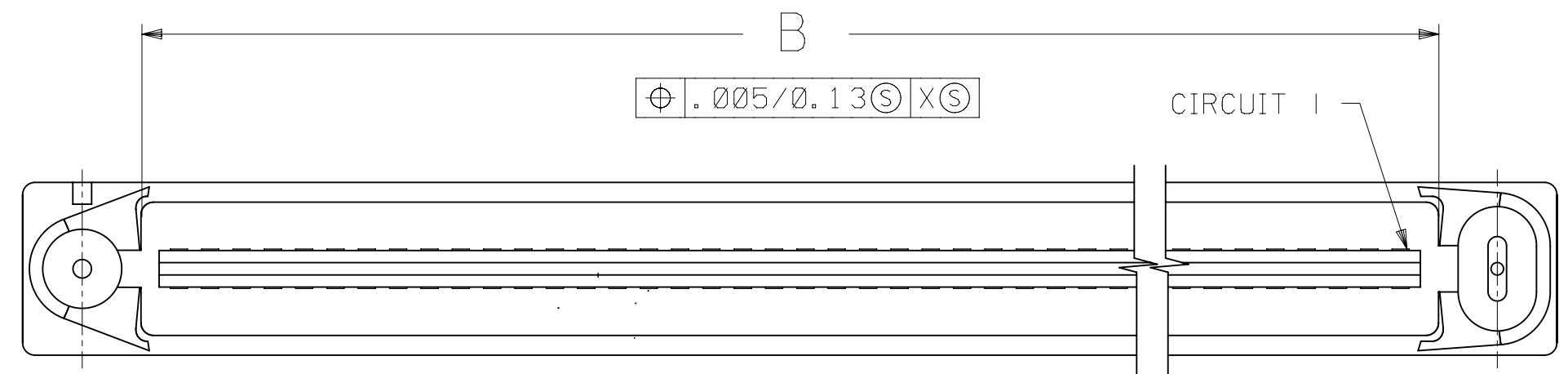


NOTES:

- 1) MATERIALS:  
HOUSING - LIQUID CRYSTAL POLYMER (LCP), GLASS FILLED, UL94V-0, COLOR: BLACK  
TERMINALS - COPPER ALLOY
- 2) TERMINAL FINISH:  
30 MICROINCH/0.76 MICROMETER MINIMUM GOLD IN CONTACT AREA AND 50 MICROINCH/1.27 MICROMETER MINIMUM TIN IN TAIL AREA OVER NICKEL UNDERPLATE OVERALL.
- 3) ASSEMBLY MATES WITH MOLEX PART NUMBER 71660-7\*\*\*. CONFORMS TO PRODUCT SPECIFICATION PS-71660.
- 4) RECOMMENDED P.C. BOARD THICKNESS IS .062/1.6 MILLIMETER.
- 5) FOUR DIGIT DATE CODE TO BE LOCATED ON SURFACE AS SHOWN.
- 6) PRODUCT PACKAGED PER SPECIFICATION PK-71660.



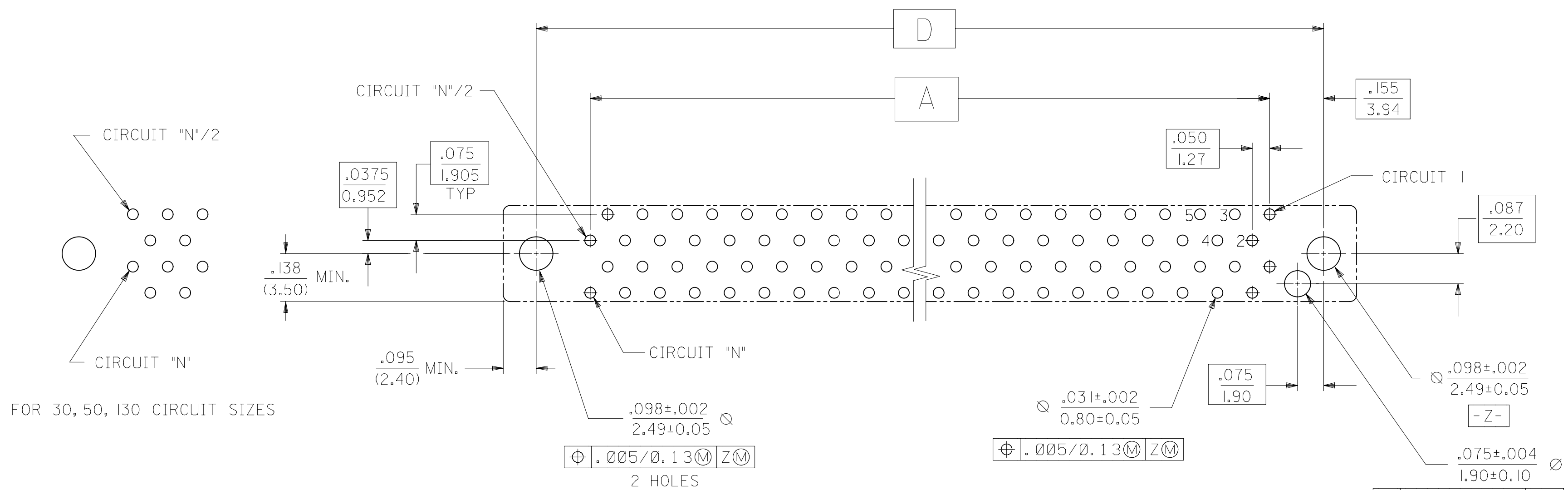
NOTE FOR LEAD FREE CONVERSION:

THE PRIMARY SHIPPING CARTON WILL BE LABELED "COMPLIANT TO RoHS DIRECTIVE 2002/95/EC AND ELV ANNEX II OF DIRECTIVE 2000/53/EC". CARTONS WITHOUT THIS LABEL MAY CONTAIN PRODUCT WITH LEAD.

N	OBSOLETE PART NO
	RPRABHUM
M	OBSOLETE PART NO
	AKUMAR19
L	LEAD FREE CONV ECN UCP2004-2096 RKADAMS 04/04/26
K	REVISED PER ECN U71314 ACHAMMER 97-4-28
J	REVISED PER ECN U70133 ACHAMMER 96-8-7
I	REVISED PER ECN U61477 7-3-96 DGA
H	REVISED PER ECN U61278 5-2-96 DGA
G	REVISED PER ECN U60641 11-28-95 DRS
F	REVISED PER ECN U60564 11-8-95 RAN
E	REVISED PER ECN U50229 9-23-94 RAN
D	REVISED PER ECN U50090 8-30-94 RAN
C	REVISED PER ECN U40506 4-15-94 RAN
B	REVISED PER ECN U40305 3-4-94 RAN
A	INITIAL RELEASE PER ECN U31832 12-15-93 RAN
	PRELIMINARY 11-17-93 RAN
	REVISIONS
	2 K
	1 L
	MFG. SH. REV. LTR.

THIS DRAWING CONTAINS INFORMATION THAT IS PROPRIETARY TO MOLEX ELECTRONIC TECHNOLOGIES, LLC AND SHOULD NOT BE USED WITHOUT WRITTEN PERMISSION									
DIMENSION UNITS		SCALE		CURRENT REV DESC: OBSOLETE PART NUMBERS					
IN/MM		4:1		<p><b>molex</b></p> <p>SALES ASSEMBLY EBBI 50D, VERTICAL PLUG BLIND MATE CONNECTOR</p> <p>PRODUCT CUSTOMER DRAWING</p> <p>DOCUMENT NUMBER: <b>SDA-71661-7XXX</b>   DOC TYPE: PSD   DOC PART: 001   REVISION: N</p>					
GENERAL TOLERANCES (UNLESS SPECIFIED)									
	MM		INCH						
4 PLACES	±		±						
3 PLACES	±		± 0.005						
2 PLACES	±	0.13	± 0.01						
1 PLACE	±		±						
0 PLACES	±		±						
ANGULAR TOL ± 0.5°				EC NO: 644856 DRWN: RPRABHUM CHK'D: GGA APPR: GGA 2020/07/16 2020/10/07 2020/10/07 INITIAL REVISION: DRWN: RAN APPR: CAB					
DRAFT WHERE APPLICABLE MUST REMAIN WITHIN DIMENSIONS				THIRD ANGLE PROJECTION		DRAWING		SERIES	
				C-SIZE		71661		MATERIAL NUMBER	
								CUSTOMER	
								GENERAL MARKET	
								SHEET NUMBER	
								1 OF 2	

ITEM NUMBER	CKT ("N")	A	B	C	D	E
71661-7030	30	.700 (17.78)	.820 (20.83)	1.199 (30.45)	1.010 (25.65)	.110 (2.79)
71661-7050	50	1.200 (30.48)	1.320 (33.53)	1.699 (43.15)	1.510 (38.35)	.110 (2.79)



RECOMMENDED PC BOARD LAYOUT  $\triangle 4$   
 COMPONENT SIDE  
 FOR 40, 60, 68, 80, 100, 120 CIRCUIT SIZES

THIS DRAWING CONTAINS INFORMATION THAT IS PROPRIETARY TO MOLEX ELECTRONIC TECHNOLOGIES, LLC AND SHOULD NOT BE USED WITHOUT WRITTEN PERMISSION									
DIMENSION UNITS <b>IN/MM</b>		SCALE <b>4:1</b>		CURRENT REV DESC: OBSOLETE PART NUMBERS				<b>molex</b>	
GENERAL TOLERANCES (UNLESS SPECIFIED)				EC NO: 644856					
				DRWN: RPRABHUM				SALES ASSEMBLY	
				CHK'D: GGA				EBBI 50D, VERTICAL PLUG BLIND MATE	
				APPR: GGA				CONNECTOR	
				INITIAL REVISION:				PRODUCT CUSTOMER DRAWING	
				DRWN: RAN				DOCUMENT NUMBER	
				APPR: CAB				SDA-71661-7XXX	
				THIRD ANGLE PROJECTION		DRAWING		DOC TYPE	
				C-SIZE		SERIES		DOC PART	
				71661		MATERIAL NUMBER		REVISION	
				SEE TABLE		CUSTOMER		PSD 001 N	
				GENERAL MARKET		SHEET NUMBER		2 OF 2	

DOCUMENT STATUS	P1	RELEASE DATE	2020/10/07	13:33:39
-----------------	----	--------------	------------	----------