

Environment Sensing Board

NO.EEV-576-211118

1. Overview

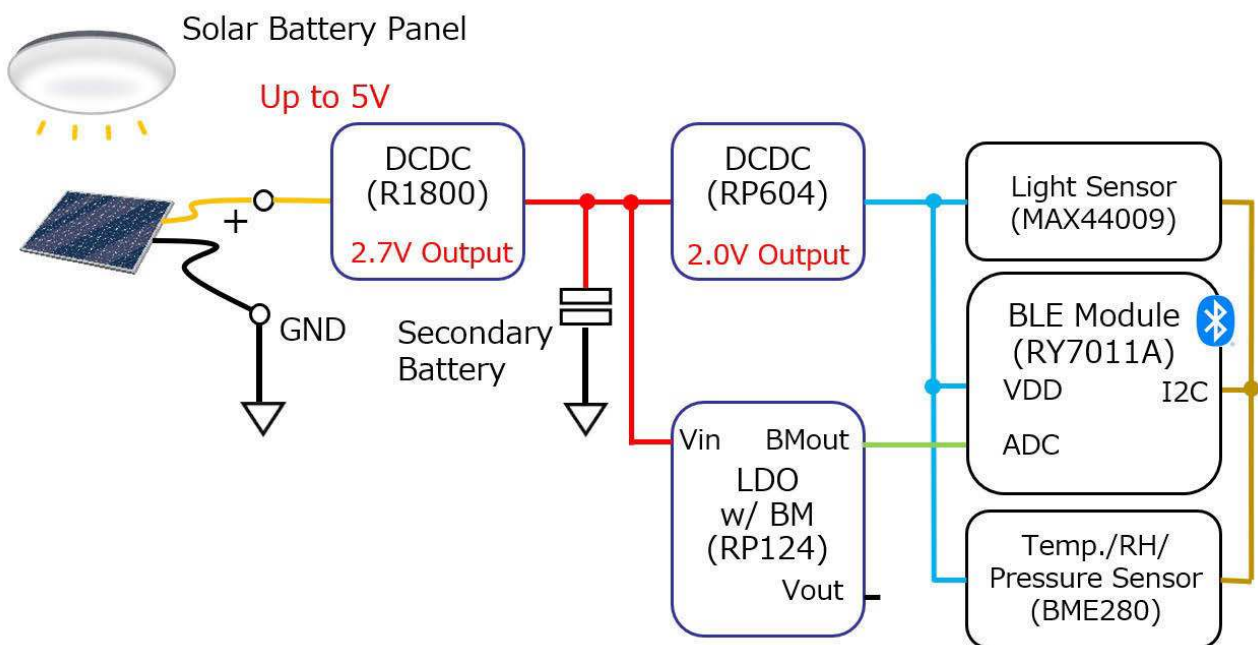
The RIOT-001, an environment sensing board, transmits data obtained from a temperature/humidity and pressure sensor (BME280) and an ambient light sensor (MAX44009) to tablets or other smart devices by using Bluetooth Low Energy (BLE). It can operate with a solar battery panel for indoor light*1.

The electric power a solar battery panel generates is harvested efficiently by the R1800, a buck DC/DC converter for energy harvest, and stored in a small Li-ion secondary battery. The stored power is supplied to a BLE module with an MCU and sensors by the RP604, an ultra-low supply current buck-boost DC/DC converter.

The board also includes the RP124, a voltage regulator with a battery monitor, to monitor the secondary battery voltage. By transmitting battery information to tablets or other smart devices via an AD converter inside the BLE module, it is possible to check the state of the secondary battery voltage.

2. Board Specifications

2-1. Block Diagram



*1 Solar battery panels are not provided with the board.

2-2. Ratings

Symbol	Parameter	Condition	Min.	Typ.	Max.
V _{in}	Input Voltage		2.0 V	-	5.5 V
V _{mp}	Max. Power Voltage			4.4 V	
V _{out}	Output Voltage		1.79 V	2.0 V	2.03 V
V _{lib}	Secondary Battery Charging Voltage		2.62 V	2.7 V	2.78 V
I _{cc}	Avg. Operating Current			16.4 uA *2	
T _a	Operating Temperature	No condensation	0°C		50°C

*2 The value refers to an average supply current when the board is used with firmware that intermittently operates once per 5 seconds.

2-3. BLE Transmission

The board contains an integrated sensor (BME280) measuring temperature, humidity and pressure, an ambient light sensor (MAX44009), and a voltage regulator with a battery monitor (RP124) for measurement of the secondary battery voltage. It calculates the measured values at BLE transmission and transmits them as BLE advertising data.

The following list shows format specifications of the BLE advertising data.

Types	Data
Flags	02 01 04
Local Name	06 09 ① ① ① ① ①
Manufacture Data	0F FF 5B 08 00 05 ② ② ③ ③ ④ ④ ⑤ ⑤ ⑥ ⑥

①

Stores a 5-byte-long device name.

②

Temperature (°C). Stores a 2-byte signed datum (hexadecimal representation) determined by calculating a value to the first decimal place and multiplying it by 10.

③

Humidity (%RH). Stores a 2-byte unsigned datum (hexadecimal representation) determined by calculating a value to the first decimal place and multiplying it by 10.

④

Air pressure (hPa). Stores a 2-byte unsigned datum (hexadecimal representation) determined by calculating a value to the first decimal place and multiplying it by 10.

⑤

Illuminance (Lux). Stores a 2-byte unsigned datum (hexadecimal representation) determined by dividing a calculated integral number by 4 (fractions smaller than 4 omitted).

⑥

Battery voltage (V). Stores a 2-byte unsigned datum (hexadecimal representation) determined by calculating a value to the third decimal place and multiplying it by 1000.

The 2-byte data mentioned above are stored in a little-endian format.

An example of BLE advertising data is shown below: R0001, the device name; temperature at 25.2°C; humidity at 40.8%; pressure at 1012.4 hPa; illuminance at 680 Lux; battery voltage at 2.62 V.

Types	Data
Flags	02 01 04
Local Name	06 09 52 30 30 30 31
Manufacture Data	0F FF 5B 08 00 05 FC 00 98 01 8C 27 AA 00 3C 0A

BLE advertising data are broadcast once per 5 seconds*3. The transmitted information is readable with RIOT Monitor, our application for Android devices (Ver.7.0 or above).

(*3) A default value. The operation interval may vary by the firmware used with this board.

2-4. Main Parts

Part No.	Product Name	Product No.	Vendor	Notes
IC1	Buck DC/DC Converter for Energy Harvest	R1800K022A	Nisshinbo Micro Devices	For power control from a solar battery panel
IC2	Buck-boost DC/DC Converter	RP604K201B	Nisshinbo Micro Devices	A power supply for the BLE module, etc.
IC3	Temperature, Humidity and Pressure Sensor	BME280	BOSCH	
IC4	LDO + Battery Monitor	RP124L123B	Nisshinbo Micro Devices	A battery monitor for secondary battery voltage
IC6	Ambient Light Sensor	MAX44009	MAXIM	For illuminance measurement
IC7	BLE Module	RY7011A	Renesas Electronics	A BLE module including an MCU
B1	Secondary Battery	SLB03070LR35	Nichicon	SLB series φ 3 x 7 L (mm)

Links to datasheets of each component are below. (*4)

R1800K022A

<https://www.nisshinbo-microdevices.co.jp/en/pdf/datasheet/r1800-ea.pdf>

RP604K201B

<https://www.nisshinbo-microdevices.co.jp/en/pdf/datasheet/rp604-ea.pdf>

RP124L123B

<https://www.nisshinbo-microdevices.co.jp/en/pdf/datasheet/rp124-ea.pdf>

BME280

https://www.bosch-sensortec.com/bst/products/all_products/bme280

MAX44009

<https://www.maximintegrated.com/en/products/interface/sensor-interface/MAX44009.html>

RY7011A

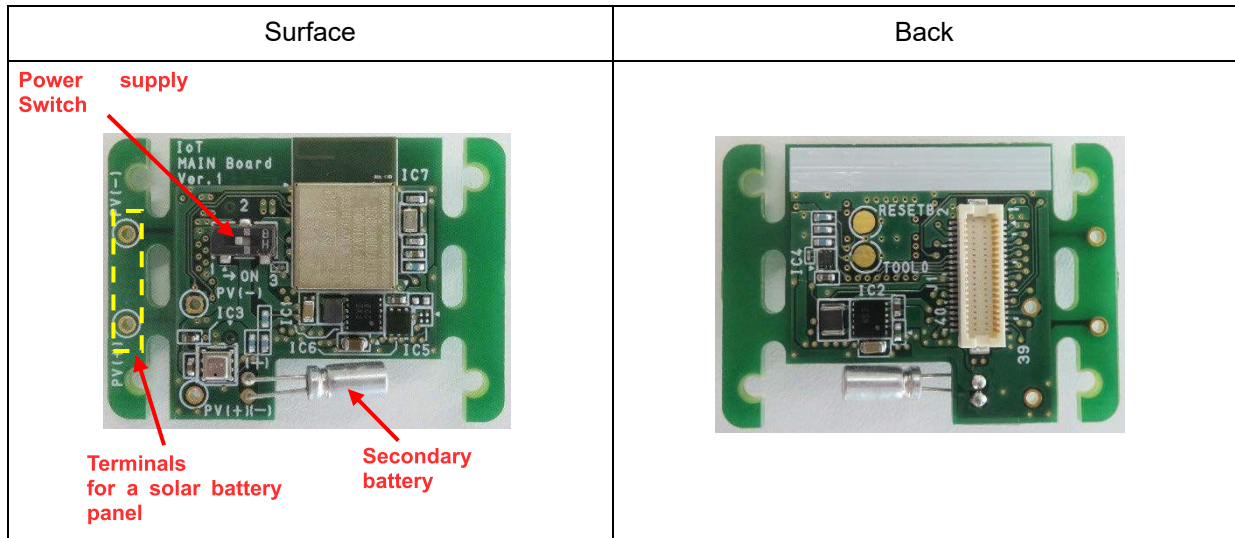
<https://www.renesas.com/us/en/products/microcontrollers-microprocessors/rl78/rl78g1x/rl78g1d/device/RY7011A0000DZ00.html>

SLB03070LR35

https://www.nichicon.co.jp/assets/pdf/products/slb/en_specification1.pdf

(*4) Check the latest information on the vendors' web sites because the specifications and URLs may be updated.

2-5. Appearance



2-6. Recommended Solar Battery Panels

Amorphous silicon solar battery panels for indoor products suggested below are highly recommended.

Vendor: Panasonic Solar Amorton Co., Ltd.

Product name: AM-18xx series (open-circuit voltage: $V_{oc} = 5.0\text{ V}$)

Link to reference: <https://panasonic.co.jp/ls/psam/en/products/>

Other solar battery panels with V_{oc} from 4.0 V to 5.5 V are also available (optimal voltage: 5.0 V).

The terminals of the solar battery panel must be connected to the terminals of the board by such as soldering, etc.

2-7. Power Supply Switch

Slide the power supply switch to the ON printed on the board, and the board will start the operation as an environmental sensor by providing the BLE module and the sensors with electricity.



1. The products and product specifications described in this document are subject to change or discontinuation of production without notice for reasons such as improvement. Therefore, before deciding to use the products, Customer shall refer to our sales representatives for the latest information thereon.
The information contained in this document is carefully prepared for accuracy, but does not warrant that there will be no mistakes. Please note that our company is not responsible for any damage to customers caused by any errors or inaccuracies in this document.
2. The information contained in this document is presented only as examples and guidance of product use. Please note that our company assumes no liability for any damage to customers caused by use of the products.
3. Customers shall be solely responsible for all aspects of their own product-design and applications in use of the circuit, software or related information described in this document: design including the products or incorporation of the products into their own applications. In this regard, customers must provide shipping inspections to ensure design for safety such as redundancy, anti-failure and fire containment. Aging process is also necessary to ensure customers' design standard for safety.
The technical information described in this document shows typical characteristics and examples of application circuits for the products.
4. The release of such information does not guarantee a grant of license of our company's or any third party's intellectual property rights or any other rights related to the products including combination with any other products.
The materials in this document may not be copied or otherwise reproduced in whole or in part without prior written consent of us.
5. In the event that any product or related technology described in this document falls under the category of products controlled under Foreign Exchange and Foreign Control Trade Law, exporting of such products or technology shall require an export license from the Japanese government in accordance with the above law.
6. The products and technology shall not be used for any products or systems of which manufacturing or sales is prohibited under any applicable laws or regulations.
7. The certification labels, including the technical conformity mark validated by Japan Radio Act, are on the surface of the RL78/G1D module. Please follow the radio wave regulation of the country where this product is used.
8. Our company is not responsible for damage caused by failure to properly follow the recommended operating conditions or product specifications described in this document.
9. Customer shall not disassemble, analyze, reverse-engineer, alter, modify or the like the products, whether in whole or in part. In case of the above, we does not warrant the products
10. Our company does not warrant functional characteristics and performance depending on the software made by customers.
11. Our company does not warrant interconnectivity and/or compatibility between the products and components except for the recommended components described in this document.
12. All the information contained in this document is applied to only the products purchased through proper channels such as our sales representatives.
Please note that our warranty does not cover free samples and products purchased via another channels.
13. This product is a sample board for customers to understand our power management ICs. Safety, reliability, compatibility, etc., which are commonly required by final products for consumers or industries, are not considered in design, nor in sales, nor in manufacturing.
Please note that we do not take any responsibility or liability for any damage or loss using the product for any final products for consumer or industry.
14. Customers shall be strictly prohibited to use the products in equipment or systems that require extreme level of quality and reliability, and of which malfunction or failure may cause loss of human life and/or bodily injury, e.g., equipment used in aerospace industry, nuclear reactor control systems, traffic control systems, automotive and transportation equipment, combustion equipment, safety devices, life support systems.
15. Customer shall not use the products under any of the conditions mentioned below. This may cause malfunction or defect.
 - in water
 - in high humidity
 - under oily environment
 - in corrosive atmosphere
 - under environment with corrosive gas or inflammable gas
 - under an extremely high or low temperature environment
 - under conditions of violent vibration
 - in the place that generates electrostatic charges and electrifies
 - in a place that exposed to direct sunlight
 - in a dusty placeAnti-radiation design is not implemented in the products described in this document.
16. Improper or unintended use or misuse may lead to loss of human life and bodily injury, firing and smoking, failure of the products and connected components, and damage to property or loss of social profits.
17. Sharp edge of components such as short plug may unavoidably appear. Customer shall handle the products with the utmost care and attention to avoid injury from the sharp edge.
18. To avoid electrostatic discharge failure, Customer shall not touch the metal portion of the connector with bare hands or fingers.
Also, Customer shall remove static electricity of the human body before handling the products through touching something made of metal such as door handles. Customer shall turn off immediately when firing, smoking or abnormal heating occur during operation.
19. When connecting the products to other products, Customer shall not give excessive stress on the products. Customer shall not warp boards nor push forcefully the mounted components.
20. Customer shall not apply the supply voltage to the product if the surface of the board is wet or the product touches any metals.
21. The X-ray exposure can influence functions and characteristics of the products.
22. Do not turn on this product at the place where using wireless devices is prohibited, such as in airplanes, hospitals, near an implantable cardiac pacemaker or medical electrical equipment, etc.
The radio wave generated from this product may interfere with those devices' operation.
23. This product may be affected by radio waves emitted from devices or equipment such as wireless LAN, BLE devices, digital cordless phones, microwave ovens, etc.
24. This product must not be incorporated nor used in a metallic cabinet. Also, do not use cabinets whose coating materials contain metal composition.
25. Our company warrants the products with exceptions as indicated below, to the original purchaser to be free of defects for a period of three months from the date of arrival. Within the warranty period, we will replace a defective product with a substitute. We assumes no liability for indirect, special or incidental damage or loss including loss of profits and consequential damage regardless of possibility of anticipation.



Nisshinbo Micro Devices Inc.

Official website

<https://www.nisshinbo-microdevices.co.jp/en/>

Purchase information

<https://www.nisshinbo-microdevices.co.jp/en/buy/>