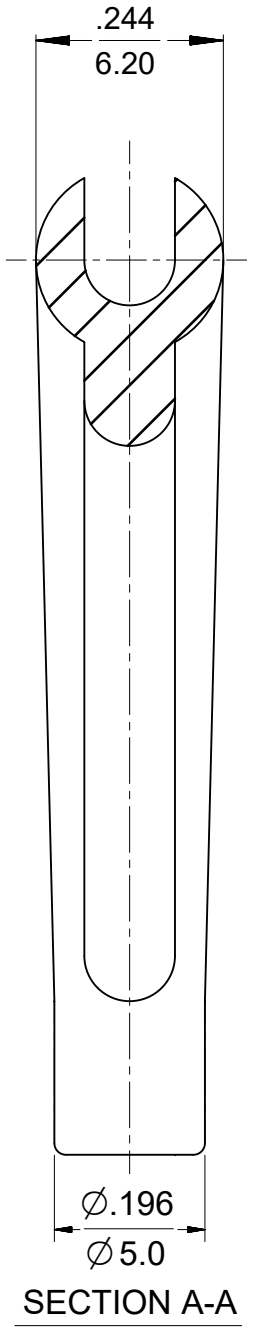
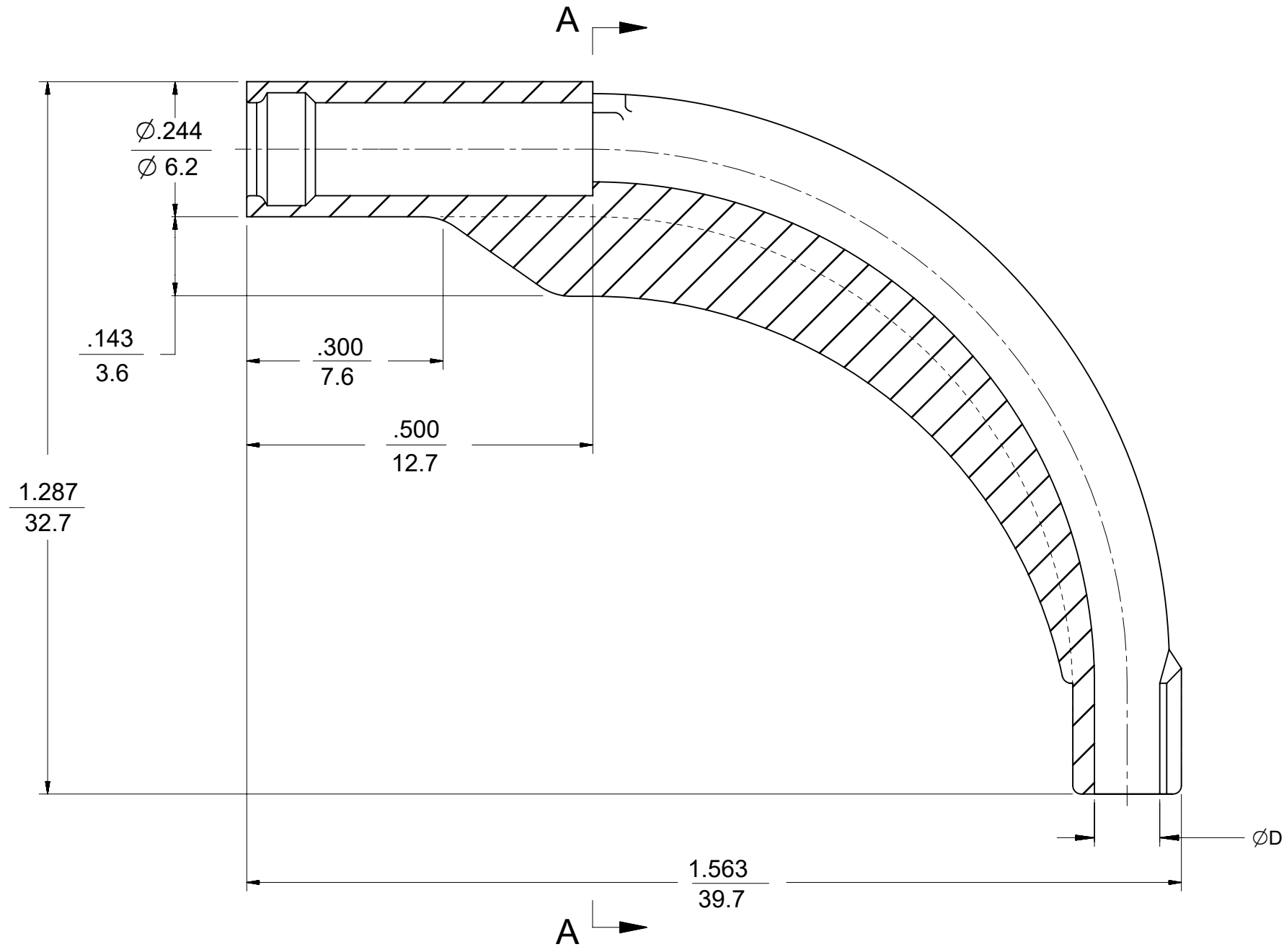
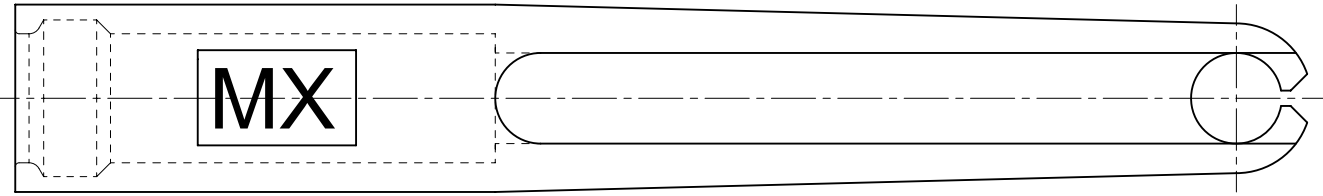


BOOT PART NUMBER	CABLE DIAMETER	COLOR	ØD (in/mm)
106063-3401	3.0mm	BLUE	Ø .118
106063-3461		BEIGE	Ø 3.0
106063-3601	2.4mm	BLUE	Ø .086 Ø 2.2
106063-5601		YELLOW	
106063-3661		BEIGE	
106063-5671		BLACK	
106065-5601		GREEN	



THIS DRAWING CONTAINS INFORMATION THAT IS PROPRIETARY TO MOLEX ELECTRONIC TECHNOLOGIES, LLC AND SHOULD NOT BE USED WITHOUT WRITTEN PERMISSION

DIMENSION UNITS INCH	SCALE 2.5:1	CURRENT REV DESC: OBSOLETE PART NUMBERS AS PER PCN 508518	molex		
GENERAL TOLERANCES (UNLESS SPECIFIED)		EC NO: 671087			
4 PLACES ±		DRWN: RPRABHUM	PRODUCT CUSTOMER DRAWING		
3 PLACES ±	± 0.005	CHK'D: GGA	DOCUMENT NUMBER	DOC TYPE	DOC PART
2 PLACES ±	± 0.01	APPR: GGA	SD-10606X-XXX1	PSD	001
1 PLACE ±		INITIAL REVISION:	REVISION		
0 PLACES ±		DRWN: KPEVZNER			
ANGULAR TOL ± 0.5°		APPR:			
DRAFT WHERE APPLICABLE MUST REMAIN WITHIN DIMENSIONS	THIRD ANGLE PROJECTION	DRAWING	SERIES	MATERIAL NUMBER	CUSTOMER
		B-SIZE	106063	SEE TABLE	GENERAL MARKET
					SHEET NUMBER
					1 OF 1