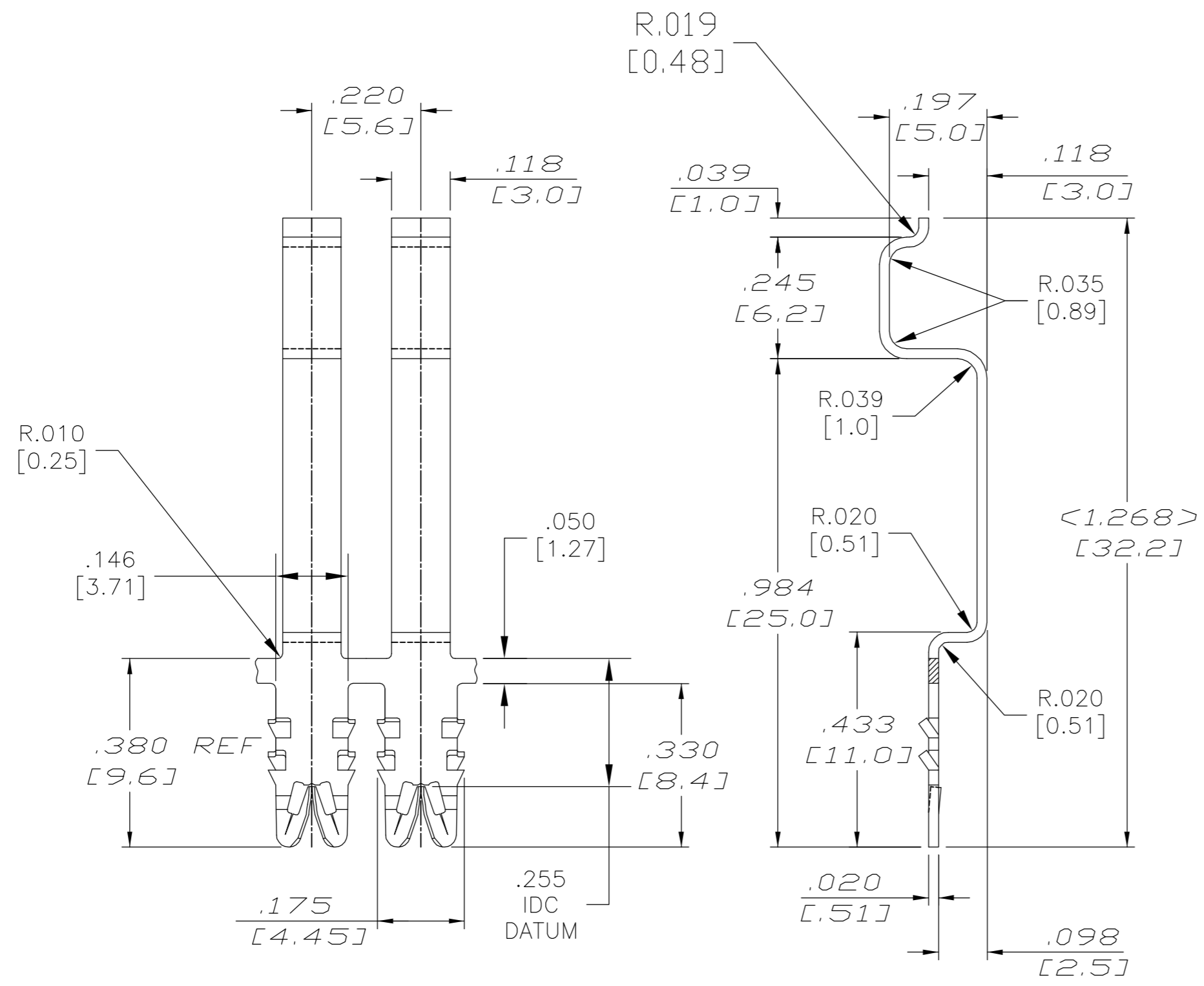
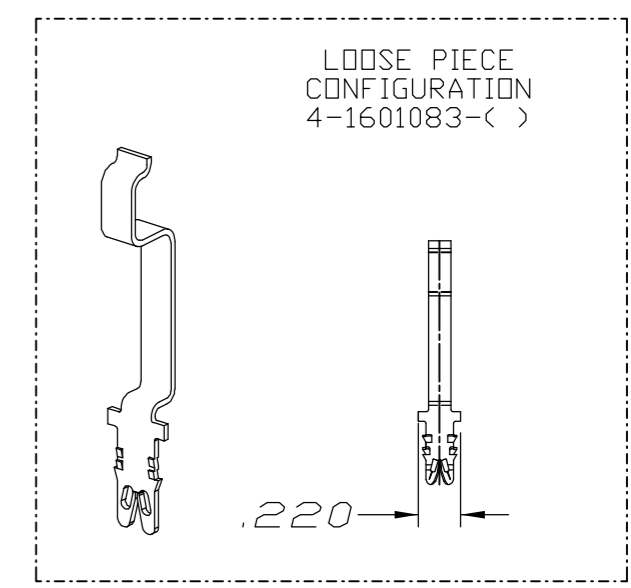


THIS DRAWING IS UNPUBLISHED. RELEASED FOR PUBLICATION
 © COPYRIGHT BY TYCO ELECTRONICS CORPORATION. ALL RIGHTS RESERVED.

LOC		DIST		REVISIONS			
P	LTR	DESCRIPTION		DATE	DWN	APVD	
AF	50	D	REV PER ECR	06-006952	30MAR06	JR	GJ



1. SPECIFICATIONS:
MAGNET WIRE #18 - #34 AWG,
.040" (1.02MM) - .006" (0.16MM) DIA. COPPER
OTHER SIZES MAY BE ACCOMMODATED,
CONSULT TYCO ELECTRONICS FOR APPROVAL.
2. POCKET RECOMMENDATION:
#1601425
3. NOTES:
TERMINALS SUPPLIED ON REELS,
CAN BE SUPPLIED LOOSE PIECE,
4. TERMINAL APPLICATION TO COMPLY WITH
TYCO ELECTRONICS SPEC #114-13166, FIG 9
5. PRELIMINARY - NOT FOR PRODUCTION



OBSOLETE

FINISH	REFERENCE PART NUMBER	TYCO PART NUMBER
Pre-Tin Plate over Nickel Underplate	-	2-1601083-3
Pre-Tin Plate over Nickel Underplate	-	1601083-3
Pre-Silver Plate over Nickel Underplate	031-153-025	4-1601083-2
Pre-Silver Plate over Nickel Underplate	131-154-025	2-1601083-2
Pre-Silver Plate over Nickel Underplate	131-153-025	1601083-2

THIS DRAWING IS A CONTROLLED DOCUMENT.		DWN J.WELLER 11JAN2002	Tyco Electronics Corporation Harrisburg, PA 17105-3608
DIMENSIONS: INCHES		CHK M.FEHER 11JAN2002	
TOLERANCES UNLESS OTHERWISE SPECIFIED:		APVD K.RANDOLPH 11JAN2002	
0 PLC ± -	1 PLC ± -	2 PLC ± .01 [0.25]	NAME STANDARD RANGE WIRE
3 PLC ± .005 [0.13]	4 PLC ± -	ANGLES ± 2°	54 MM CONTACTOR SIAMEZE TERMINAL
MATERIAL H04 FULL HARD	FINISH SEE TABLE	APPLICATION SPEC 108-2085	SIZE A2
CUSTOMER DRAWING		WEIGHT -	CAGE CODE 00779
		SCALE 4:1	DRAWING NO C=1601083
		SHEET 1 OF 1	RESTRICTED TO -