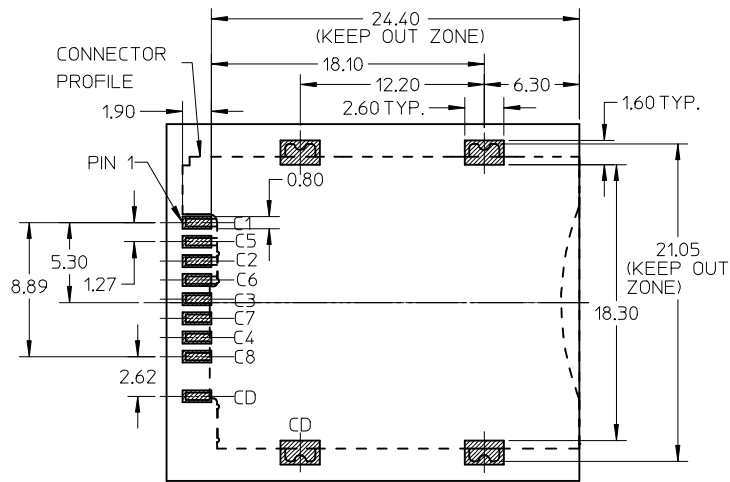
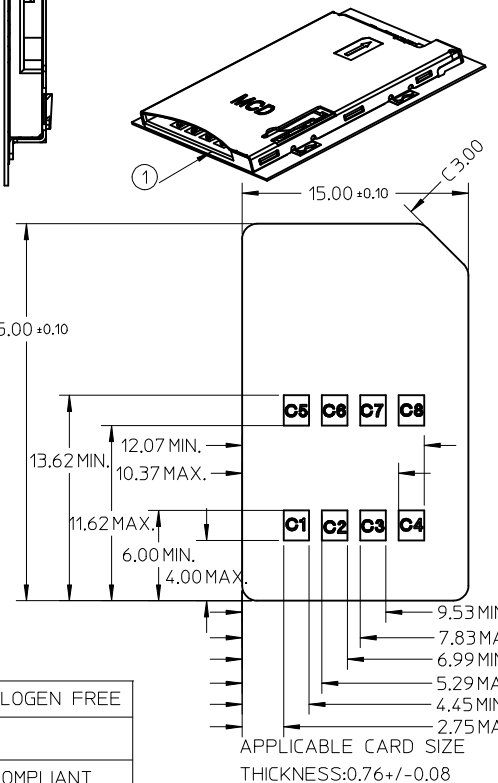
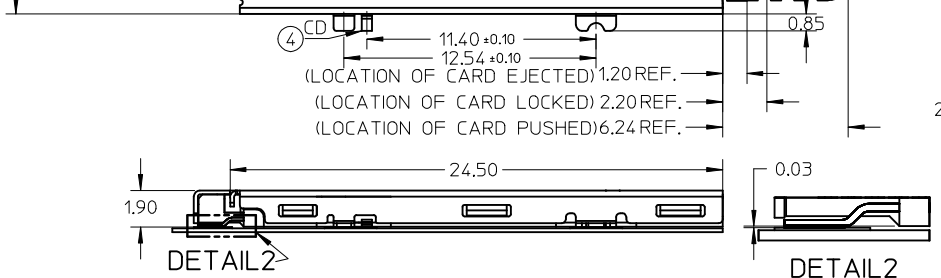


- NOTES:
- 1 FINISH:
 - 1-1 TERMINAL :
 - 50~200μ NICKEL UNDER PLATED
 - 30μ MIN GOLD PLATING ON CONTACT AREA
 - 3μ MIN GOLD FLASH ON SOLDERING AREA
 - 1-2 SHELL :
 - 50~200μ NICKEL UNDER PLATED
 - 3μ MIN GOLD FLASH ON SOLDERING AREA
 - 1-3 DETECT PIN :
 - 50~200μ NICKEL UNDER PLATED
 - 10μ MIN GOLD PLATING ON CONTACT AREA
 - 3μ MIN GOLD FLASH ON SOLDERING AREA
 - 2 SOLDER TAIL COPLANARITY:0.1MM MAX.
 - 3.THIS PART IS LEAD-FREE.
 - 4.DETECT SWITCH: INSERT CARD-OFF (NORMAL-ON)
 - 5.MAXIMAL TOTAL HEIGHT WHEN INSERTING SIM CARD NEED AVOID IN THIS AREA
 - 6.PRODUCT COMPLIANT TO ROHS DIRECTIVE 2002/95/EC AND ELV DIRECTIVE 2000/53/EC



| | |
|--------------|--------------|
| MATERIAL No. | HALOGEN FREE |
| 476030001 | |
| 476031001 | COMPLIANT |

ADD KEEP OUT ZONE
 EC NO: S2013-0786
 DRW:NFC500 2013/05/08
 CHKD:JTAN02 2013/05/16
 APPR:KHLIM 2013/05/22

| | |
|--|-----------------------|
| QUALITY SYMBOLS | ▽=0 |
| | ▽=0 |
| GENERAL TOLERANCES (UNLESS SPECIFIED) | mm INCH |
| | 4 PLACES ± --- ± --- |
| | 3 PLACES ± --- ± --- |
| | 2 PLACES ± 0.15 ± --- |
| | 1 PLACE ± --- ± --- |
| | 0 PLACE ± ± |
| | ANGULAR ± 1/2° |
| DRAFT WHERE APPLICABLE MUST REMAIN WITHIN DIMENSIONS | |

| | |
|-----------------|------------|
| DIMENSION STYLE | |
| MM ONLY | |
| DRAWN BY | DATE |
| LHSHEN | 2007/04/30 |
| CHECKED BY | DATE |
| XUXIANG | 2007/05/22 |
| APPROVED BY | DATE |
| JENNY CHEN | 2007/05/25 |
| MATERIAL NO. | |
| SEE TABLE | |

| NO. | DESCRIPTION | Q'TY | MATERIAL |
|-----|---------------|------|--------------|
| 1 | HOUSING | 1 | LCP |
| 2 | TERMINAL | 8 | COPPER ALLOY |
| 3 | DETECT PIN #1 | 1 | COPPER ALLOY |
| 4 | DETECT PIN #2 | 1 | COPPER ALLOY |
| 5 | SHELL | 1 | SUS |
| 6 | COIL SPRING | 1 | SWP |
| 7 | HEART CAM | 1 | NYLON |
| 8 | CAM PIN | 1 | SUS |

SCALE NTS DESIGN UNITS METRIC THIRD ANGLE PROJECTION

TITLE
PUSH-PUSH 8 PIN SIM WITH DETECT PIN SALES DRAWING

molex

DOCUMENT NO. SD-47603-001 SHEET NO. 1 OF 1