

NOTES:

1. MATERIALS AND FINISHES:

- FERRULE - COPPER, NICKEL PLATING
- HEX NUT - BRASS, NICKEL PLATING
- LOCK WASHER - BRASS, NICKEL PLATING
- CONTACT PIN - PHOSPHOR BRONZE, GOLD PLATING
- GASKET - RUBBER, RED
- BODY - BRASS, NICKEL PLATING
- INSULATOR - PTFE, NATURAL

2. ELECTRICAL:

- A. IMPEDANCE: 50 OHM, NOMINAL
- B. FREQUENCY RANGE: 0-11 GHz
- C. D.W.V: 1500 VRMS, MIN.

3. MECHANICAL:

- A. DURABILITY: 500 CYCLES MIN.
- B. TEMPERATURE RANGE: -65°C TO +165°C

4. CRIMPED FERRULE HEX CRIMP SIZE .213"

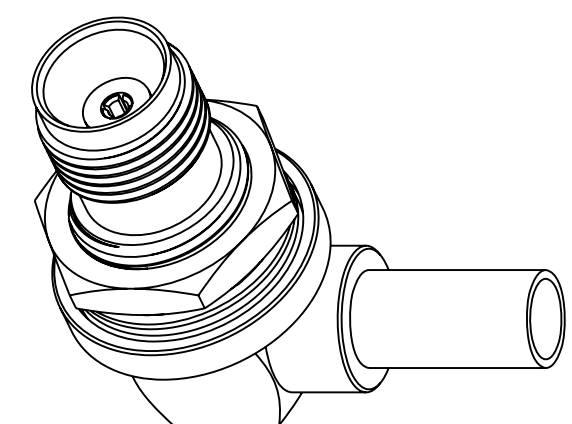
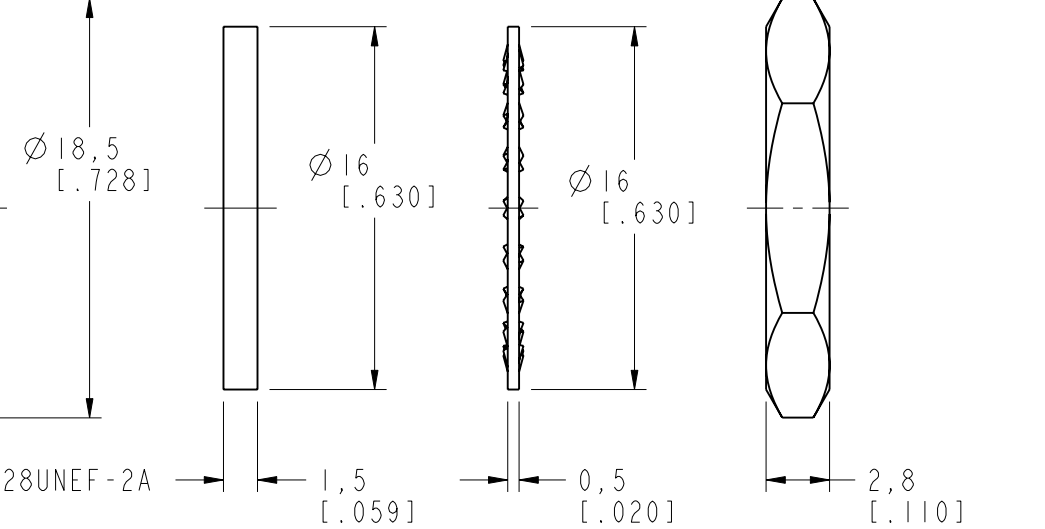
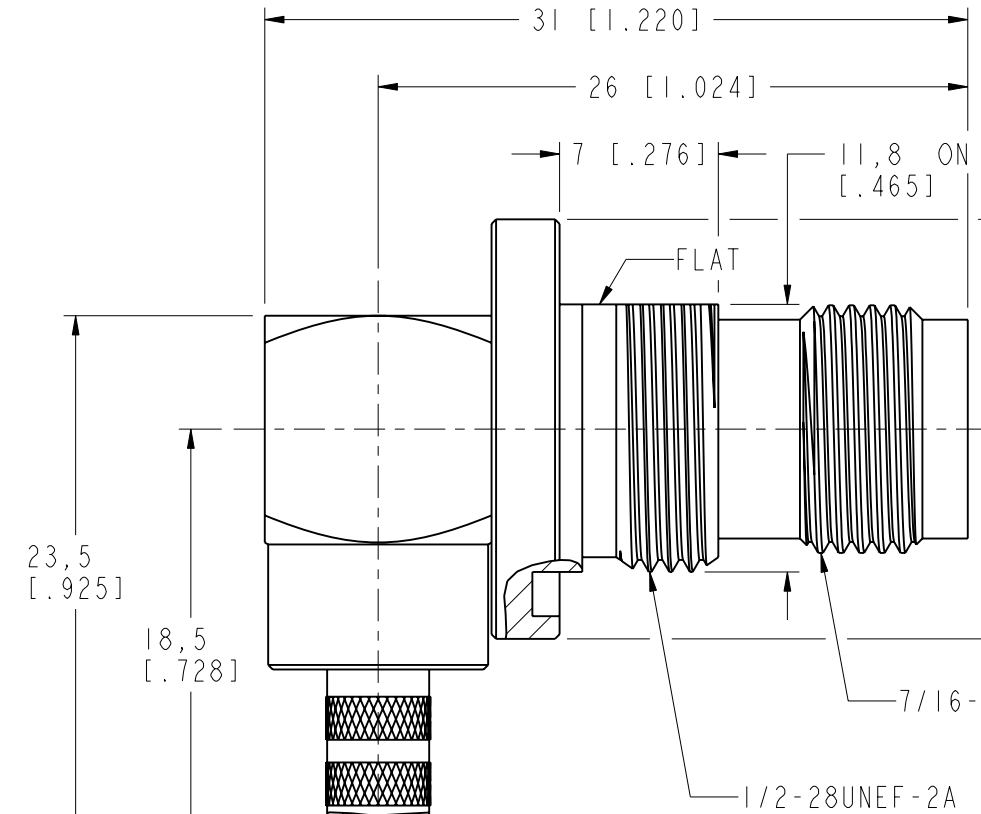
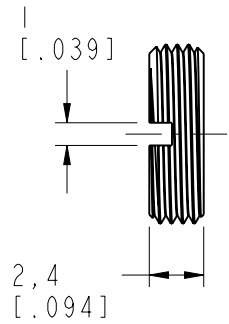
5. CONTACT PIN TO SOLDER

6. MAX. PANEL THICKNESS=3.5mm

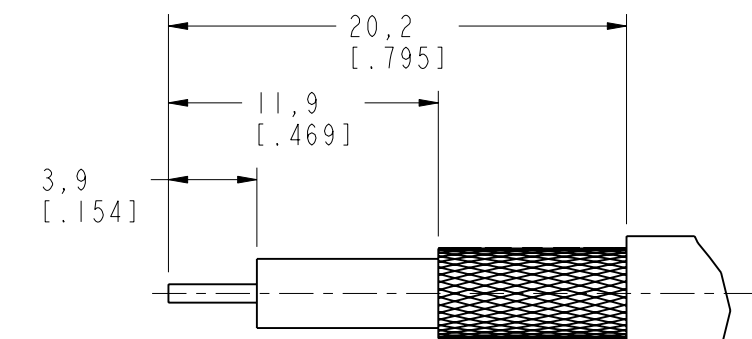
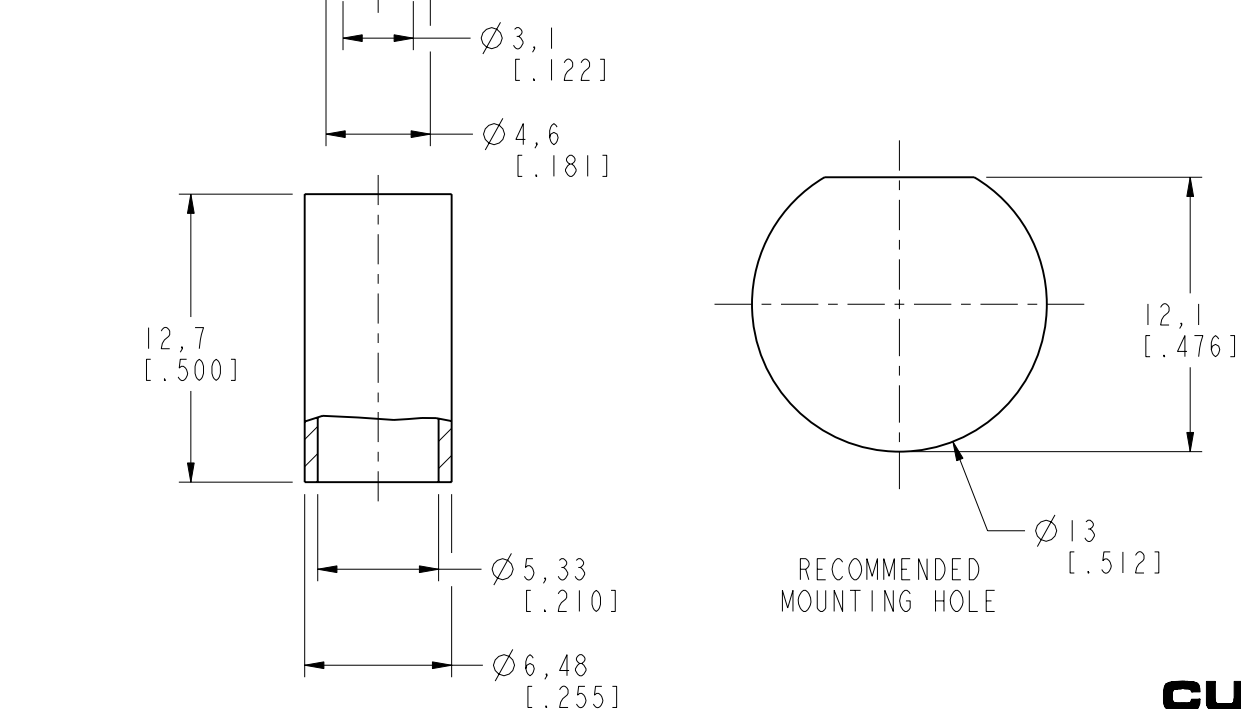
THIRD ANGLE PROJ.

REVISIONS

| REV | DESCRIPTION | DATE | ECO | APPR |
|-----|-----------------------------------|-----------|-------|------|
| A | RELEASE TO MFG. | 31-Aug-04 | ----- | SH |
| B | SYNCH DRAWINGS WITH NORTH AMERICA | 16-Jan-18 | 06522 | SH |



SCALE 2.000



RECOMMENDED CABLE STRIPPING DIM'S

CUSTOMER OUTLINE DRAWING

ALL OTHER SHEETS ARE FOR INTERNAL USE ONLY

| | | | | | |
|---|------------------------------|-----------|----------------|-----------------------|--|
| <p>UNLESS OTHERWISE SPECIFIED, DIMENSIONS ARE IN METRIC AND TOLERANCES ARE: <0.5mm ±0.05mm 0.5 - 6mm ±0.1mm 6 - 30mm ±0.2mm 30 - 120mm ±0.3mm ANGLES ±1°</p> <p>NOTICE - These drawings, specifications, or other data (1) are, and remain the property of Amphenol corp. (2) must be returned upon request; and (3) are confidential and not to be disclosed to any person other than those to whom they are given by Amphenol Corp. the furnishing of these drawings, specifications, or other data by Amphenol Corp., or to any other person to anyone for any purpose is not to be regarded by implication or otherwise in any manner licensing, granting rights to permitting such holder or any other person to manufacture, use or sell any product, process or design, patented or otherwise, that may in any way be related to or disclosed by said drawings, specifications, or other data.</p> | MATERIAL | DRAWN | DATE | TITLE | <p>Amphenol RF</p> <p>www.amphenolrf.com</p> |
| | - | STAR | 16-Jan-18 | | |
| | REFERENCE | ENGINEER | DATE | CRIMP JACK (FOR | |
| | CONFIGURATION LEVEL: In Work | S.HSIEH | 31-Aug-04 | RG-58/U, 58C/U CABLE) | |
| FINISH | APPROVED | DATE | SCALE: 3.0:1.0 | SHEET 2 OF 2 | DRAWING NO. T6412A1-NT3G-58U-50 |
| | S.HSIEH | 16-Jan-18 | DWG SIZE | REV | ITEM NO. 026412AAA58NA5F |
| | | | B | B | PART NO. 122500 |