

THIS IS ISSUED IN STRICT CONFIDENCE THAT IT IS NOT USED AS A BASIS FOR MANUFACTURE OR SALE AND THAT IT IS NOT COPIED, REPRINTED OR DISCLOSED TO A THIRD PARTY EITHER WHOLLY OR IN PART WITHOUT THE PRIOR WRITTEN CONSENT OF CAL TEST ELECTRONICS, INC.

- SAFETY SOCKET w/ \varnothing .080(\varnothing 2.0) SOLDER HOLE.
- SPECIFICATIONS:
INSULATOR: POLYAMIDE
CONTACT: BRASS, NICKEL PLATED
LOCKING NUT: BRASS, NICKEL PLATED
- RATING:
VOLTAGE: 1,000V CATIII P2 (IEC61010-1)
CURRENT: 25A MAX.
RESISTANCE: <5m Ω .
TEMPERATURE: -20° C TO +80° C.
- MOUNTING HOLE: REF. DIAGRAM
- INSULATOR THREAD, M12 X 0.75
- MAXIMUM PANEL THICKNESS: .40 (10.2).

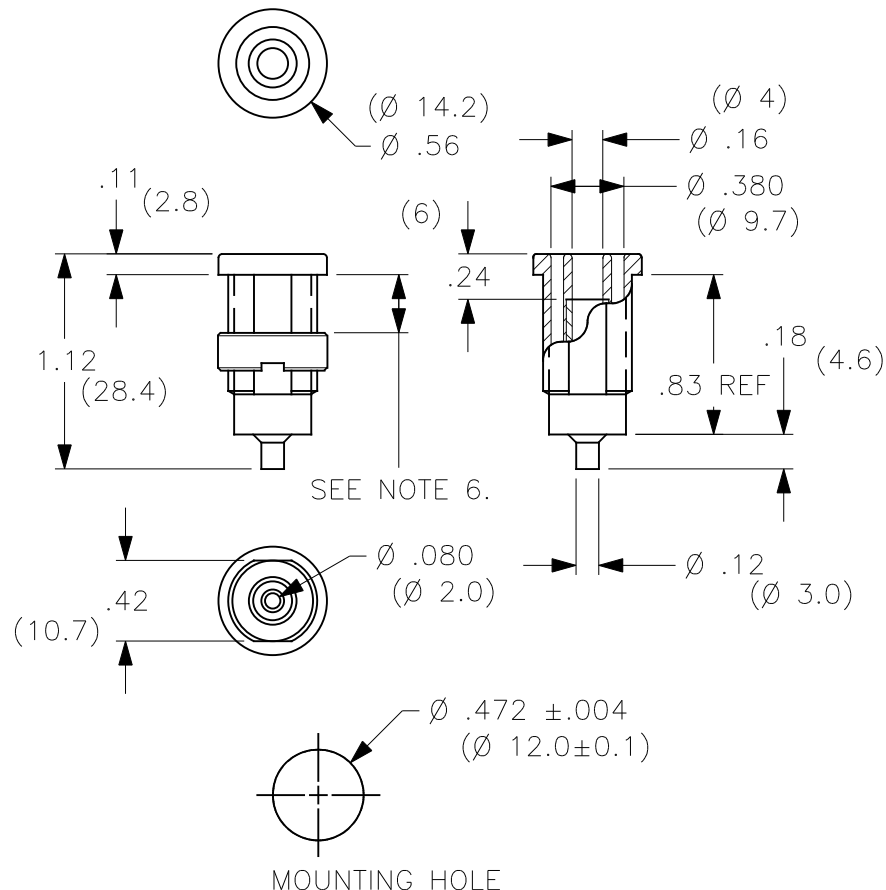
PART NUMBER

CT2240-#

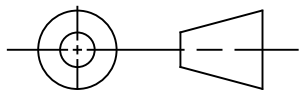
- COLOR:
- 0 - BLACK
 - 1 - BROWN
 - 2 - RED
 - 3 - ORANGE
 - 4 - YELLOW
 - 5 - GREEN
 - 6 - BLUE
 - 7 - PURPLE
 - 8 - GRAY
 - 9 - WHITE

CONFORMITY TO RoHS 2002/95/EC

REVISIONS			
REV.	DESCRIPTIONS	DATE	APPROVED
-	CLASS A RELEASED	7/12/99	
A	REVISED CONFIGURATION & MATL. MOUNTING HOLE. NEW TOOLING.	4/18/04	



THIRD ANGLE PROJECTION



UNLESS OTHERWISE SPECIFIED DIMENSIONS ARE IN INCHES TOLERANCES ARE:
FRACTIONS DECIMALS
 \pm 1/32 .XX \pm .02
.XXX \pm .005
DO NOT SCALE DRAWING

CONTRACT NO.

APPROVALS

DATE

DRAWN WDH

7/12/99

CHECKED

ENGR.

DESIGN ACTIVITY

Cal Test Electronics

22820 Savi Ranch Parkway
Yorba Linda, CA 92887-4610

TITLE

4mm SAFETY SOCKET,
w/ \varnothing .080(\varnothing 2mm) SOLDER HOLE

SIZE
A

CAGE CODE
43F45

DWG. NO.

P224000

REV.
A

SCALE 1:1

SHEET 1 OF 1

NEXT ASSY

USED ON

APPLICATION