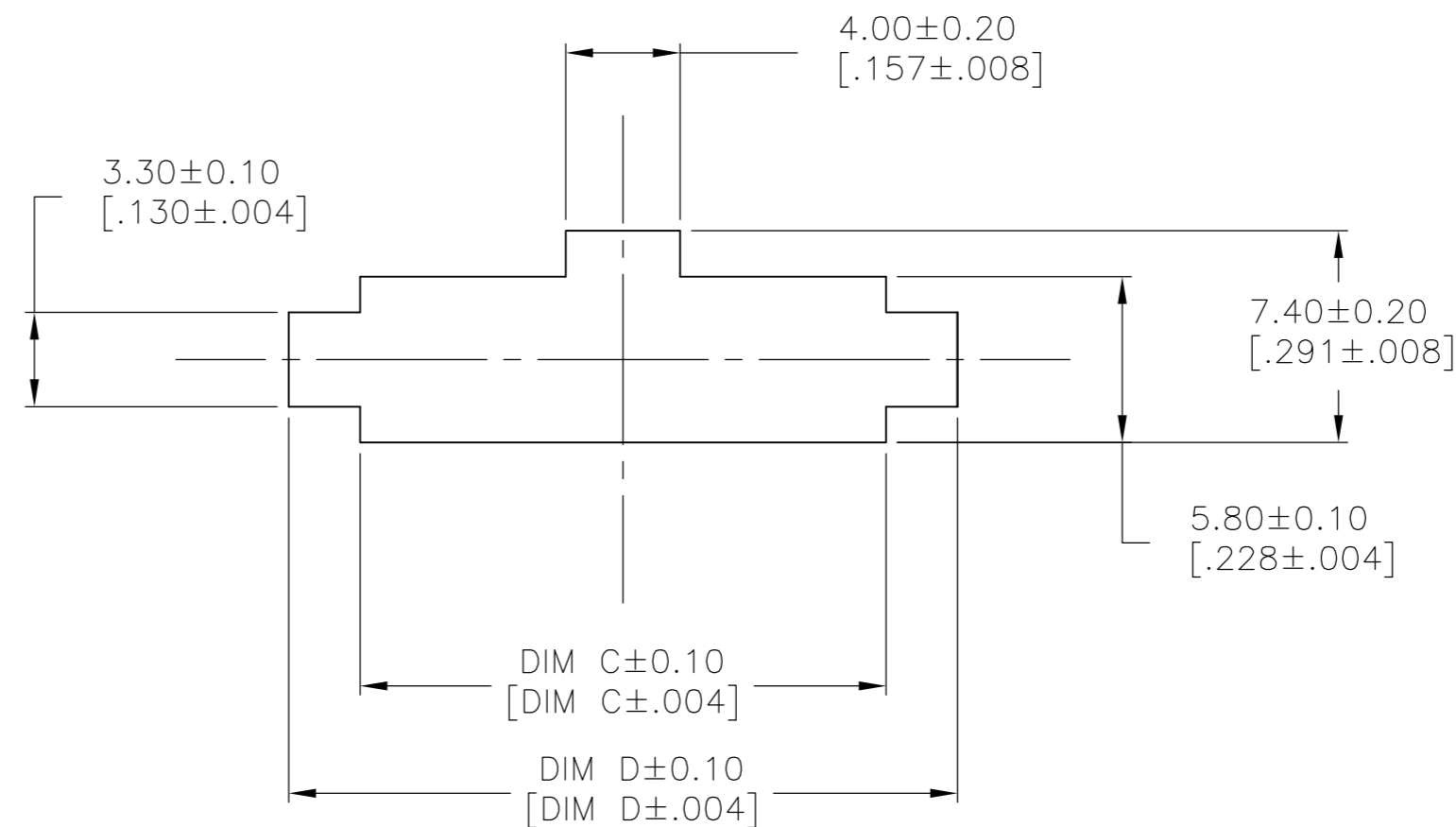
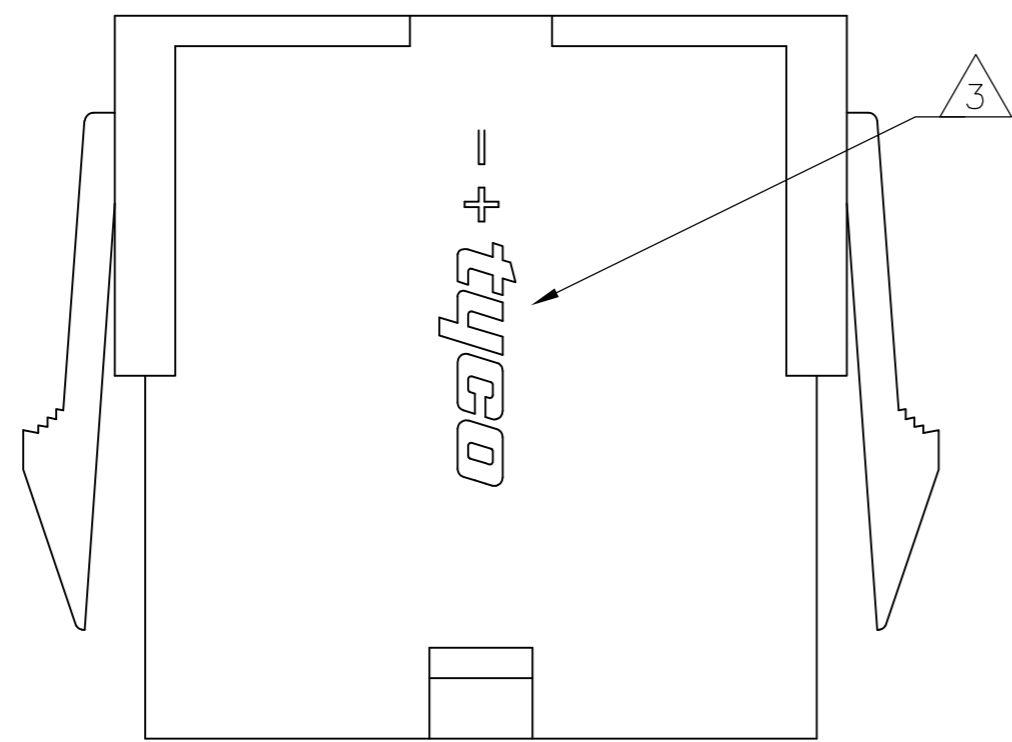
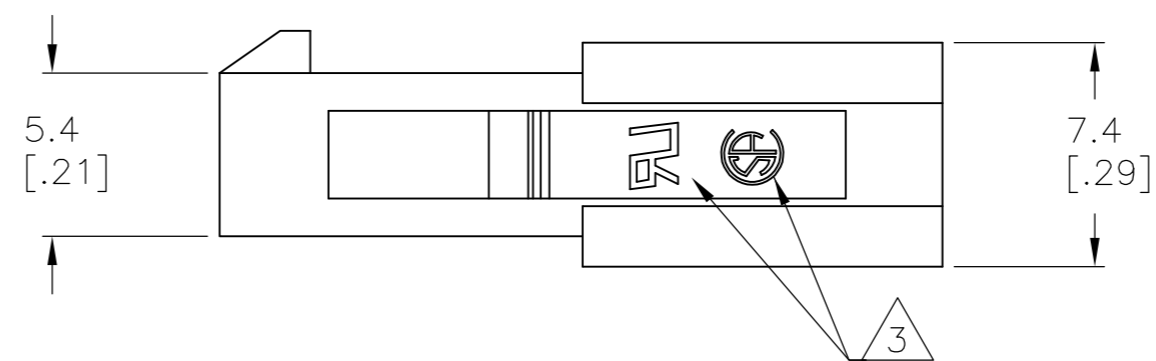
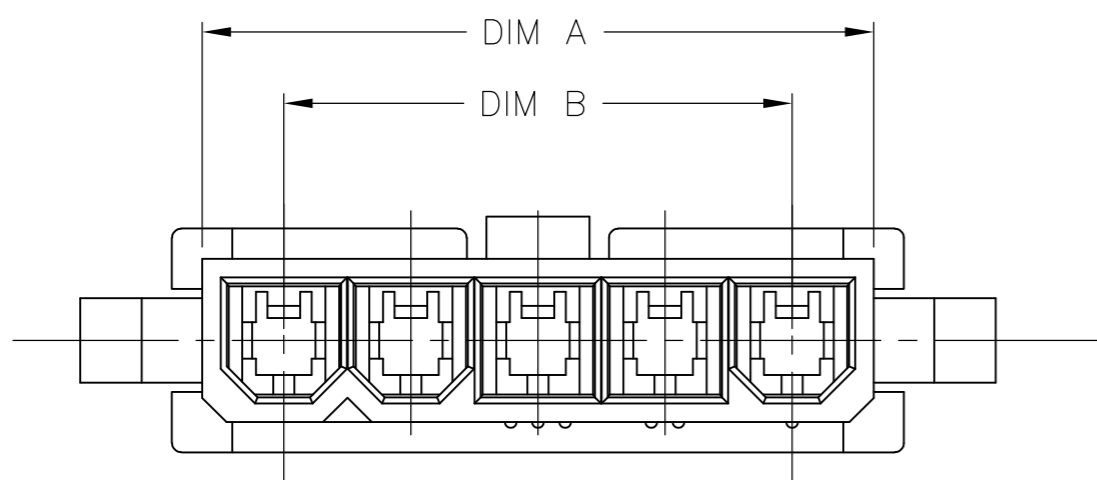


THIS DRAWING IS UNPUBLISHED. RELEASED FOR PUBLICATION
 © COPYRIGHT BY TYCO ELECTRONICS CORPORATION. ALL RIGHTS RESERVED.

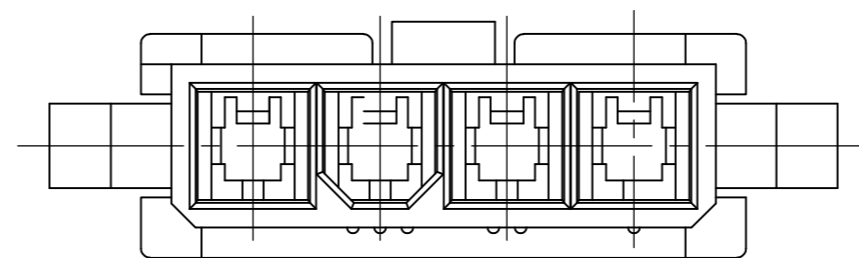
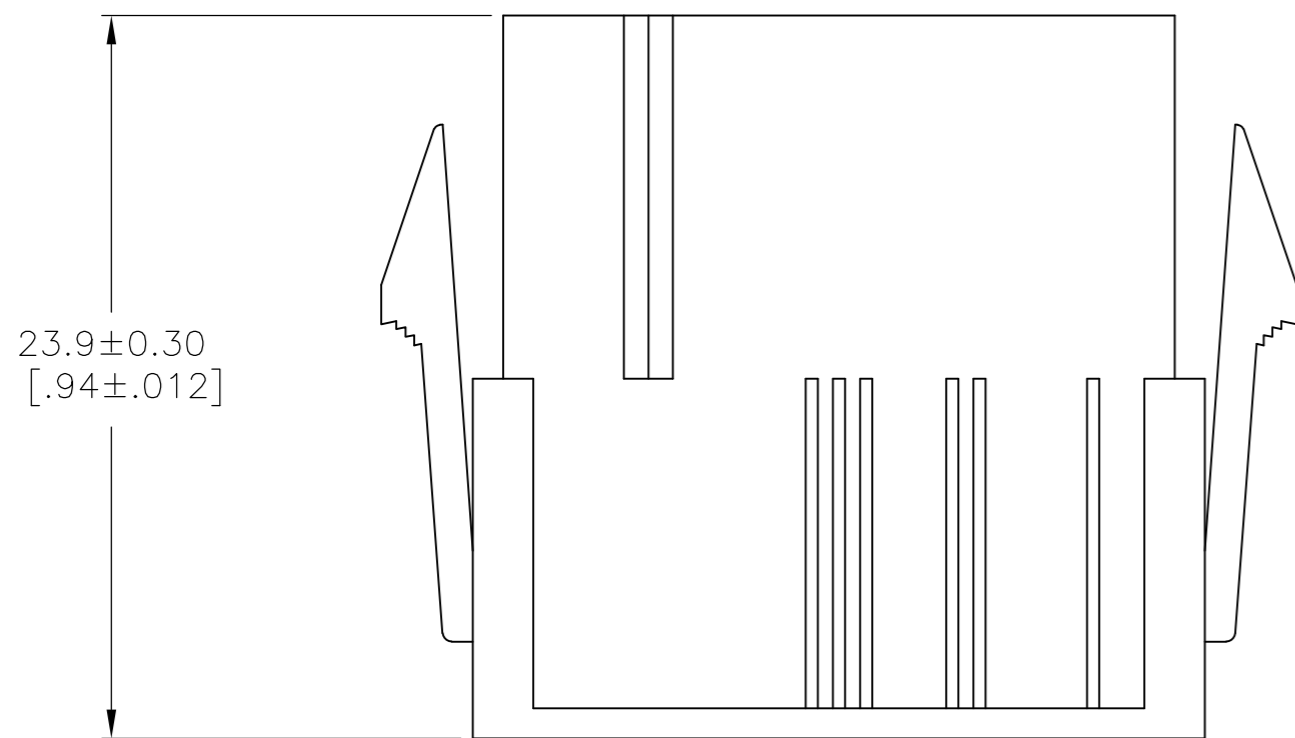
| LOC | | DIST | | REVISIONS | | | |
|-----|-----|-------------|----------|-----------|-----|------|--|
| P | LTR | DESCRIPTION | | DATE | DWN | APVD | |
| CM | 00 | A | WR-08-45 | 23SEP08 | KW | CC | |



RECOMMENDED CUT-OUT FOR 2.00 [.079] MAX THICK PANEL

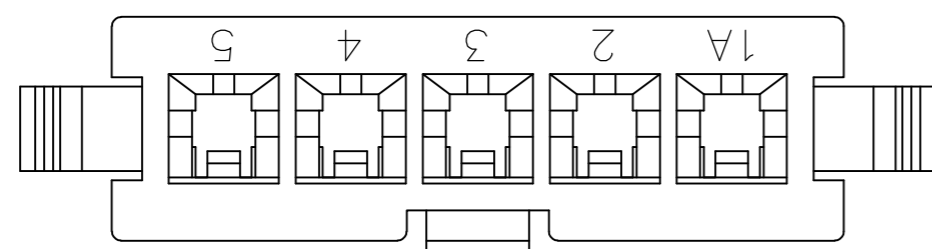


- 1 GLOW WIRE APPROVED, CONTACT TYCO ELECTRONICS ENGINEERING FOR SPECIFICATION.
- 2 PANEL SHOULD BE PUNCHED IN THE DIRECTION OF CONNECTOR INSERTION.
- 3 TE LOGO, UL LOGO, AND CSA LOGO - SIZE, LOCATION, AND ORIENTATION OPTIONAL.



4 POSITION MATING FACE (FOR POLARIZATION IDENTIFICATION)

| | | | | | |
|-------------|------------|------------|------------|-----|-------------|
| 27.6 [1.09] | 22.6 [.89] | 16.8 [.66] | 22.2 [.87] | 5 | 2029177-5 |
| 23.4 [.92] | 18.4 [.72] | 12.6 [.50] | 18.0 [.71] | 4 | 2029177-4 |
| DIM D | DIM C | DIM B | DIM A | POS | PART NUMBER |



METRIC

THIS DRAWING IS A CONTROLLED DOCUMENT.

| | | | |
|----------------------------|---|--|--|
| DIMENSIONS: mm [INCHES] | TOLERANCES UNLESS OTHERWISE SPECIFIED: 0 PLC ± - 1 PLC ± 0.1 [.04] 2 PLC ± - 3 PLC ± - 4 PLC ± - ANGLES ± - FINISH | DWN K. WHITAKER 23SEP2008 CHK C. CASH 23SEP2008 APVD C. CASH 23SEP2008 PRODUCT SPEC APPLICATION SPEC WEIGHT CUSTOMER DRAWING | Tyco Electronics Corporation Harrisburg, PA 17105-3608 NAME PLUG, PANEL MOUNT, SINGLE ROW VAL-U-LOK(TM) SIZE A2 CAGE CODE 00779 DRAWING NO C=2029177 RESTRICTED TO - SCALE 4:1 SHEET 1 of 1 REV A |
|----------------------------|---|--|--|