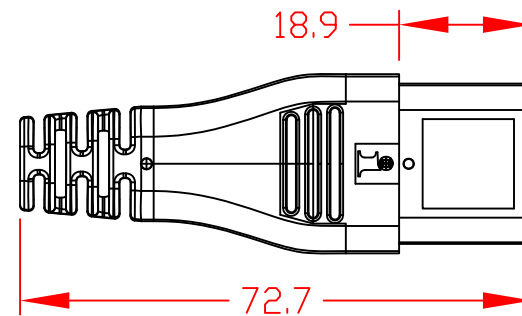
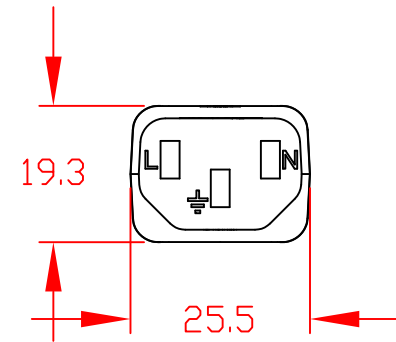
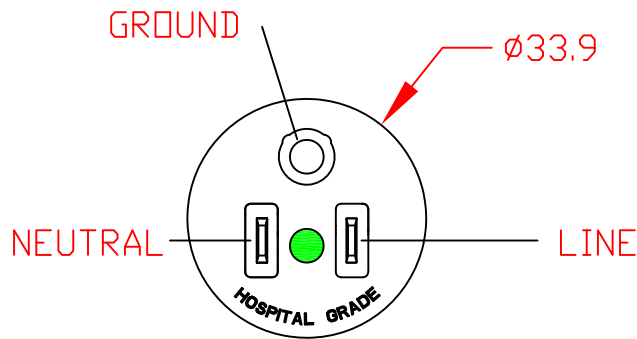
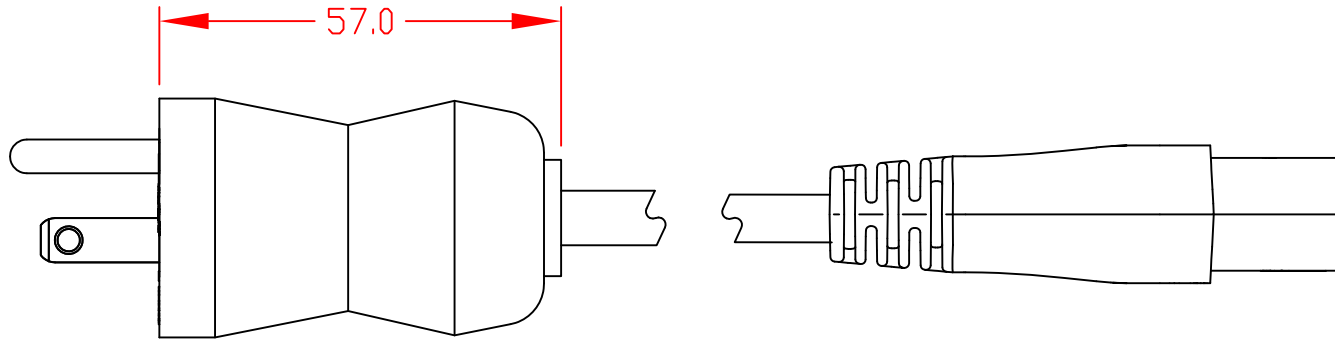


8½" x 11" (print at 1" = 25.4 units)



THIS DOCUMENT AND ITS CONTENTS ARE THE PROPRIETARY CONFIDENTIAL PROPERTY OF INTERPOWER CORPORATION. NO USE OR COPIES MAY BE MADE WITHOUT WRITTEN PERMISSION FROM INTERPOWER CORPORATION.

REV	CHANGE DESCRIPTION	INITIALS	DATE
F	Relocated green dot to new location; removed misc. markings.	DDF	6/14/17
E	Updated plug views, rescaled title block, made dims 1 plc decimal	ATS	06/11/15
D	Updated C13 length dimension from 71.4mm to 72.7mm.	DDF	9/6/13
C	Updated description to say "Hospital Grade".	DDF	3-02-12
B	Replaced L/N blades and ground pin	JPC	5-28-10
A	Replaced 002 C13 with new C13 052	DDF	12/04/07

DIMENSIONS IN MILLIMETERS		TITLE: North American Hospital Grade Cord Set	
DRAFT BY: JPC	DATE: 12-16-02	PART NUMBER:	86610810
DRAFTING APPROVAL: JPC	DATE: 12-16-02	INTERPOWER CORPORATION	
MATERIAL: PVC	DO NOT SCALE	SHEET 1 OF 1	