

PART  
NAME

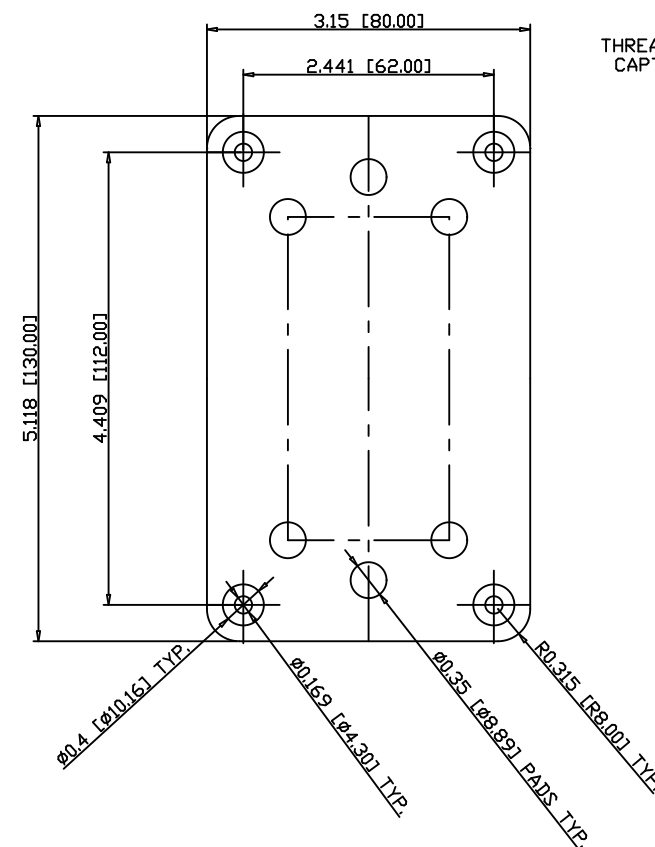
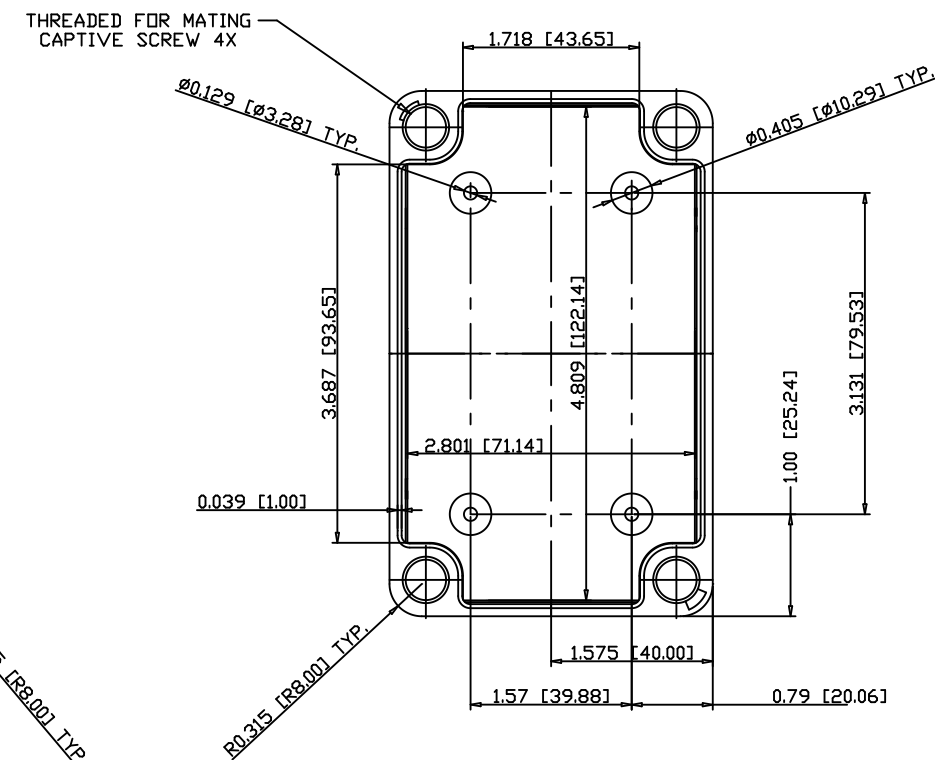
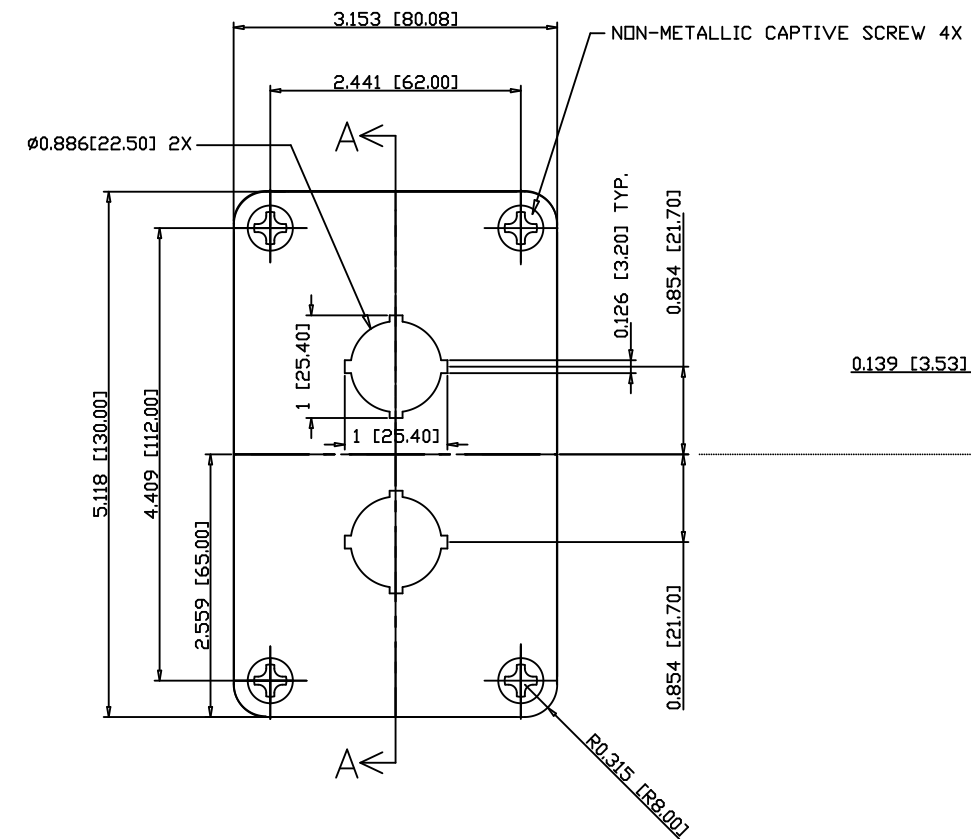
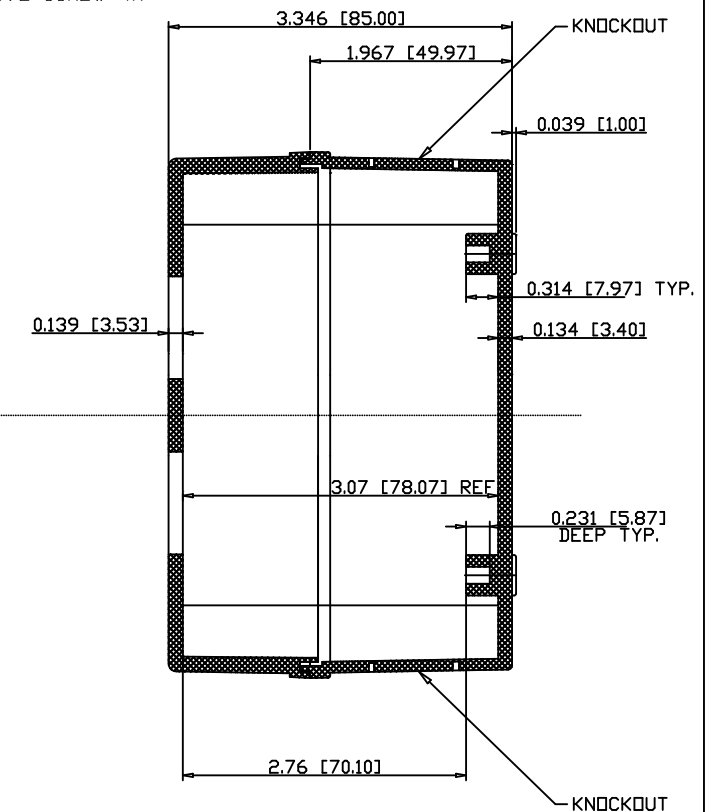
PUSH BUTTON BOX - 2 HOLE (22MM)

PART  
No.

PBB-11817-2

REVISION  
DATE

12-3-15

BOTTOM  
VIEWTOP VIEW WITH  
COVER REMOVEDTOP VIEW  
WITH COVERSECTION  
A-A

## NOTES:

1- MATERIAL: BODY- GRAY POLYCARBONATE, 10% GLASS FIBER FILLED  
COVER - GRAY POLYCARBONATE

2- IP-67 TUV AND UL-94V0 RATING

3- UL508/NEMA TYPE 4X AND TYPE 6 LISTED #E343339

4- CONTINUOUS GASKET IN COVER

5- FOUR NON-METALLIC CAPTIVE SCREWS PROVIDED

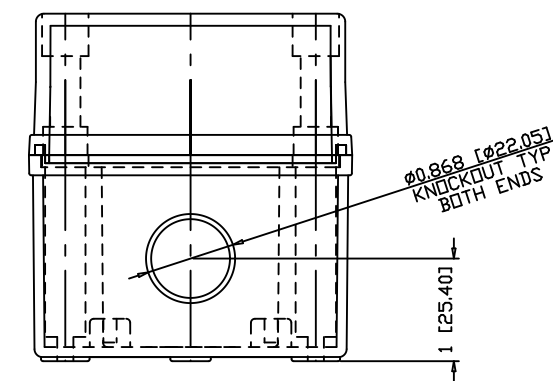
6- ALL OTHER DIMENSIONS HAVE +/- .03[.76] TOLERANCE

7- DIMENSIONS ARE INCH[MM]

## OPTIONAL ACCESSORIES:

MOUNTING BRACKET KIT (STAINLESS STEEL) - #NBX-10922

MOUNTING BRACKET KIT (PLASTIC) - #PIX-4117



FRONT VIEW