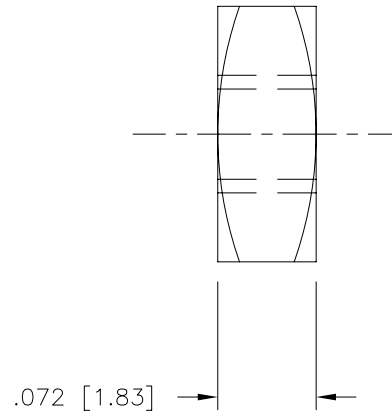
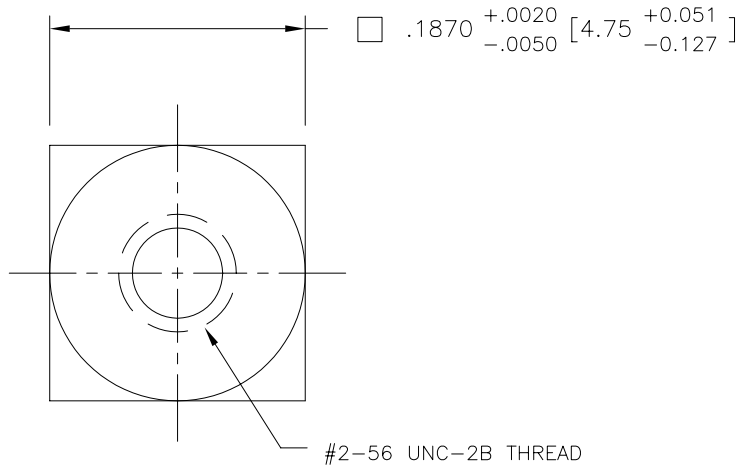


PRODUCT NO.	NOTES
71226-001	-
71226-001LF	NOTE 2



NOTES:

1. MATERIAL: 416 STAINLESS STEEL.
2. THIS PRODUCT MEETS EUROPEAN UNION DIRECTIVES AND OTHER COUNTRY REGULATIONS AS DESCRIBED IN GS-22-008.

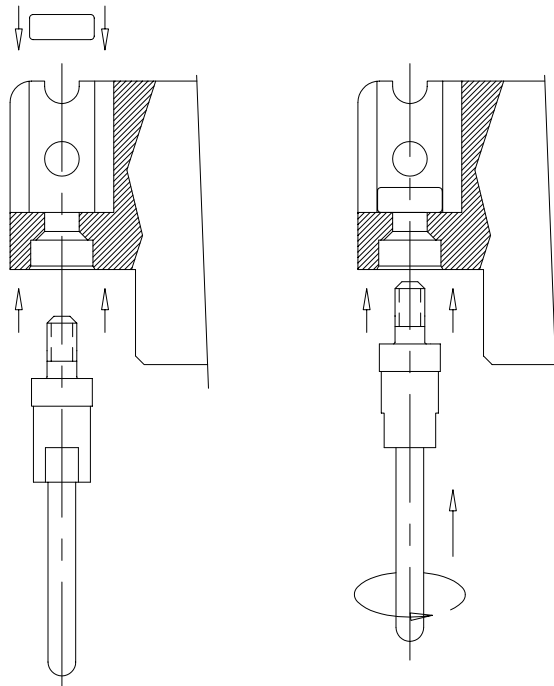
mat'l. code				surface ISO 1302 ✓		tolerance ISO 406 ISO 1101		projection ⊕		product family HPC		
ltr				tolerances unless otherwise specified		INCH/MM		title NUT, SQUARE #2-56				
A	V50947	GAH	8/8/95	angles	.XX±.01/.3							
B	V60758	SAR	6/18/96	linear	.xxx±.005/.13							
C	V00558	LSS	3/3/00	0°±2'	.xxxx±.0020/.051		scale 1:1					
D	V05-0697	DAI	8/18/05	dr	G. HULL	8/8/95	FCJ		dwg no 71226			
E	M06-0265	AGS	7/10/06	enr	D. HORCHLER	7/25/95			sheet 1 of 2 size A3			
				chr	D. HORCHLER	8/9/95			type Product Customer Drawing			
				appd	S. CLARK	8/10/95						
sheet index	revision sheet	E	E									
	1	2										



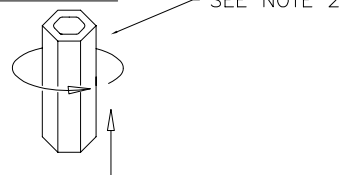
Copyright FCJ

PRODUCT NO.

SEE SHT. 1



UN-ASSEMBLED GUIDE PIN

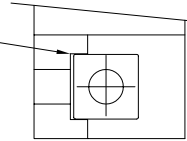


SEE NOTE 2

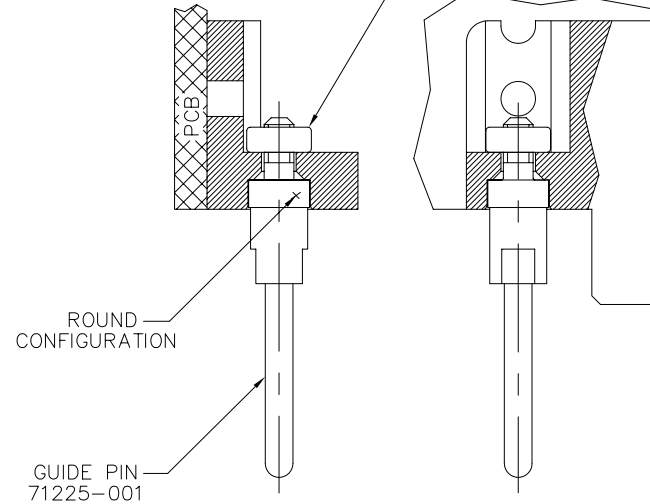
ASSEMBLY NOTE:

AFTER CONNECTOR IS ON PCB,  
INSERT THE SQUARE NUT, AND  
THEN SCREW IN THE GUIDE PIN

SQUARE  
NUT HELD  
FROM  
ROTATING  
BY SLOT



SQUARE NUT  
71226-001



ASSEMBLED GUIDE PIN

NOTE:

- ① MATERIAL: 416 STAINLESS STEEL.
2. RECOMMENDED INSTALLATION TOOL: P/N 166769-001 (FOR USE IN 1/4" HEX DRIVE).
3. DRAWING 71225 IS A RECEPTACLE MOUNTED MALE GUIDE PIN

mat'l. code		surface ISO 1302 ✓		tolerance ISO 406 ISO 1101		projection INCH/MM		product family HPC	
ltr		ecn no		dr		date		title	
E								NUT, SQUARE #2-56	
				tolerances unless otherwise specified		linear		scale 1:1	
				angles		.XX±.01/.3		dwg no	
				0°±2'		.XXX±.005/.13		sheet 2 of 2 size	
						.xxxx±.0020/.051		A3	
				dr		G. HULL 8/8/95		FCJ	
				enrg		D. HORCHLER 7/25/95		type	
				chr		D. HORCHLER 8/9/95		Product Customer Drawing	
				appd		S. CLARK 8/10/95		71226	
sheet index		revision sheet							