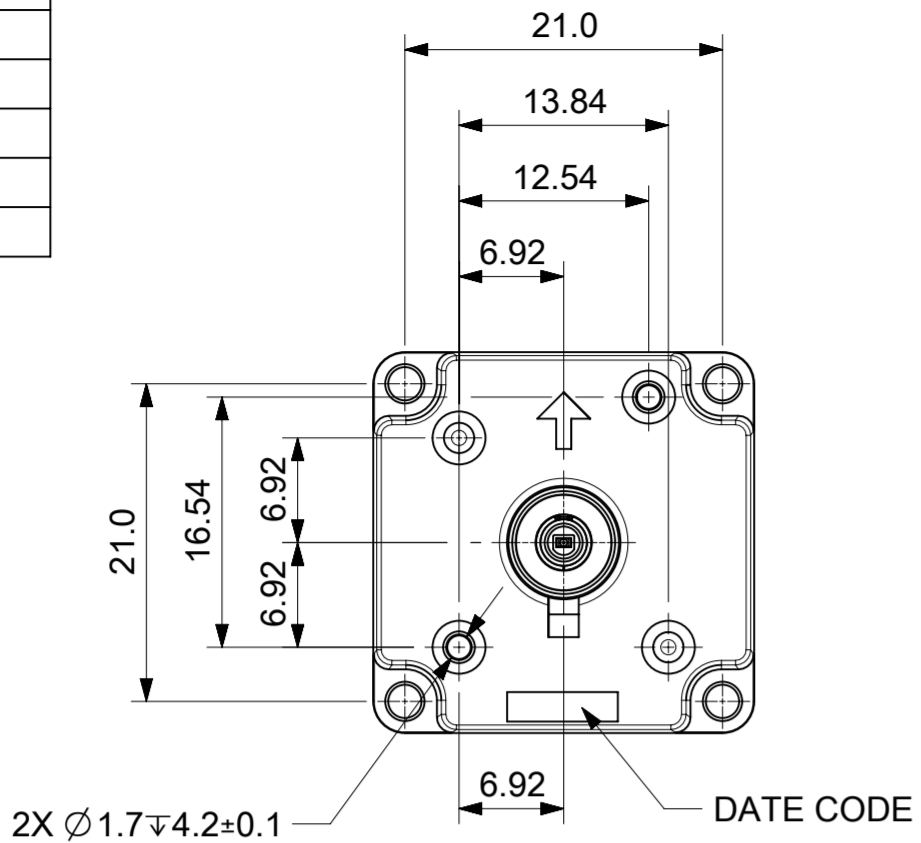


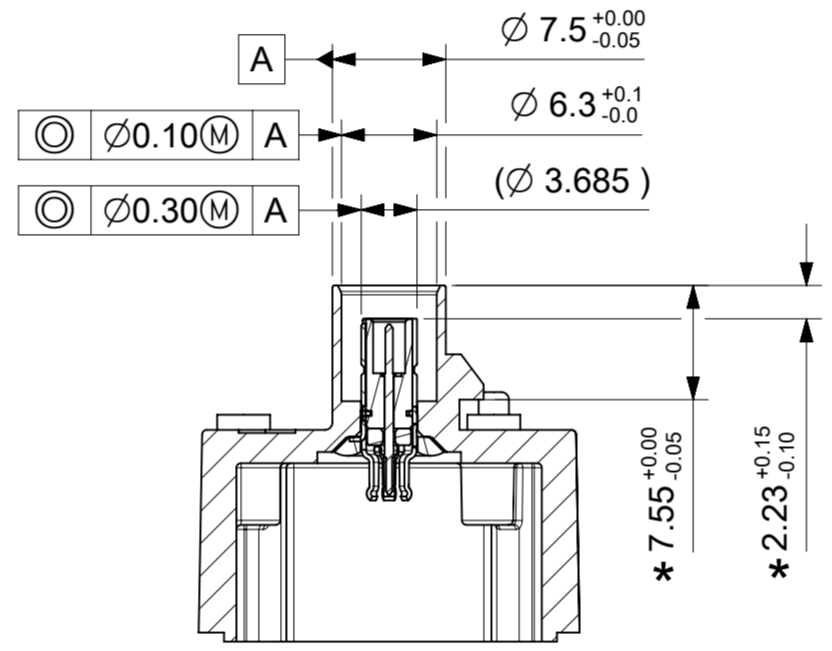
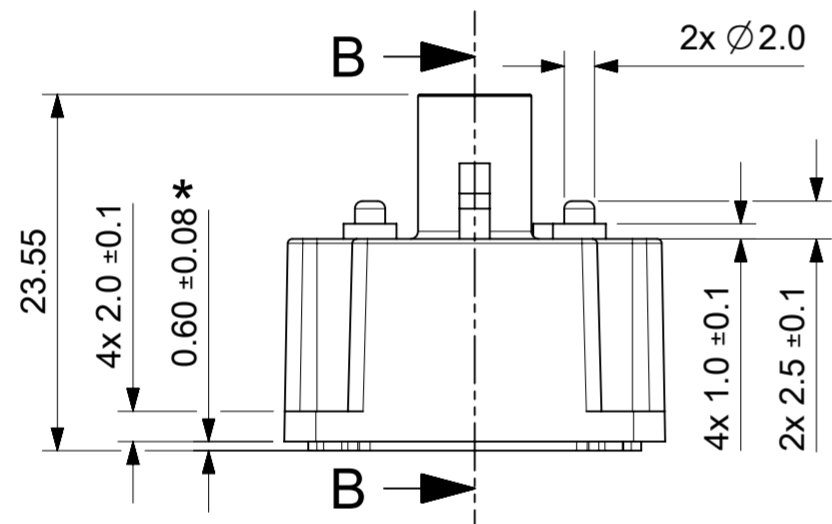
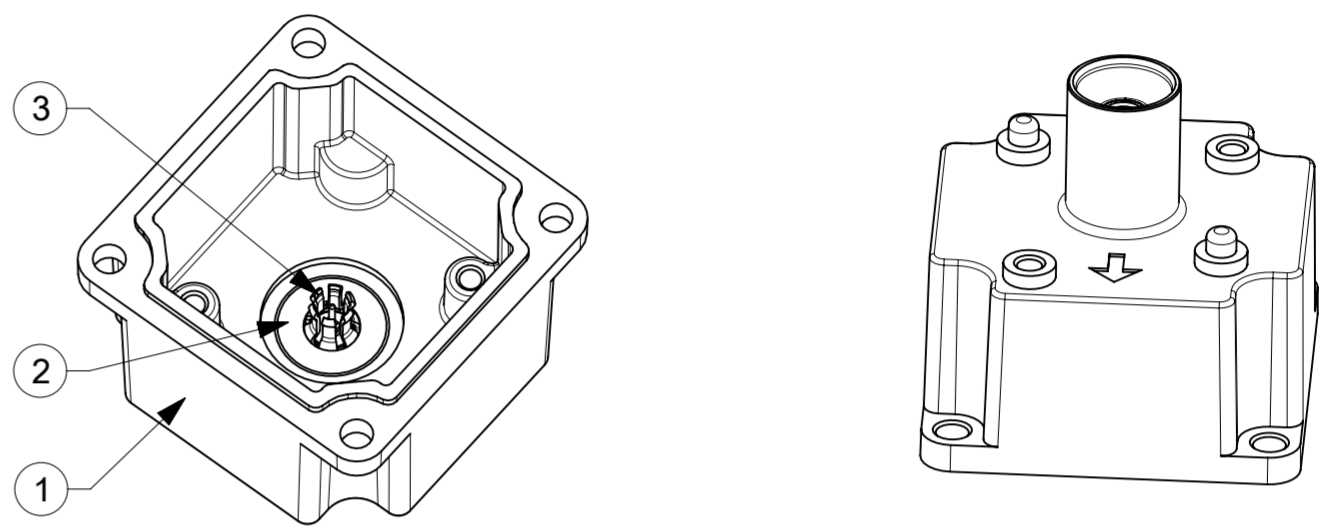
Dim.(mm)	TOLERANCE
0~3	±0.05
3~6	±0.08
6~18	±0.10
18~30	±0.15
30~50	±0.20
ANGLE	1°

REVISION				
EC NO	DATE	REV	DESCRIPTION	CHANGER
NA	2020/08/31	A	INITIAL RELEASE	BERT LIU
CY22-5100	2022/2/17	B	UPDATE DIMS AND CHANGE GLUE PN	Lihua Liu



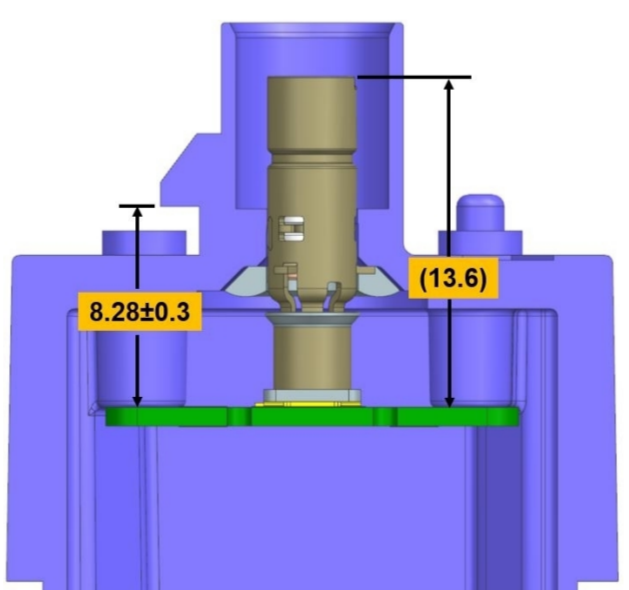
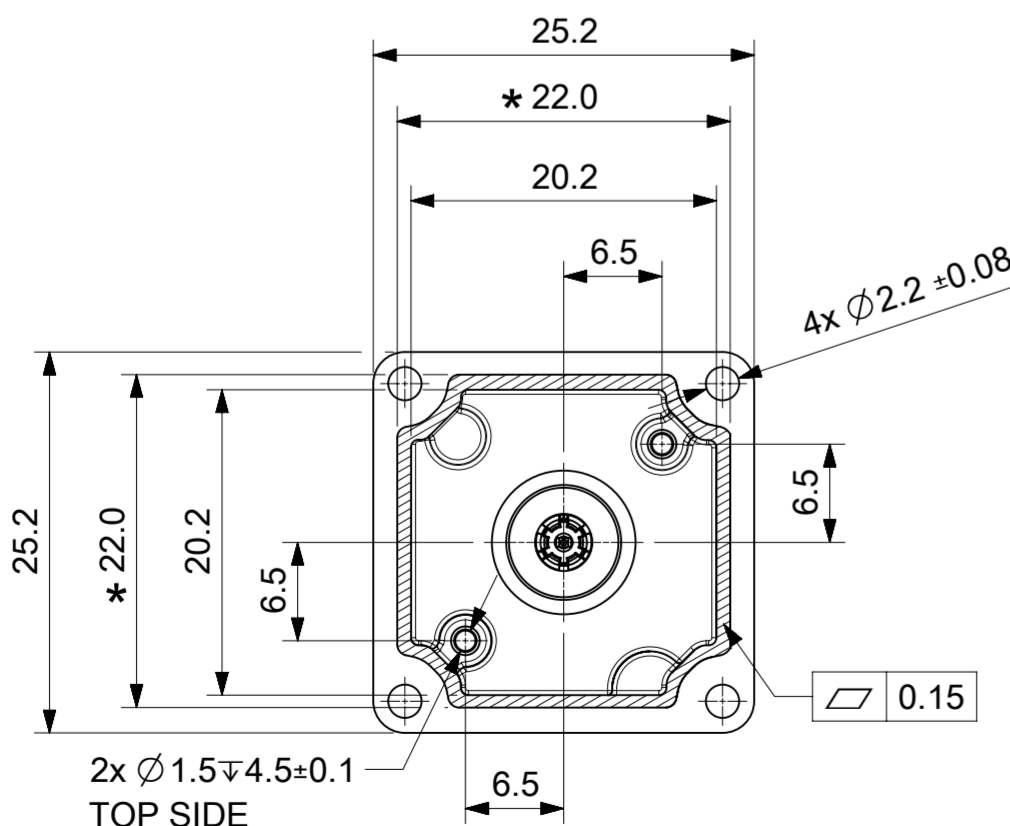
DATE CODE : A200224164530

- SECOND
- MINUTE
- HOUR
- DAY
- MONTH
- YEAR
- AUTO LINE CODE



SECTION B-B

- NOTES (技术要求):
- HSG MATERIAL: BASF PBT+GF30% (B4330G6 HR BK15045).
 - AIR LEAKAGE TEST AT 100±10Kpa, LEAKAGE 0.1SCCM MAX.
 - UNDIMENSIONED REFER TO 3D MODEL.
DIMENSIONS WITHOUT TOLERANCE REFER TO TOLERACE TABLE.
 - NO SINK MARK, WELDING LINE, SHRINKAGE, SCRATCH, CRACK, CONTAMINATION ETC.
 - DRAFT IS LESS THAN 1° , UNDEFINED RADIUS SHALL BE R0.3MM ,
 - PRODUCT MEET IPX7 WITHOUT CABLE MATING.
IPX9K COMPLIANCE MATED WITH WATERPROOF CABLE (IPX9K CABLE).
 - PACKAGING REQUIREMENT REFER TO THE DETAIL PACKAGING DRAWING ;
 - THE MATING JACK PART NUMBER IS 2087941005.
 - PRODUCT SPEC REFER TO PS-68781-001 AND APPLICATION SPEC AS-68781-001.
 - "F_c" SYMBOLS ARE IMPORTANT DIMS, DIMS SHALL MEET CPK MORE THAN 1.67, THE OTHERS SHALL PASS FAI.



ITEM	DESCRIPTION	QTY
3	CAMERA IO BULLET CONN	1 PC
2	EPOXY GLUE	A/R
1	BACK SHELL	1 PC

FUNCTIONAL SYMBOLS	THIS DRAWING CONTAINS INFORMATION THAT IS PROPRIETARY TO MOLEX ELECTRONIC TECHNOLOGIES, LLC AND SHOULD NOT BE USED WITHOUT WRITTEN PERMISSION			
	DIMENSION UNITS	SCALE	CURRENT REV DESC:	
$F_A = 0$	mm	2:1		
$F_C = 0$	GENERAL TOLERANCES (UNLESS SPECIFIED)			
$F_P = 0$	ANGULAR TOL	±	°	
DIVISIONAL SYMBOLS	4 PLACES	±	EC NO: 696245	
	3 PLACES	±	DRWN: BLIU87	2021/03/17
	2 PLACES	±	CHK'D: LHUIU	2022/02/17
	1 PLACE	±	APPR: FCHEN11	2022/02/17
	0 PLACES	±	INITIAL REVISION:	
			DRWN: BLIU87	2019/11/06
		APPR: FNIE	2020/09/01	
DRAFT WHERE APPLICABLE MUST REMAIN WITHIN DIMENSIONS	THIRD ANGLE PROJECTION	DRAWING	SERIES	MATERIAL NUMBER
		A2-SIZE	208324	685920018
		CUSTOMER	SHEET NUMBER	
		GENERAL MARKET CUSTOMERS	1 OF 1	

CAMERA IO REAR HSG ASSY WITHOUT PVD

PRODUCT CUSTOMER DRAWING

DOCUMENT NUMBER: 2083240020 DOC TYPE: PSD DOC PART: 000 REVISION: B