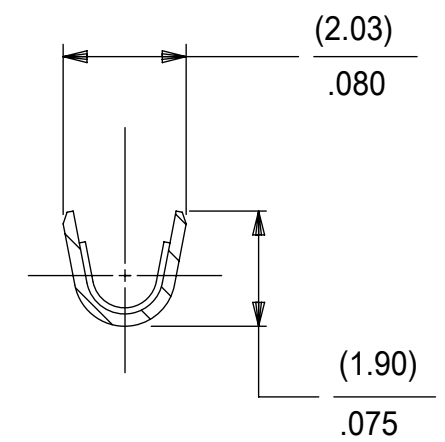
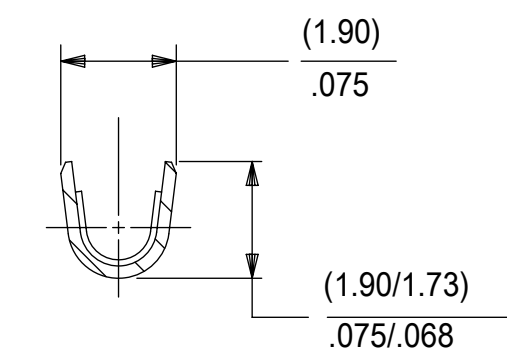
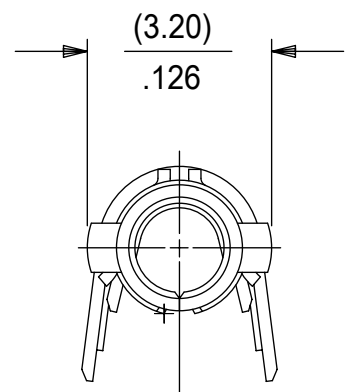
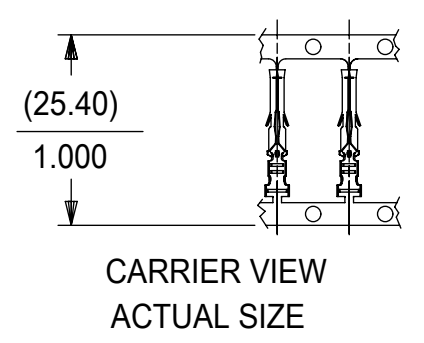


PART NO.	ENG. NO.	PACKAGING
02-06-1131	1855-(P901)	18550000-PK
02-06-1132	1855-(P901)L	PK-1190-003
02-06-5138	1855-(P561)	18550000-PK
02-06-5139	1855-(P561)L	PK-1190-003
02-06-5130	1855-(P550)	18550000-PK
02-06-5135	1855-(P550)L	PK-1190-003
02-06-5147	1855-(P228)	18550000-PK
02-06-5148	1855-(P228)L	PK-1190-003
02-06-1141	1855-1(P901)	18550000-PK
NOT TOOLED	1855-1(P901)L	PK-1190-003
02-06-1143	1855-(P901)1	PK-18550001-PK



LEGEND

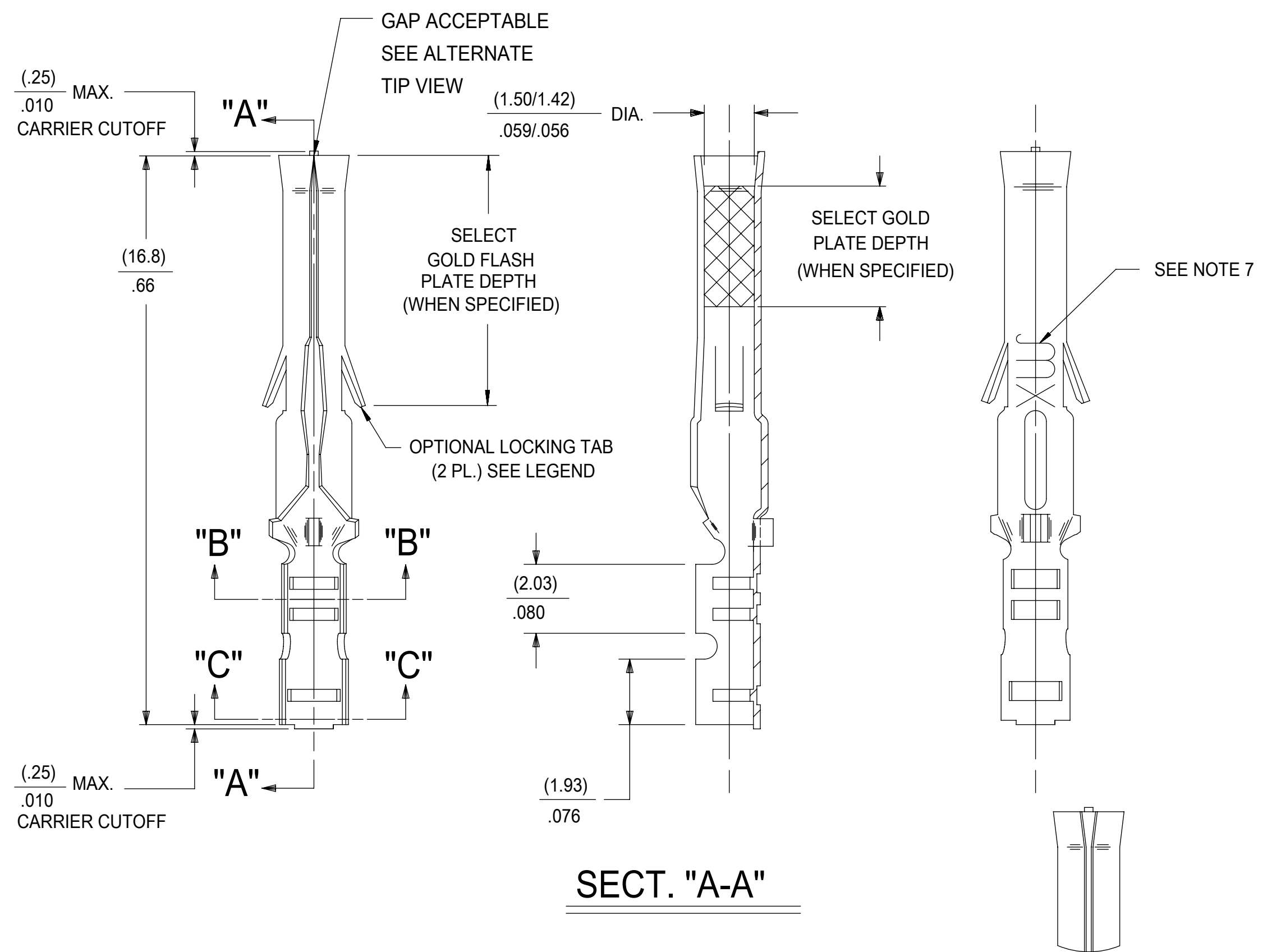
1855-*(****)*

BLANK=WITH LOCKING TABS
1=WITHOUT LOCKING TABS

P=PREPLATE
BLANK=POSTPLATE

FORM
BLANK=CHAIN
1=CHAIN WITH INTERLEAF
PAPER ON REEL.
L=LOOSE
FINISH CODE

- NOTES:
- MATERIAL: BRASS
 - FINISHES:
 - 901 HOT TIN DIP (.00051)/.000020 MIN.
 - 228 SELECT GOLD PLATE (.00075/.000030 MIN. IN CONTACT AREA, SELECT TIN (.00250)/.000100 MIN. IN CRIMP AREA OVER (.00125)/.000050 MIN. NICKEL OVERALL
 - 561 SELECT GOLD PLATE (.00076)/.000030 MIN. IN CONTACT AREA, (.00127)/.000050 MIN. NICKEL OVERALL.
 - 550 SELECT GOLD PLATE (.00038)/.000015 MIN. IN CONTACT AREA, OVER (.00076)/.000030 MIN. NICKEL OVERALL WITH (.00025)/.000010 MAX. GOLD FLASH OVERALL.
 - PRODUCT SPECIFICATION: PS-02-06
 - PACKAGE INFORMATION: SEE CHART
 - TERMINAL FOR USE WITH (1.57)/.062 DIA. SERIES HOUSINGS AND WILL ACCEPT 24 THRU 30 AWG WIRE WITH (1.02/2.29)/.040/.090 INSULATION DIAMETER.
 - PARTS CONFORM TO CLASS B REQUIREMENTS OF COSMETIC SPECIFICATION PS-45499-002.
 - MARKING MAY VARY ON PARTS, CONSULT FACTORY.
 - TIP GEOMETRY IS TOOL DEPENDENT. EITHER GEOMETRY IS ACCEPTABLE.



THIS DRAWING CONTAINS INFORMATION THAT IS PROPRIETARY TO MOLEX ELECTRONIC TECHNOLOGIES, LLC AND SHOULD NOT BE USED WITHOUT WRITTEN PERMISSION									
SYMBOLS		DIMENSION UNITS		SCALE		CURRENT REV DESC: ADD CHAIN PK SPEC			
∇ = 0	MM/IN	NTS		EC NO: 614240 DRWN: JEHRISMAN 2019/03/22 CHK'D: FSMITH 2019/05/10 APPR: FSMITH 2019/05/10 INITIAL REVISION: DRWN: GEP 1987/09/17 APPR: RAS 1987/09/17					
∇ = 0	GENERAL TOLERANCES (UNLESS SPECIFIED)								
∇ = 0		MM	INCH						
∇ = 0	4 PLACES	±	±	PRODUCT CUSTOMER DRAWING DOCUMENT NUMBER: SD-1855-X DOC TYPE: PSD DOC PART: 001 REVISION: AP3					
∇ = 0	3 PLACES	±	± 0.01						
∇ = 0	2 PLACES	± 0.25	± 0.014						
∇ = 0	1 PLACE	± 0.35	±	MATERIAL NUMBER: SEE TABLE CUSTOMER: GENERAL MARKET SHEET NUMBER: 1 OF 1					
∇ = 0	0 PLACES	±	±						
∇ = 0	ANGULAR TOL	± 0.5 °							
∇ = 0	DRAFT WHERE APPLICABLE MUST REMAIN WITHIN DIMENSIONS			THIRD ANGLE PROJECTION		DRAWING	SERIES		
∇ = 0				C-SIZE		1855			