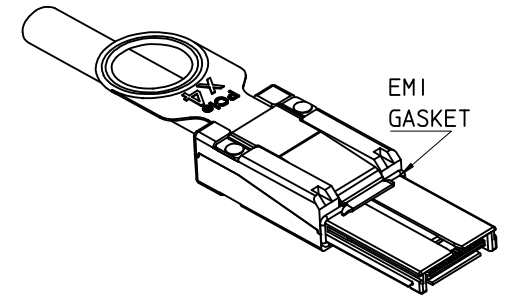


MOLEX P/N	LENGTH	GAGE	TOLERANCE	JACKET RATING
745460400	0.5M	28	0.03M	VW1
745460401	1.0M	28	0.05M	VW1
745460411	1.25M	28	0.05M	VW1
745460402	2.0M	28	0.05M	VW1
745460403	3.0M	28	0.05M	VW1
745460404	4.0M	28	0.10M	VW1
745460405	5.0M	26	0.10M	CL2
745460406	6.0M	26	0.13M	CL2
745460407	7.0M	24	0.13M	CL2
745460408	8.0M Δ	24	0.13M	CL2
745460409	9.0M Δ	24	0.15M	CL2
745460410	10.0M Δ	24	0.15M	CL2
745460415	15.0M Δ	24	0.15M	CL2



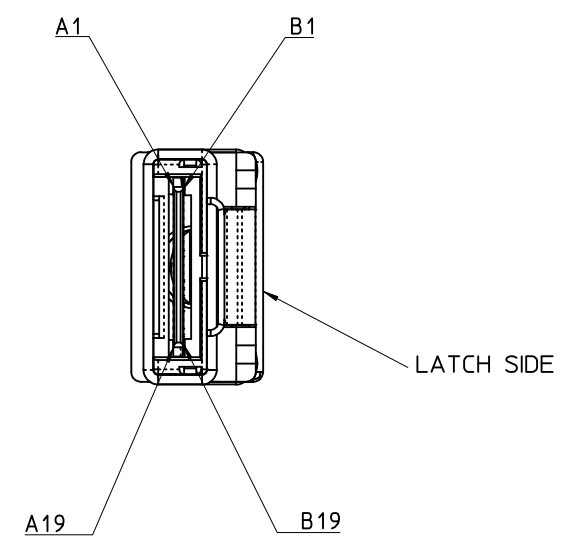
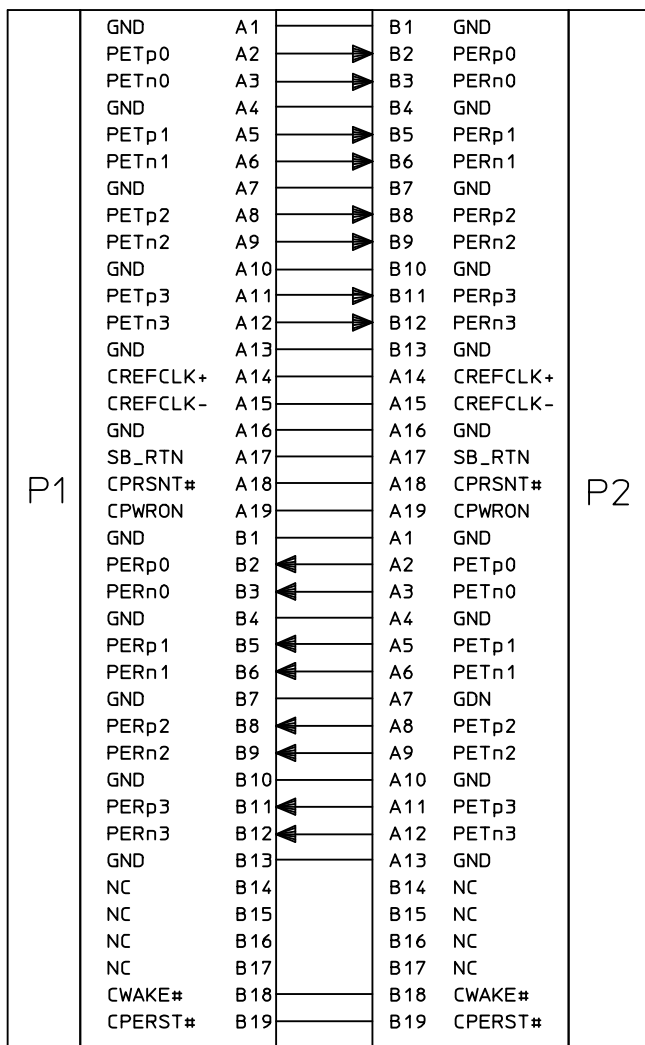
NOTES:

- MATERIAL-
BACKSHELLS - ZINC DIECAST
PULL - NYLON
CABLE JACKET RATING - SEE TABLE
 - LENGTH AND TOLERANCE - SEE TABLE
 - ELECTRICAL PERFORMANCE PER PCI EXPRESS EXTERNAL CABLING SPEC.
 - PLUG MATES TO RECEPTACLE 75586-0010, AND EMI GUIDE HOUSING ASSY.74540-0400
 - THIS PRODUCT MEETS THE RESTRICTION OF HAZARDOUS SUBSTANCES IN ELECTRICAL AND ELECTRONIC EQUIPMENT (RoHS) DIRECTIVE (2002/95/EC).
- Δ . NOT COMPLIANT WITH INSERTION LOSS SPEC. PER. THE PCIe CABLING SPEC.

IPASS™ IS A TRADEMARK OF MOLEX

ADDED P/N EC NO: USY2009-0263 DRWN: JERWIN 2009/01/08 CHKD: BSCHOSTER 2009/01/08 APPR: DDOYE 2009/01/12 REV	QUALITY SYMBOLS	GENERAL TOLERANCES (UNLESS SPECIFIED)	DIMENSION STYLE	SCALE	DESIGN UNITS	THIRD ANGLE PROJECTION
	$\nabla=0$ $\nabla=0$	mm INCH 4 PLACES ± --- ± --- 3 PLACES ± --- ± --- 2 PLACES ± 0.13 ± --- 1 PLACE ± 0.25 ± --- ANGULAR ± 1/2°	MM ONLY	1:1	METRIC	TITLE I-PASS X4 CABLE ASSEMBLY GEN 1
			DRAWN BY DATE BREED 2005/02/02	MOLEX INCORPORATED		
			CHECKED BY DATE DDOYE 2005/02/02	APPROVED BY DATE DDOYE 2005/02/02	DOCUMENT NO. SD-74546-400	SHEET NO. 1 OF 3
DRAFT WHERE APPLICABLE MUST REMAIN WITHIN DIMENSIONS		MATERIAL NO. SEE TABLE	THIS DRAWING CONTAINS INFORMATION THAT IS PROPRIETARY TO MOLEX INCORPORATED AND SHOULD NOT BE USED WITHOUT WRITTEN PERMISSION			

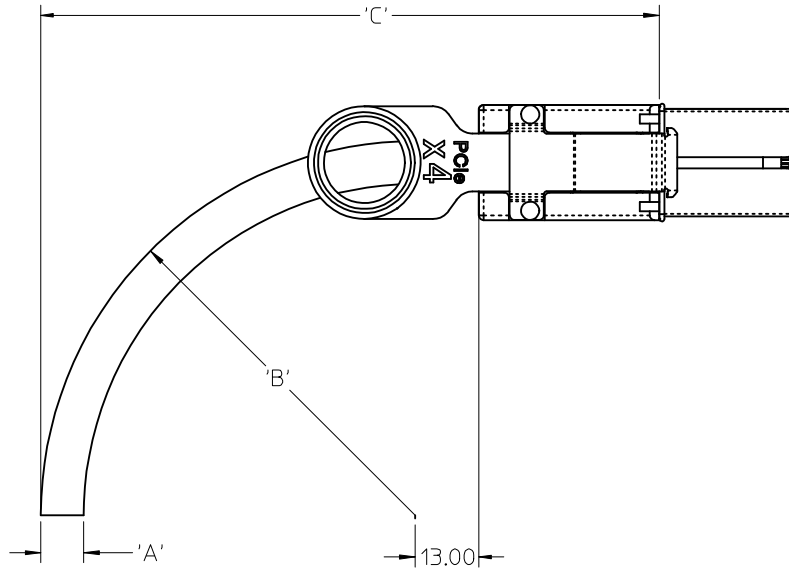
10 9 8 7 6 5 4 3 2 1



IPASS™ IS A TRADEMARK OF MOLEX

ADDED P/N EC NO: USY2009-0263 DRAWN: JERMIN 2009/01/08 CHKD: HSCHOESTER 2009/01/08 APPR: DDOYE 2009/01/12	REV DESCRIPTION	QUALITY SYMBOLS ▽=0 ▽=0	GENERAL TOLERANCES (UNLESS SPECIFIED) mm INCH 4 PLACES ± --- ± --- 3 PLACES ± --- ± --- 2 PLACES ± 0.13 ± --- 1 PLACE ± 0.25 ± --- ANGULAR ± 1/2°	DIMENSION STYLE MM ONLY DRAWN BY DATE BREED 2005/02/02 CHECKED BY DATE DDOYE 2005/02/02 APPROVED BY DATE DDOYE 2005/02/02	SCALE 1:1 DESIGN UNITS METRIC THIRD ANGLE PROJECTION	TITLE I-PASS X4 CABLE ASSEMBLY GEN 1
		DRAFT WHERE APPLICABLE MUST REMAIN WITHIN DIMENSIONS	MATERIAL NO. SEE TABLE	DOCUMENT NO. SD-74546-400	SHEET NO. 2 OF 3	
		THIS DRAWING CONTAINS INFORMATION THAT IS PROPRIETARY TO MOLEX INCORPORATED AND SHOULD NOT BE USED WITHOUT WRITTEN PERMISSION				
		MOLEX INCORPORATED				

9 8 7 6 5 4 3 2 1



CABLE GAUGE	24	26	28
A CABLE DIAMETER	10.54	9.53	8.75
B MINIMUM OUTER RADIUS	42.00	38.00	35.00
C FACEPLATE TO OUTER RADIUS	91.86	87.86	84.86

IPASS™ IS A TRADEMARK OF MOLEX

ADDED P/N EC NO: USY2009-0263 DRWN: JERWIN 2009/01/08 CHKD: BSCHOESTER 2009/01/08 APPR: DDOYE 2009/01/12	QUALITY SYMBOLS ▽=0 ▽=0	GENERAL TOLERANCES (UNLESS SPECIFIED) mm INCH 4 PLACES ± --- ± --- 3 PLACES ± --- ± --- 2 PLACES ± 0.13 ± --- 1 PLACE ± 0.25 ± --- ANGULAR ± 1/2°	DIMENSION STYLE MM ONLY DRAWN BY BREED DATE 2005/02/02 CHECKED BY DDOYE DATE 2005/02/02 APPROVED BY DDOYE DATE 2005/02/02	SCALE 1:1 DESIGN UNITS METRIC THIRD ANGLE PROJECTION	TITLE I-PASS X4 CABLE ASSEMBLY GEN 1
	DRAFT WHERE APPLICABLE MUST REMAIN WITHIN DIMENSIONS		MATERIAL NO. SEE TABLE	DOCUMENT NO. SD-74546-400	SHEET NO. 3 OF 3
	THIS DRAWING CONTAINS INFORMATION THAT IS PROPRIETARY TO MOLEX INCORPORATED AND SHOULD NOT BE USED WITHOUT WRITTEN PERMISSION				
	MOLEX INCORPORATED				