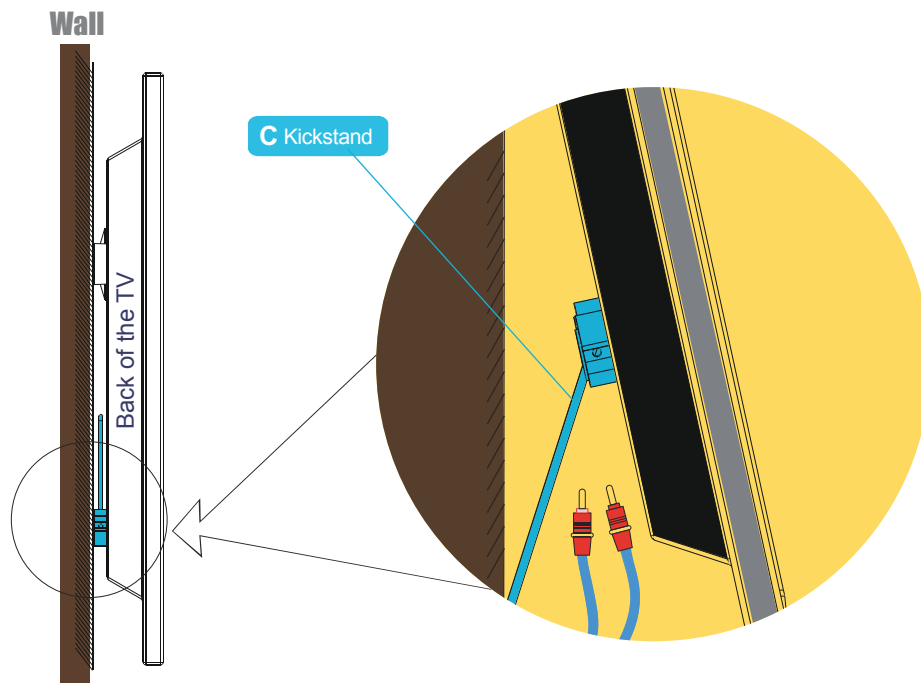


4 Cable Management



Fold out the kickstands to access the cables behind the TV. Once all cables are installed, unfold the kickstands.

Maintenance

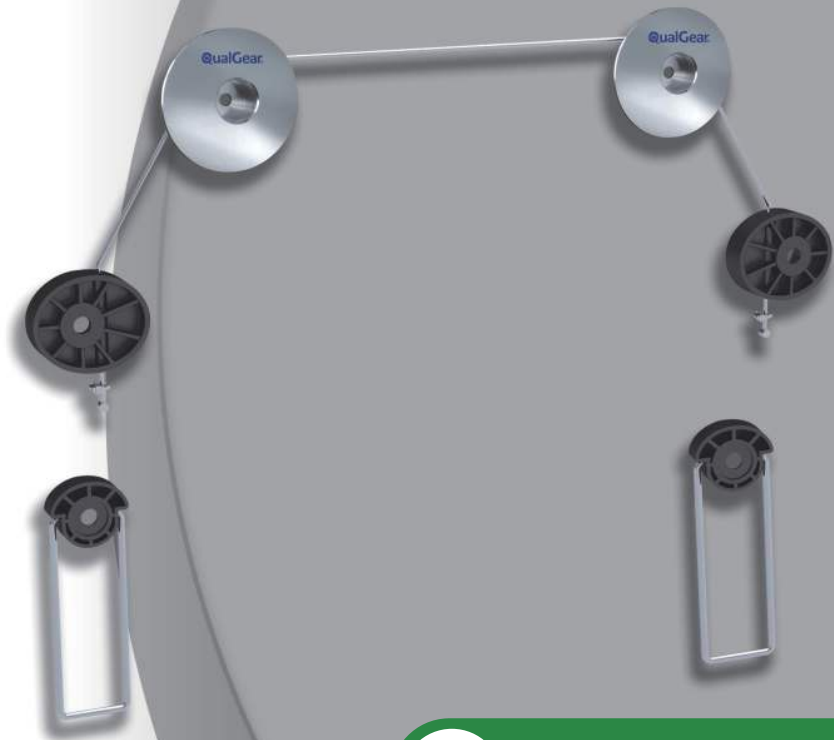
Please check that the TV Wall Mount is secure and safe to use at regular intervals. If you have any questions regarding any of the instructions or warnings, please contact your local distributor (OR) contact QualGear technical support via email at support@qualgear.com.

QualGear®

INSTALLATION MANUAL

QG-TM-001

FIXED WIRE TV WALL MOUNT



70"
MAX

For Most 37" to 70" Flat Screen TVs and Monitors.

50kg
(110lbs)
RATED

CAUTION!
Do not exceed the maximum rated weight specified. Otherwise, serious injury or property damage may occur.



VESA for Brick & Wooden Walls

B 100x100 | 200x200 | 400x400 | 600x600 | 800x800
W 400x400 | 600x600 | 800x800



www.qualgear.com

■ 1 Year Limited Warranty

■ Version January 2016

NOTE Please read the entire installation manual before you start installation and assembly.

WARNING

- Do not begin to install your QualGear product until you have read and understood all the instructions and warnings contained in this installation manual. If you have any questions regarding the instructions, for US customers please contact QualGear customer support via email at support@qualgear.com. For all international customers, please contact your local distributor.
- This product should only be installed by someone of good mechanical aptitude, has experience with basic building construction, and fully understands these instructions.
- This product was designed to be installed and utilized only as specified in this manual. Improper installation of this product may cause damage or serious injury. QualGear is not liable for the improper use or installation of its products.
- Make sure that the supporting surface will safely support the combined load of the equipment and all attached hardware and components.
- Always use an assistant or mechanical lifting equipment to safely lift and position the equipment.
- Tighten screws firmly, but do not over tighten. Over tightening can damage the items, greatly reducing their holding power.
- ALL QUALGEAR products are intended for indoor use only and any outdoor use voids the limited warranty.
- ALL QUALGEAR products are designed and tested for residential use only and any commercial use voids the limited warranty. For warranty information, please visit <http://www.qualgear.com/warranty.php>.
- If mounting to wooden studs, make sure that mounting screws are anchored into the center of the studs. Use of an edge-to-edge stud finder is highly recommended.
- Never exceed the maximum rated weight specified in this manual.
- All bolts and screws must be used at the designated points in the installation instructions to prevent property damage and/or personal injury.
- DO NOT install near air conditioner vents or where there is excessive dust or smoke.
- When drilling holes in the wall, it is very important to take care of electrical cables, water, or gas pipes in the wall.

This product was designed to be installed on the following wall construction only:

WALL CONSTRUCTION

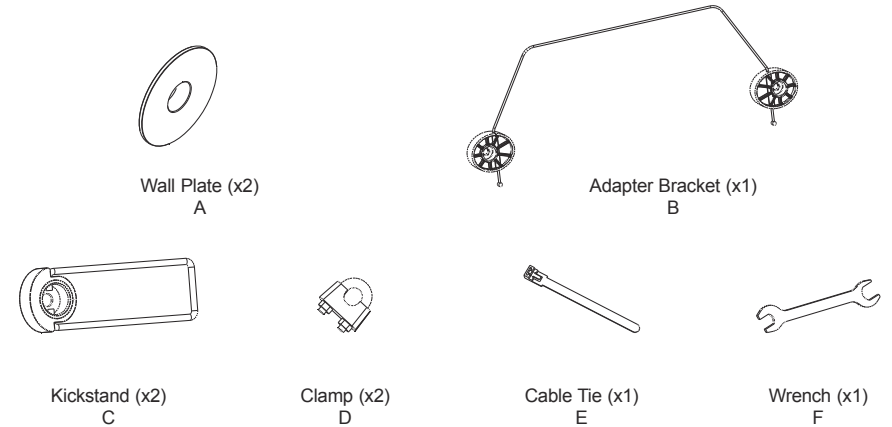
Wooden Stud
Wooden Beam
Solid Concrete
Brick
Other

HARDWARE REQUIRED

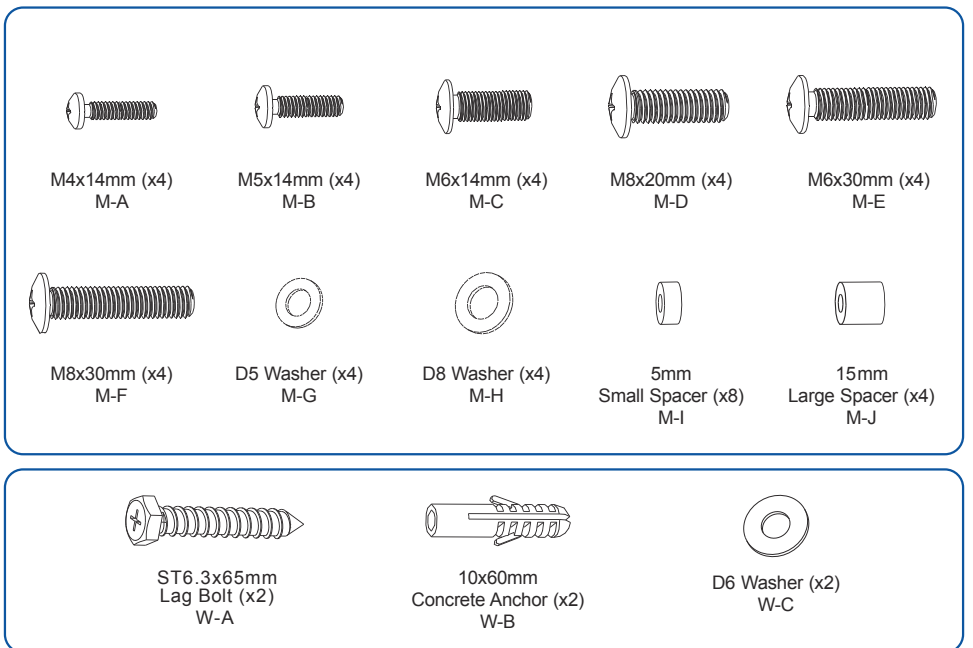
Included
Included
Included
Included
Contact Qualified Professional

Parts Checklist

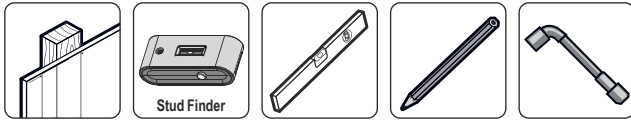
IMPORTANT: Before starting installation, please check that all parts shown in this checklist are included. If any parts are missing or damaged, contact your local distributor or support@qualgear.com for replacement parts and do not start assembly and installation until you receive all the parts.



Hardware Package



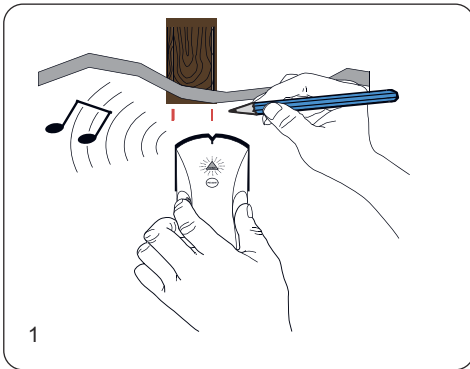
1a Mounting to a Wooden Stud Wall



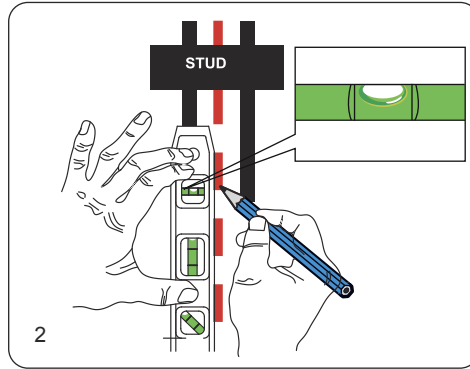
NOTE

For concrete or brick wall mounting, follow Step 1b.

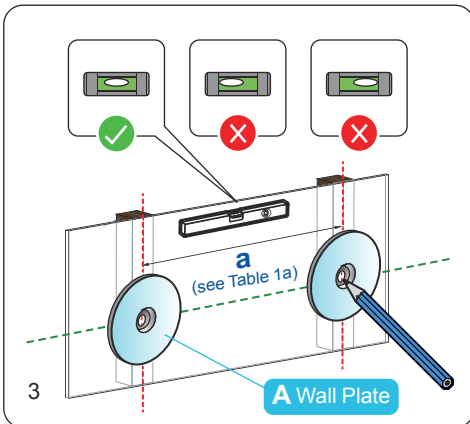
IMPORTANT: Minimum VESA for wooden stud installation is 400x400mm. If your TV has mounting holes closer than 400x400mm, do NOT use this mount.



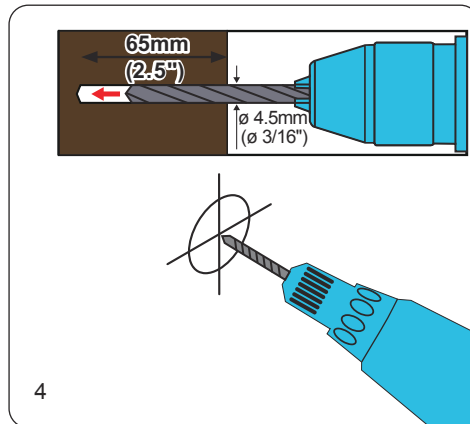
1 Using an edge-to-edge stud finder, find the edges of the stud.



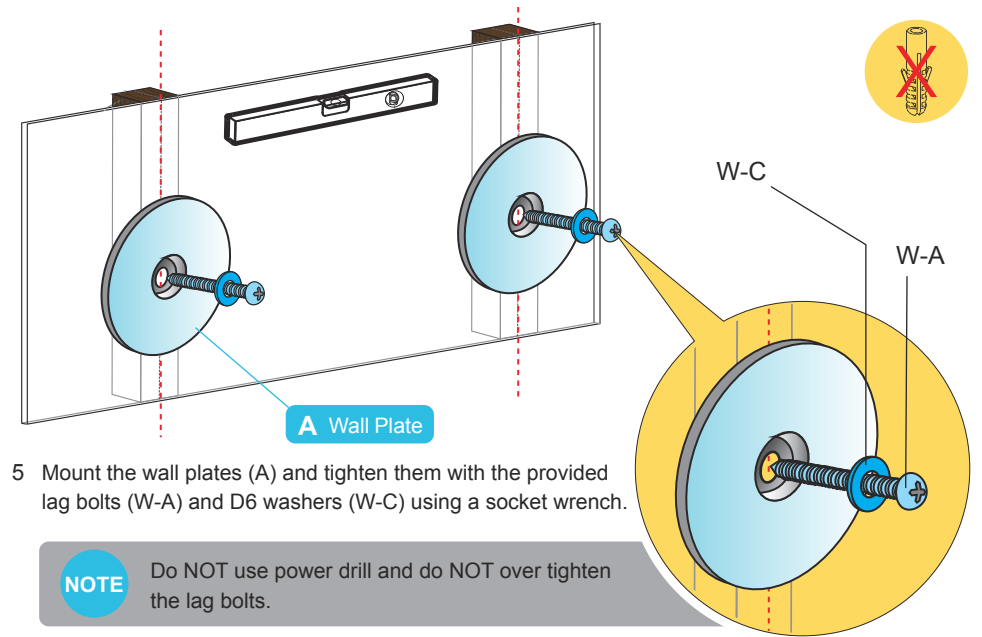
2 Using a level, mark the centerline of the stud.



3 Using the wall plate (A) as a template, mark two holes for drilling on the centerline of the stud.



4 Using a power drill and 3/16" drill bit, drill pilot holes of 3/16" (4.5 mm) diameter and at least 2.5" (65 mm) depth.



5 Mount the wall plates (A) and tighten them with the provided lag bolts (W-A) and D6 washers (W-C) using a socket wrench.

NOTE

Do NOT use power drill and do NOT over tighten the lag bolts.

[Table 1a] The letter "a" stands for the spacing between the wooden studs. The letter "L" (see step 2) stands for the actual length of the wire rope.

L \ a	406mm(16")	450mm(17.7")	600mm(23.6")
VESA 200x200mm and below	(Not Compatible)	(Not Compatible)	(Not Compatible)
400x400mm	700mm	710mm	(Not Compatible)
600x600mm	750mm	750mm	880mm
800x800mm	880mm	880mm	900mm

TIP

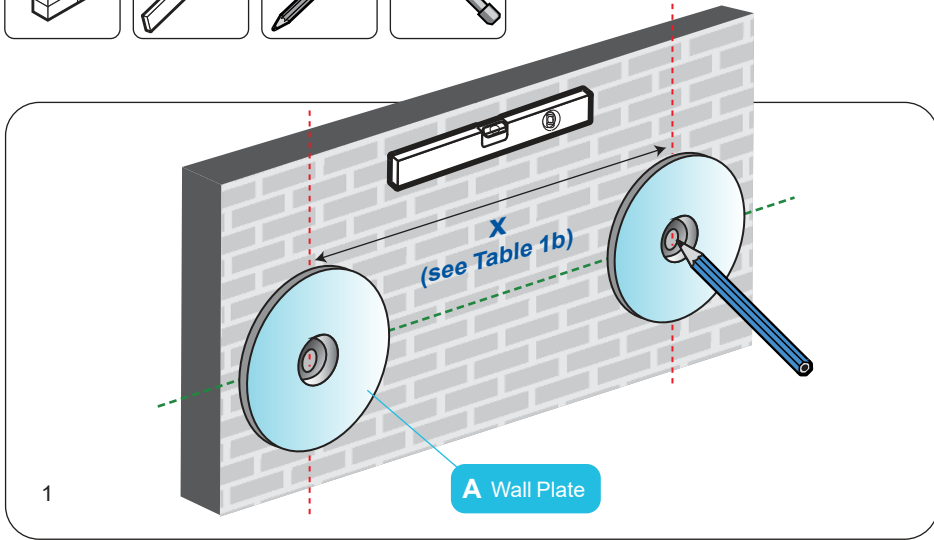
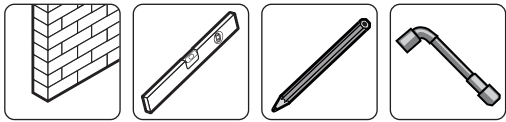
If your TV has a VESA of 400x400mm and spacing between the wooden studs is 16", then use wire rope length of 700mm.

WARNING

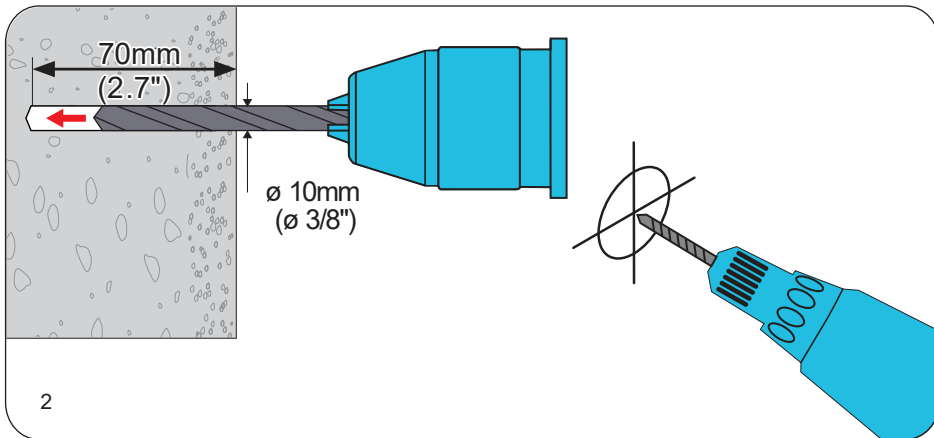
- Make sure that mounting screws are anchored into the center of the studs. The use of a stud finder is highly recommended.
- Installers are responsible to provide hardware for other types of mounting situations.
- Installers must verify that the supporting surface will safely support the combined weight of the equipment and all attached hardware and components.

SKIP TO STEP 2 →

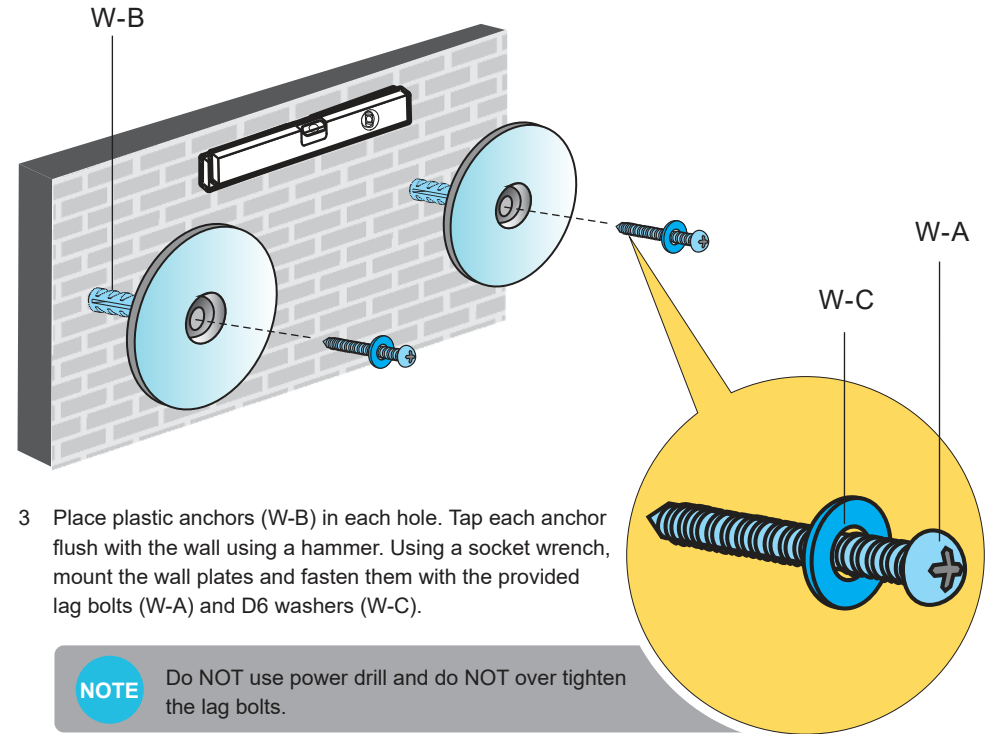
1b Mounting to a Concrete or a Solid Brick Wall



Hold the wall plate (A) as a template against the wall where you want to install your TV, mark two holes for drilling.



Using a power drill and a 3/8" masonry drill bit, drill mounting holes of 3/8" (10 mm) diameter and 2.7" (70 mm) depth at the marked locations in the previous step.



3 Place plastic anchors (W-B) in each hole. Tap each anchor flush with the wall using a hammer. Using a socket wrench, mount the wall plates and fasten them with the provided lag bolts (W-A) and D6 washers (W-C).

[Table 1b] The letter "X" stands for the spacing between the wall plates. The letter "L" (see step 2) stands for the actual length of wire rope.

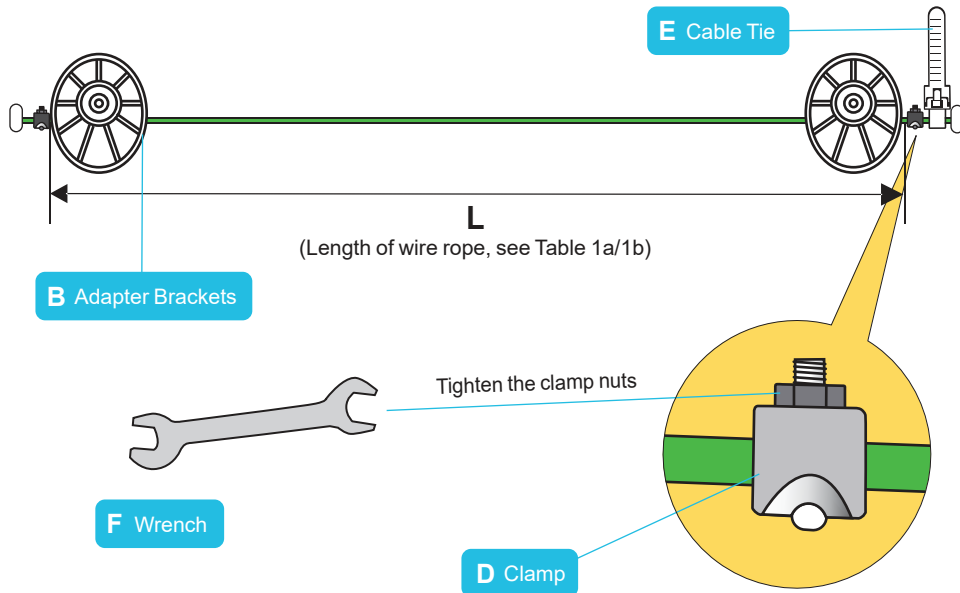
VESA	200x200mm and below	400x400mm	600x600mm	800x800mm
X	80-100mm	180-220mm	380-420mm	580-620mm
L	400mm	500mm	750mm	900mm

TIP If your TV has a VESA of 400x400mm, mount the wall plates at a spacing of 180-220mm, and use the wire rope length of 500mm.

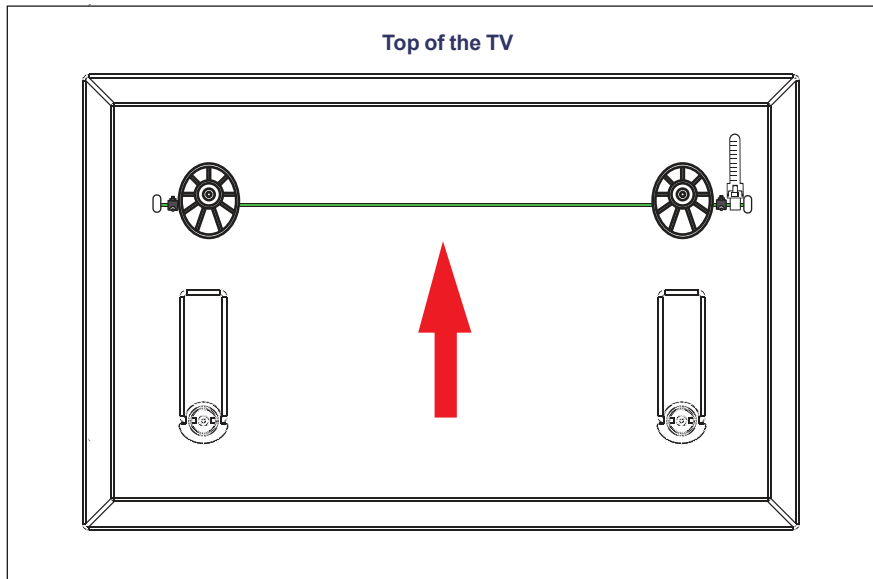
! WARNING

- Installers must verify that the supporting surface will safely support the combined weight of the equipment and all attached hardware and components.

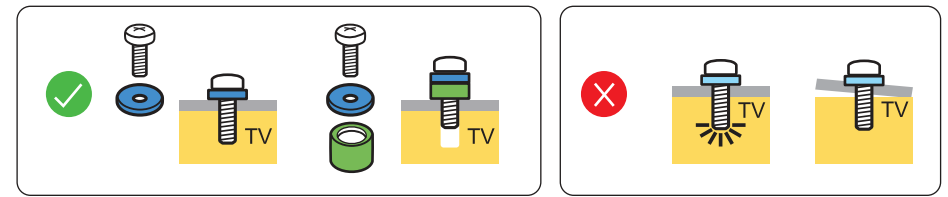
2 Installing the Adapter Brackets



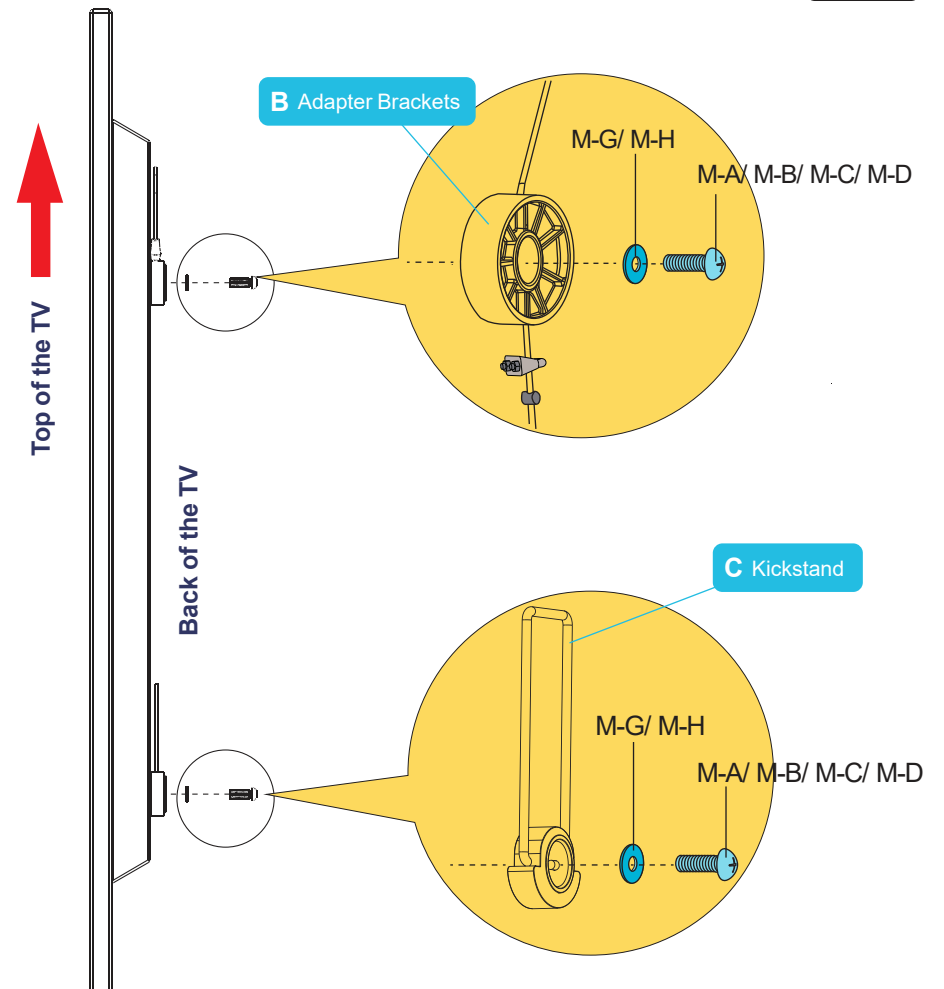
To adjust length of wire rope, loosen nuts of clamp (D), adjust wire rope length as necessary and re-tighten the clamp nuts using wrench (F).



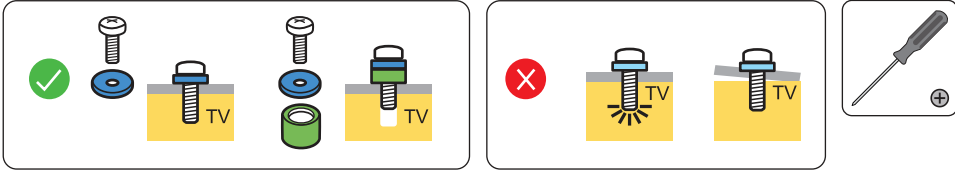
2a Installing to a Flat Back Panel of a TV



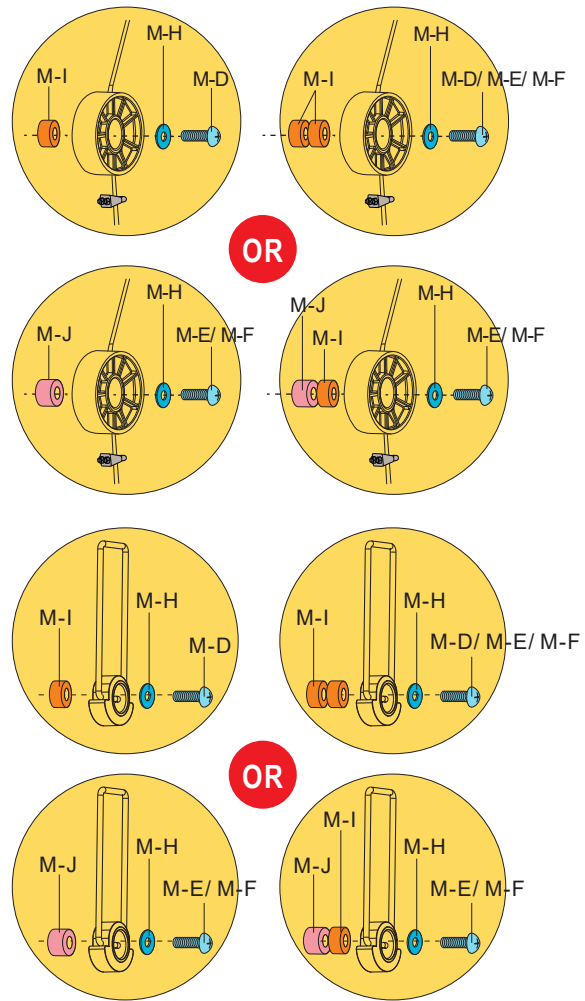
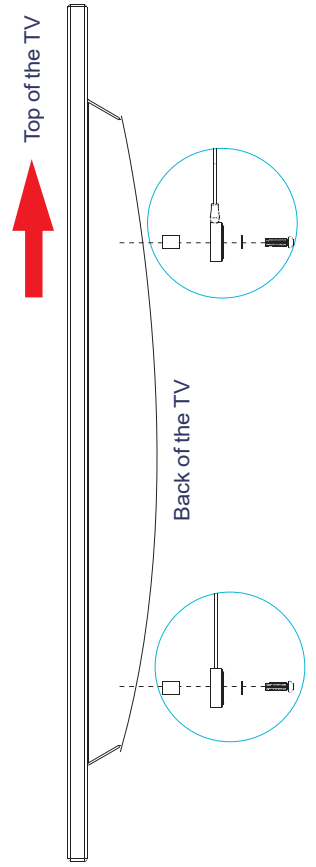
Choose the appropriate screws, washers, and spacers (if necessary) according to the type of your TV and tighten the adapter brackets (B) and the kickstands (C) to the back of the TV using a Phillips screw driver.



2b Installing to a Curved or Recessed Back Panel of a TV



IMPORTANT!
Tighten all screws but do NOT over tighten.



Choose the appropriate screws, washers, and spacers (if necessary) according to the type of your TV and tighten the adapter brackets (B) and the kickstands (C) to the back of the TV using a Philips screw driver.

3 Hanging the TV onto the Wall Plates

