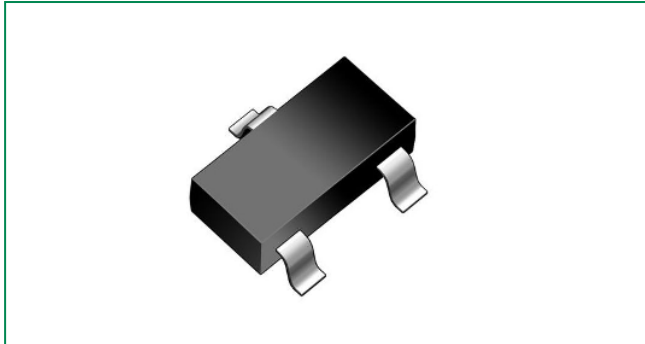


TMR Omni-polar Switch 17 Gauss 1.5uA PushPull Z Axis Sensor

RoHS



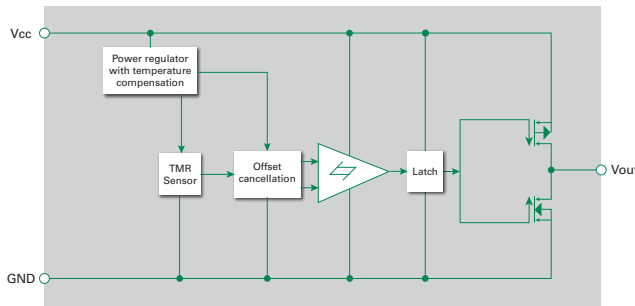
Description

The LF21235TMR TMR Switch is a digital omni-polar magnetic switch that integrates TMR and CMOS technology in order to provide a magnetically triggered digital switch with high sensitivity, high speed, and low power consumption.

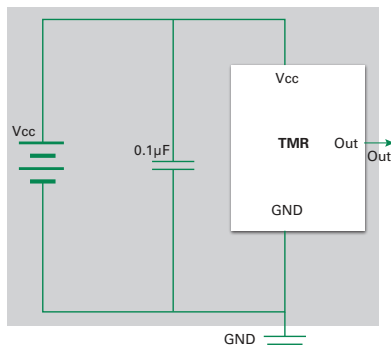
It contains a TMR magnetic sensor and CMOS signal processing circuitry within the same package, including an on-chip TMR voltage generator for precise magnetic sensing, a TMR voltage amplifier and comparator plus a Schmitt trigger to provide switching hysteresis for noise rejection, CMOS push-pull output and Z axis sensing direction.

An internal band gap regulator is used to provide a temperature compensated supply voltage for internal circuits, permitting a wide range of supply voltages. It draws only 1.5µA (see Features below) resulting in low power operation, additionally it has fast response, accurate switching points, excellent thermal stability, and immunity to stray field interference. It is available in the SOT23-3 package. The output of the LF21235TMR switches low (turns on) when the magnetic field parallel to the sensing axis exceeds the operate point threshold, BOP. When the magnetic field is reduced below the release point BRP device output switches high (turns off). The difference between the BOP and the BRP is the hysteresis BH of the device.

Functional Block Diagram



TMR Switch Typical Applications Circuit



Note: It is strongly recommended that an external bypass capacitor be connected in-close-proximity to the device between the supply and ground pins to reduce noise. The recommended value for the external bypass capacitor is 0.1µF.

Features

- Tunneling Magnetoresistance (TMR) Technology
- Low Power Consumption at 1.5µA
- Z axis sensing direction
- High Frequency up to 1kHz
- Operation with North or South Pole
- 1.8V to 5.5V Operating Range

Benefits

- Low Switching Points for High Sensitivity
- Excellent Thermal Stability
- High Tolerance to External Magnetic Field Interference

Applications

- Proximity Switches
- Utility Meters including Gas, Water and Heat Meters
- Speed Sensing
- Low power applications
- Rotary and Linear Position sensing

Output Behavior Versus Magnetic Pole

| Parameter | Test Conditions | Output (volts) |
|------------|-------------------|----------------|
| South Pole | $B > B_{OPS}$ | Low (On) |
| | $0 < B < B_{RPS}$ | High (Off) |
| North Pole | $B < B_{OPN}$ | Low (On) |
| | $0 > B > B_{RPN}$ | High (Off) |

Note: When power is turned on under Zero magnetic field, the output is "High".

Absolute Maximum Ratings (@TA = +25°C, unless otherwise specified)

| Symbol | Characteristics | Values | Unit |
|---------------|------------------------|-----------|-------|
| V_{CC} | Supply Voltage | 7.0 | V |
| V^{RCC} | Reverse Supply Voltage | 0.3 | V |
| $I_{OUTSINK}$ | Output Current | 9.0 | mA |
| B | Magnetic Flux Density | 2800 | Gauss |
| V_{ESD} | ESD level(HBM) | 2 | kV |
| T_A | Operating Temperature | -40 ~ 125 | °C |
| T_{stg} | Storage Temperature | -50 ~ 150 | °C |

Note: Stresses greater than the 'Absolute Maximum Ratings' specified above may cause permanent damage to the device. These are stress ratings only; functional operation of the device at these or any other conditions exceeding those indicated in this specification is not implied. Device reliability may be affected by exposure to absolute maximum rating conditions for extended periods of time.

Electrical Characteristics (@TA = +25°C, Vcc = 3.0V)

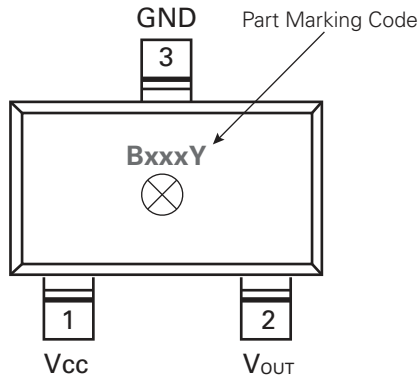
| Symbol | Characteristics | Min. | Typ. | Max. | Unit | Conditions |
|----------|---------------------|----------------|------|----------|---------|-------------|
| V_{CC} | Supply Voltage | 1.8 | 3.0 | 5.5 | V | Operating |
| V_{OH} | Output High Voltage | $V_{CC} - 0.3$ | | V_{CC} | V | |
| V_{OL} | Output Low Voltage | 0 | | 0.2 | V | |
| I_{CC} | Supply Current | | 1.5 | | μA | Output Open |
| Freq | Response Frequency | | 1.0 | | kHz | |

Magnetic Characteristics (@TA = +25°C, Vcc = 3.0V)

| Symbol | Characteristics | Min. | Typ. | Max. | Unit |
|-----------|-----------------|------|------|------|-------|
| B_{OPS} | Operation Point | 4 | 17 | 35 | Gauss |
| B_{OPN} | | -35 | -17 | -4 | Gauss |
| B_{RPS} | Release Point | 4 | 10 | 30 | Gauss |
| B_{RPN} | | -30 | -10 | -4 | Gauss |
| B_H | Hysteresis | - | 7 | - | Gauss |

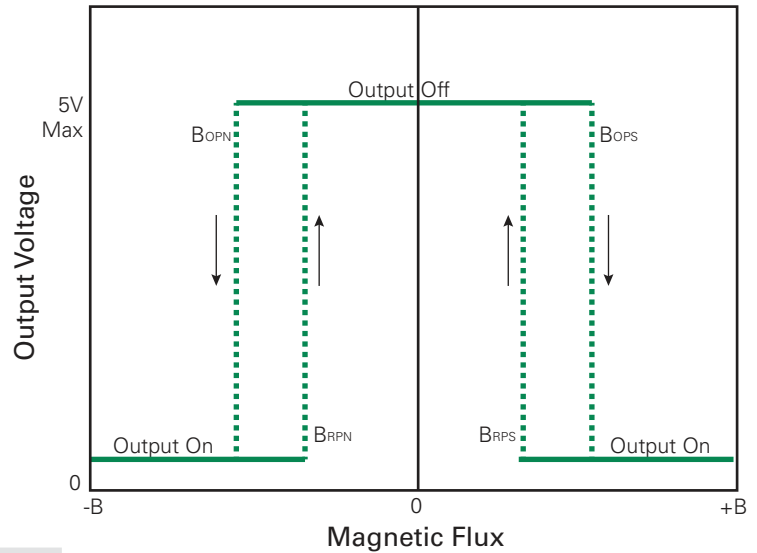
Pin Configuration and Sensing Direction of Magnetic Field

SOT23-3

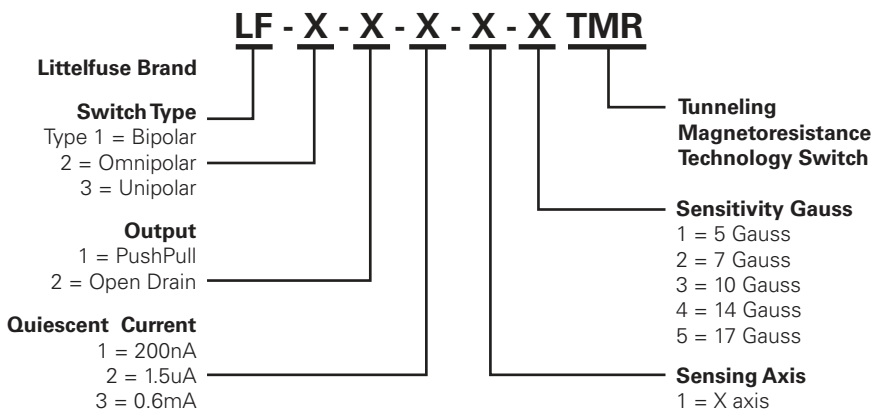


Part Marking Code:
BxxxY: B = LF21235TMR; xxx = Julian manufactured date; y = manufactured year
Moisture Sensitivity Level: Rating is 3
Pick and Place Nozzle: Samsung CN140 or equivalent

| Pin Name | Pin No. SOT23-3 | Pin Function |
|----------|-----------------|----------------|
| Vout | 2 | Output |
| GND | 3 | Ground |
| Vcc | 1 | Supply Voltage |

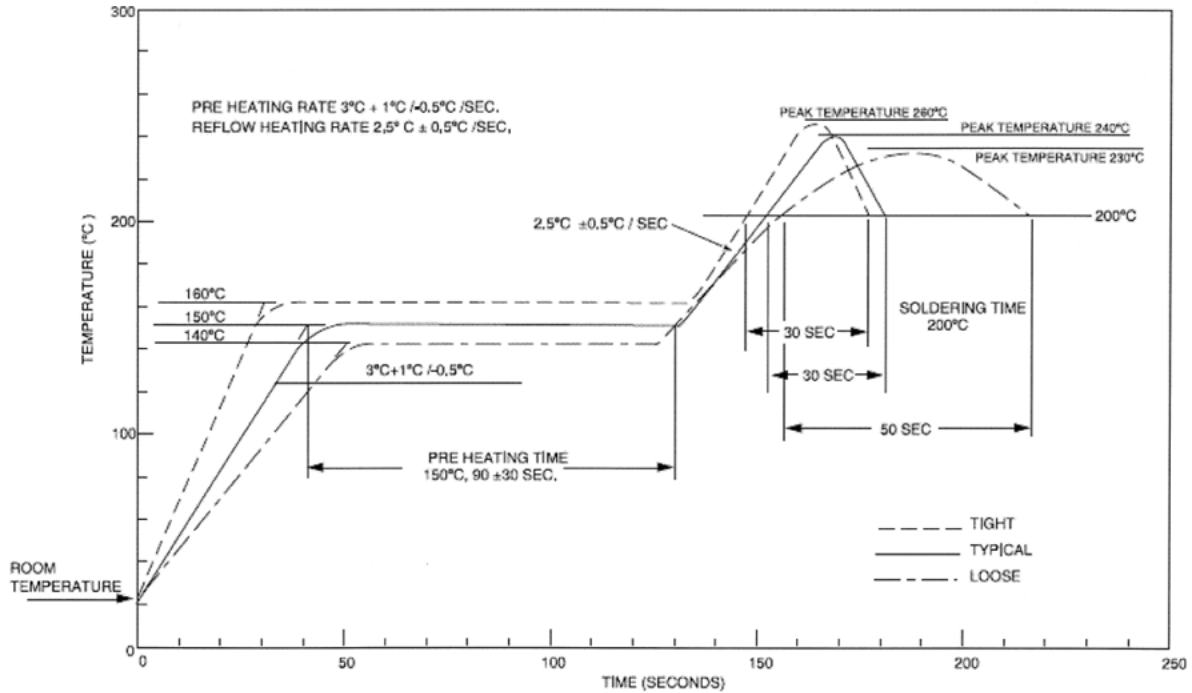


Part Numbering System

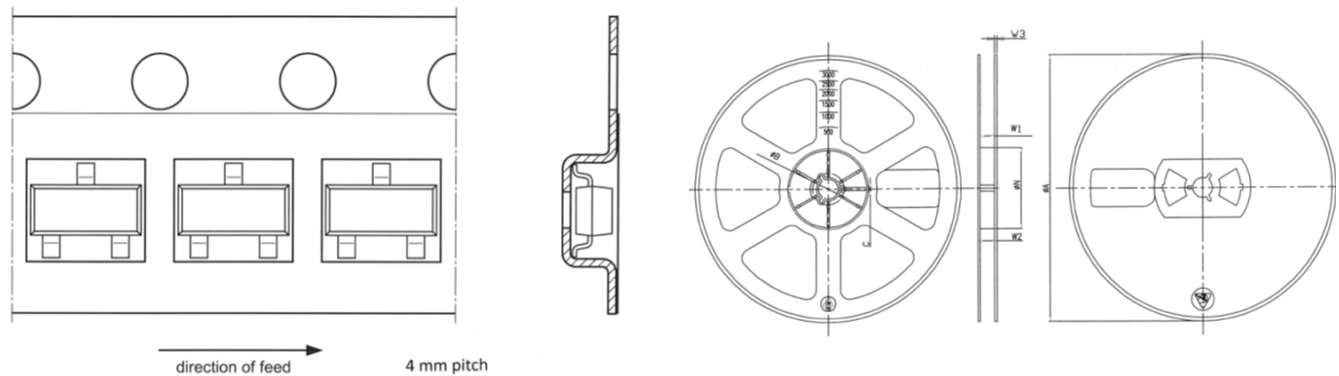


Example: LF21235TMR is an Omnipolar, PushPull, 1.5uA, X axis, 17 Gauss
Note: Every combination is NOT offered. Contact Littelfuse for availability.

Soldering Profile for Lead-free packages

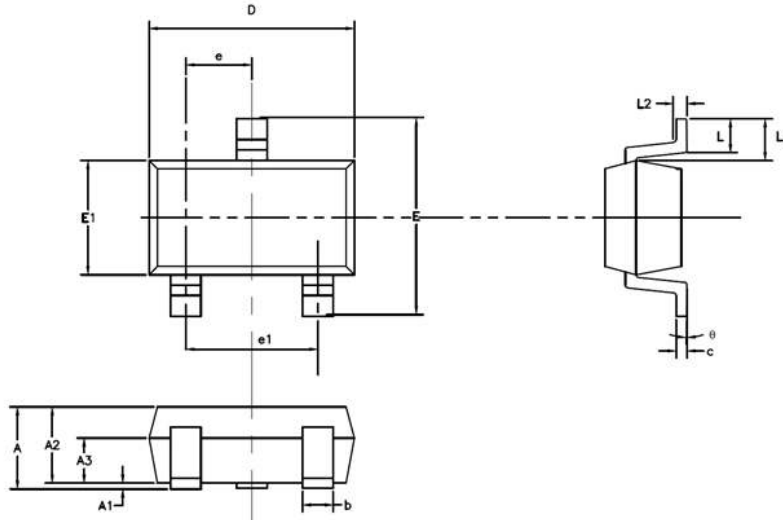


Tape and Reel



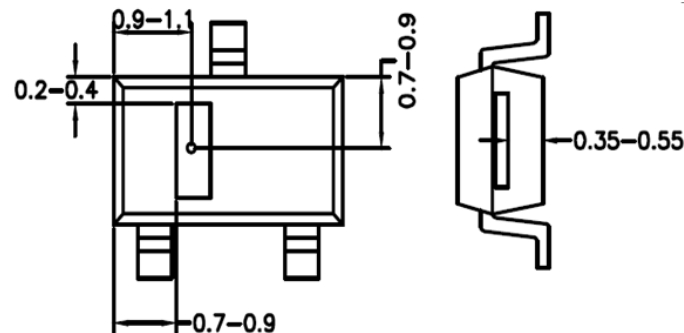
| ØA | ØN | ØB | C | W1 | W2 | W3 |
|-------|------|----------|---------|-------------|--------|---------|
| 178±2 | 54±2 | 13.2±0.3 | 2.2±0.3 | 8.4±1.5/0.0 | 12 MAX | 1.4±0.4 |

SOT23-3 Package Information



| Symbol | Dimensions in Millimeters | | | Dimensions in Inches | | |
|--------|---------------------------|------|------|----------------------|-------|-------|
| | Min | Nom | Max | Min | Nom | Max |
| A | - | - | 1.45 | - | - | 0.057 |
| A1 | 0.00 | - | 0.15 | 0.000 | - | 0.006 |
| A2 | 0.90 | 1.10 | 1.30 | 0.035 | 0.043 | 0.051 |
| A3 | 0.60 | 0.65 | 0.70 | 0.024 | 0.026 | 0.028 |
| b | 0.39 | - | 0.49 | 0.015 | - | 0.019 |
| c | 0.12 | - | 0.19 | 0.005 | - | 0.007 |
| D | 2.85 | 2.95 | 3.05 | 0.112 | 0.116 | 0.120 |
| E | 2.60 | 2.80 | 3.00 | 0.102 | 0.110 | 0.118 |
| E1 | 1.55 | 1.65 | 1.75 | 0.061 | 0.065 | 0.069 |
| e | 0.85 | 0.95 | 1.05 | 0.033 | 0.037 | 0.041 |
| e1 | 1.80 | 1.90 | 2.00 | 0.071 | 0.075 | 0.079 |
| L | 0.35 | 0.45 | 0.60 | 0.014 | 0.018 | 0.024 |
| L1 | 0.59REF | | | 0.023REF | | |
| L2 | 0.25BSC | | | 0.01BSC | | |
| Ø | 0° | - | 8° | 0° | - | 8° |

TMR Sensor Position (SOT23-3 Elements)



Important Notice - Littelfuse products are not designed for, and shall not be used for, any purpose (including, without limitation, automotive, military, aerospace, medical, life-saving, life-sustaining or nuclear facility applications, devices intended for surgical implant into the body, or any other application in which the failure or lack of desired operation of the product may result in personal injury, death, or property damage) other than those expressly set forth in applicable Littelfuse product documentation. Warranties granted by Littelfuse shall be deemed void for products used for any purpose not expressly set forth in applicable Littelfuse documentation. Littelfuse shall not be liable for any claims or damages arising out of products used in applications not expressly intended by Littelfuse as set forth in applicable Littelfuse documentation. The sale and use of Littelfuse products is subject to Littelfuse Terms and Conditions of Sale, unless otherwise agreed by Littelfuse.

Disclaimer Notice - Information furnished is believed to be accurate and reliable. However, users should independently evaluate the suitability of and test each product selected for their own applications. Littelfuse products are not designed for, and may not be used in, all applications. Read complete Disclaimer Notice at: www.littelfuse.com/disclaimer-electronics.