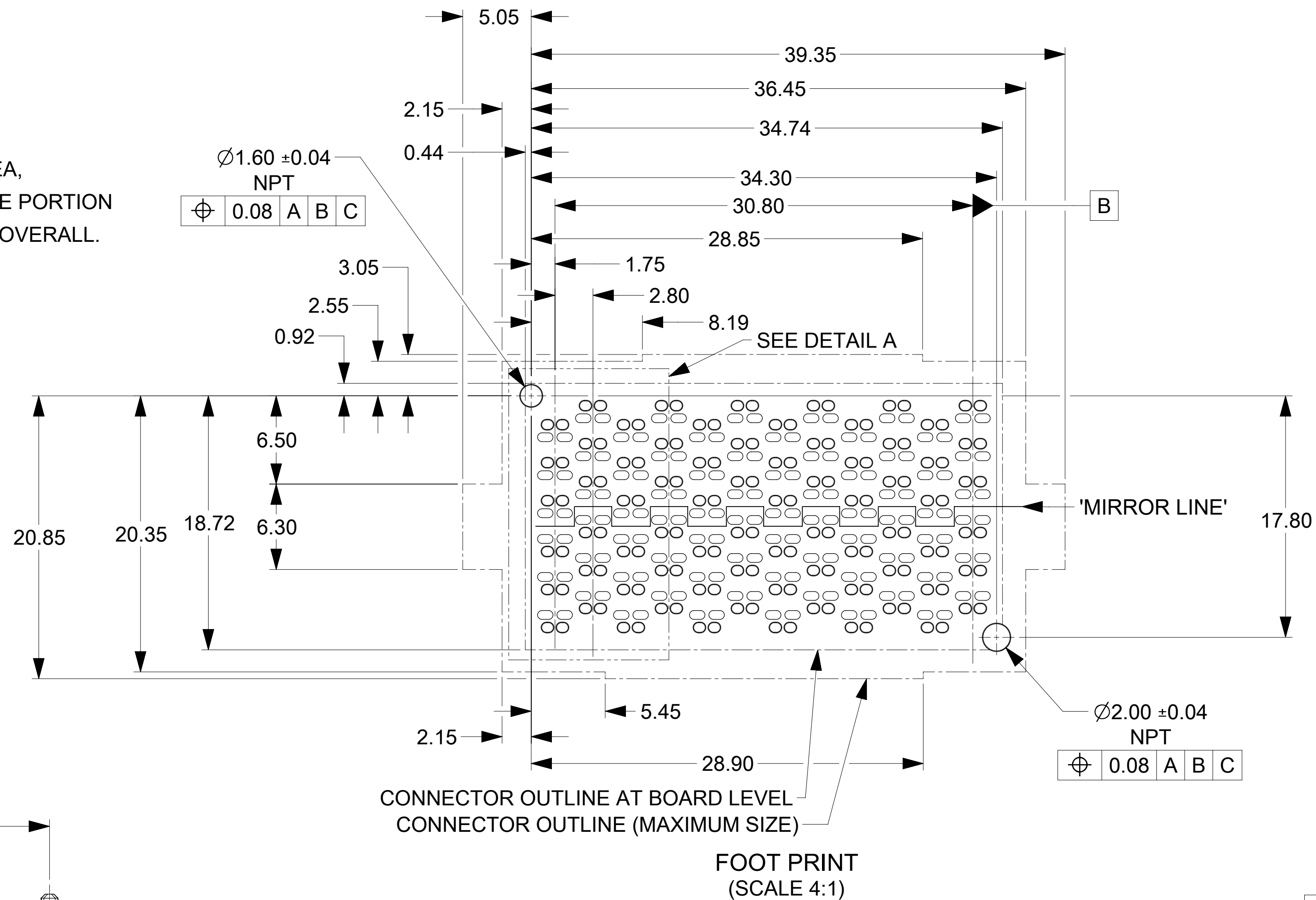
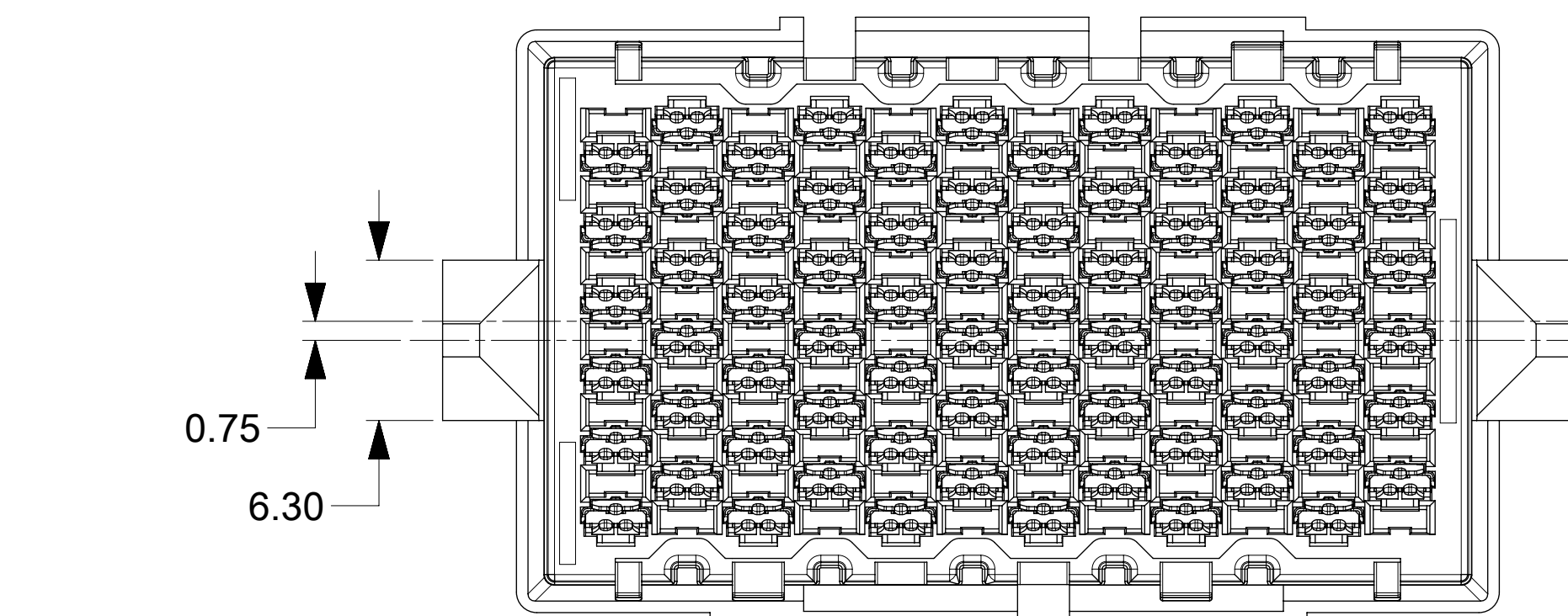
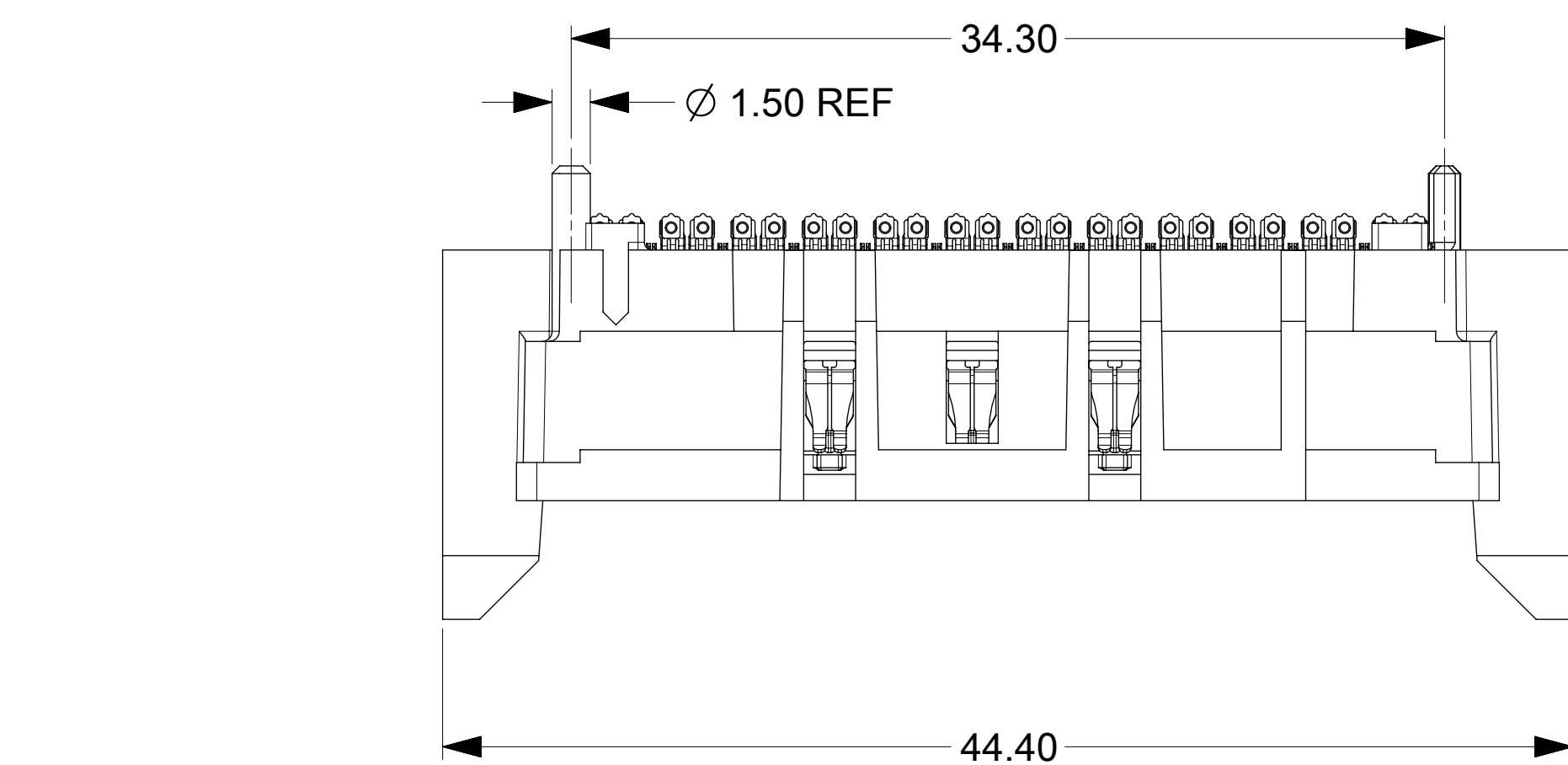
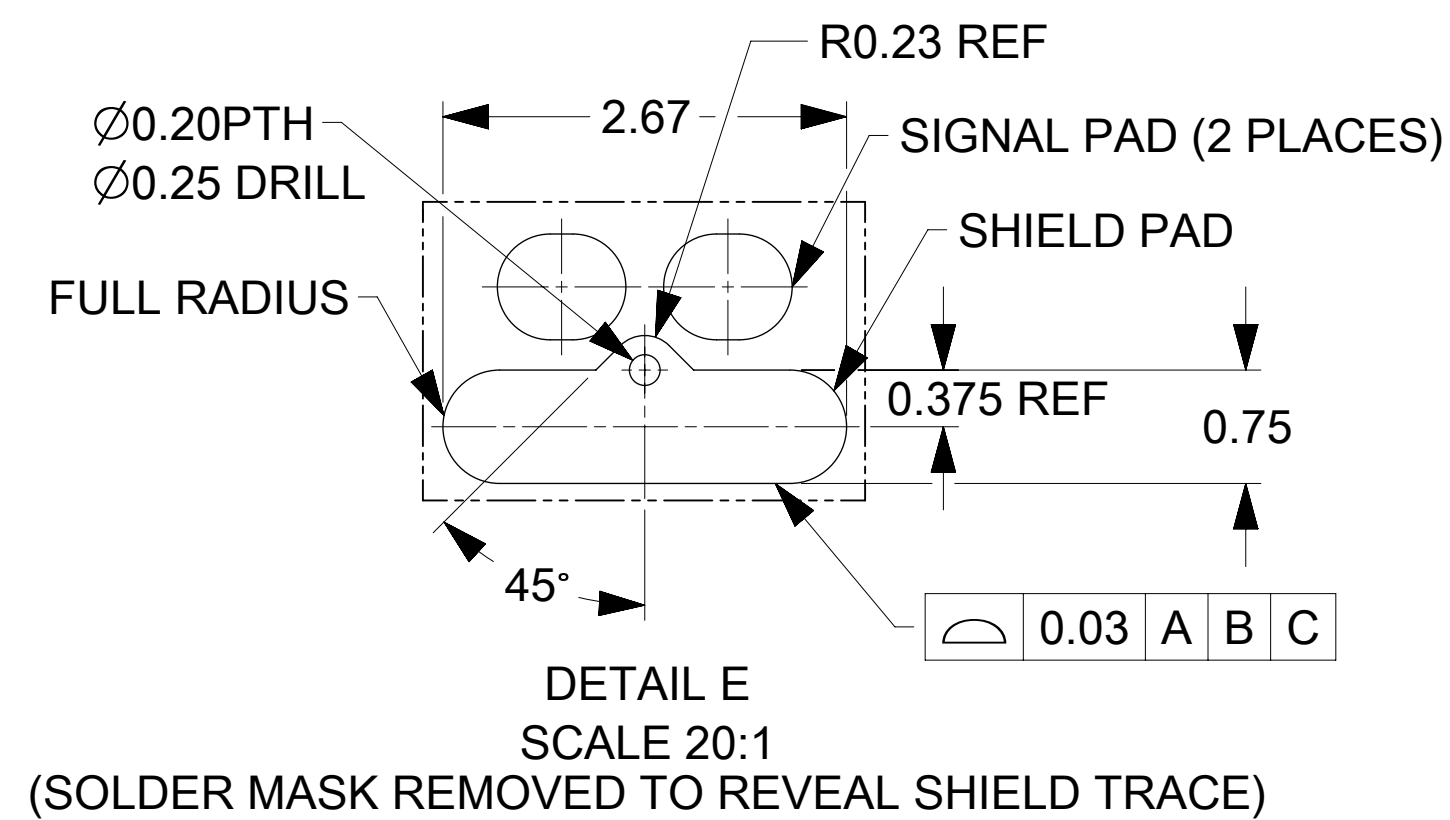


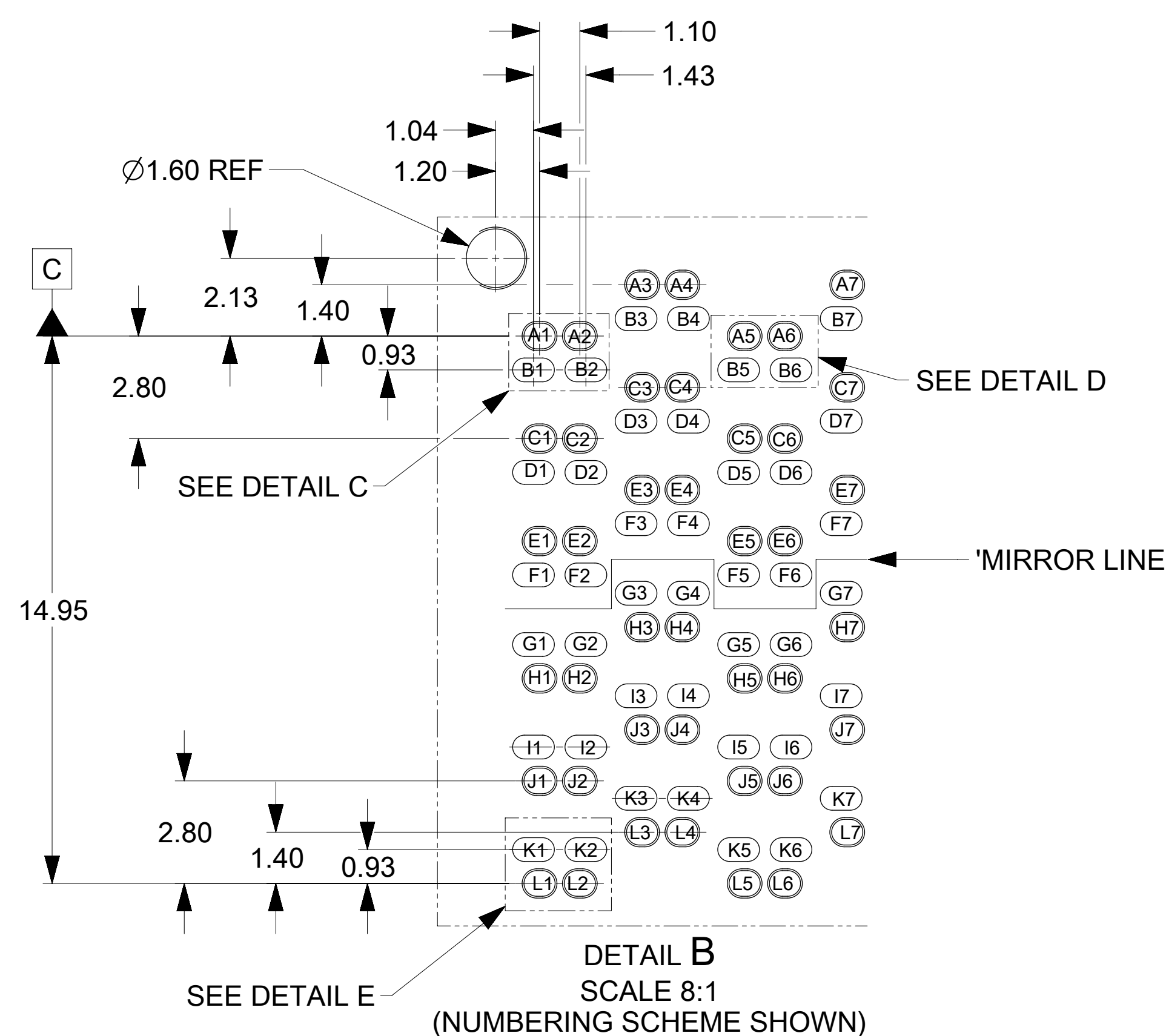
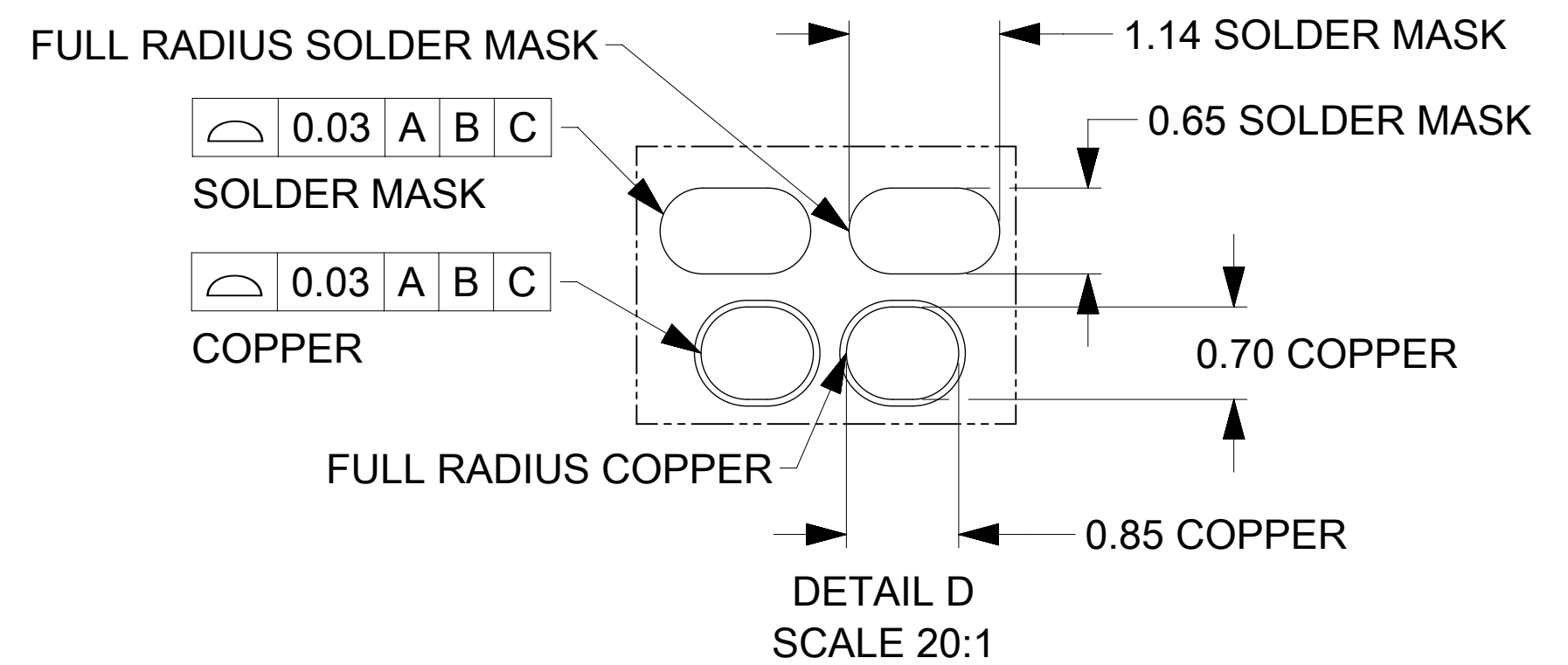
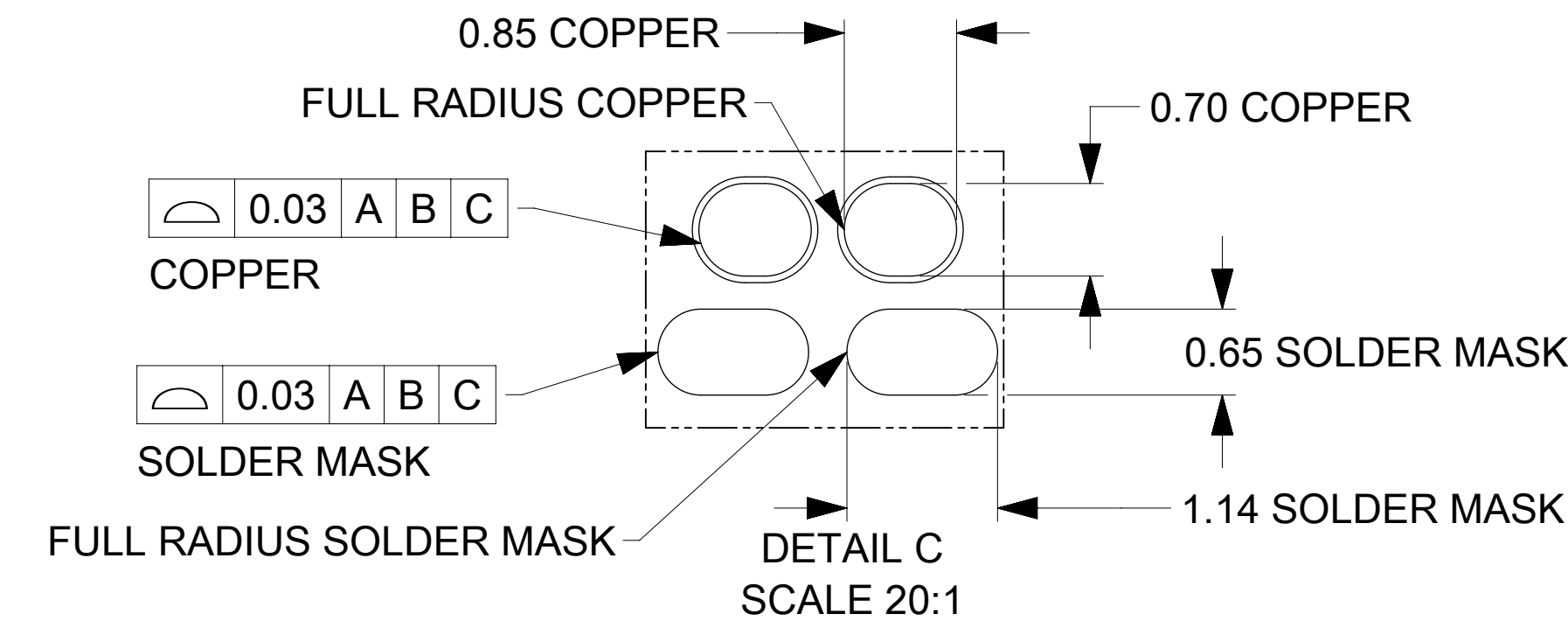
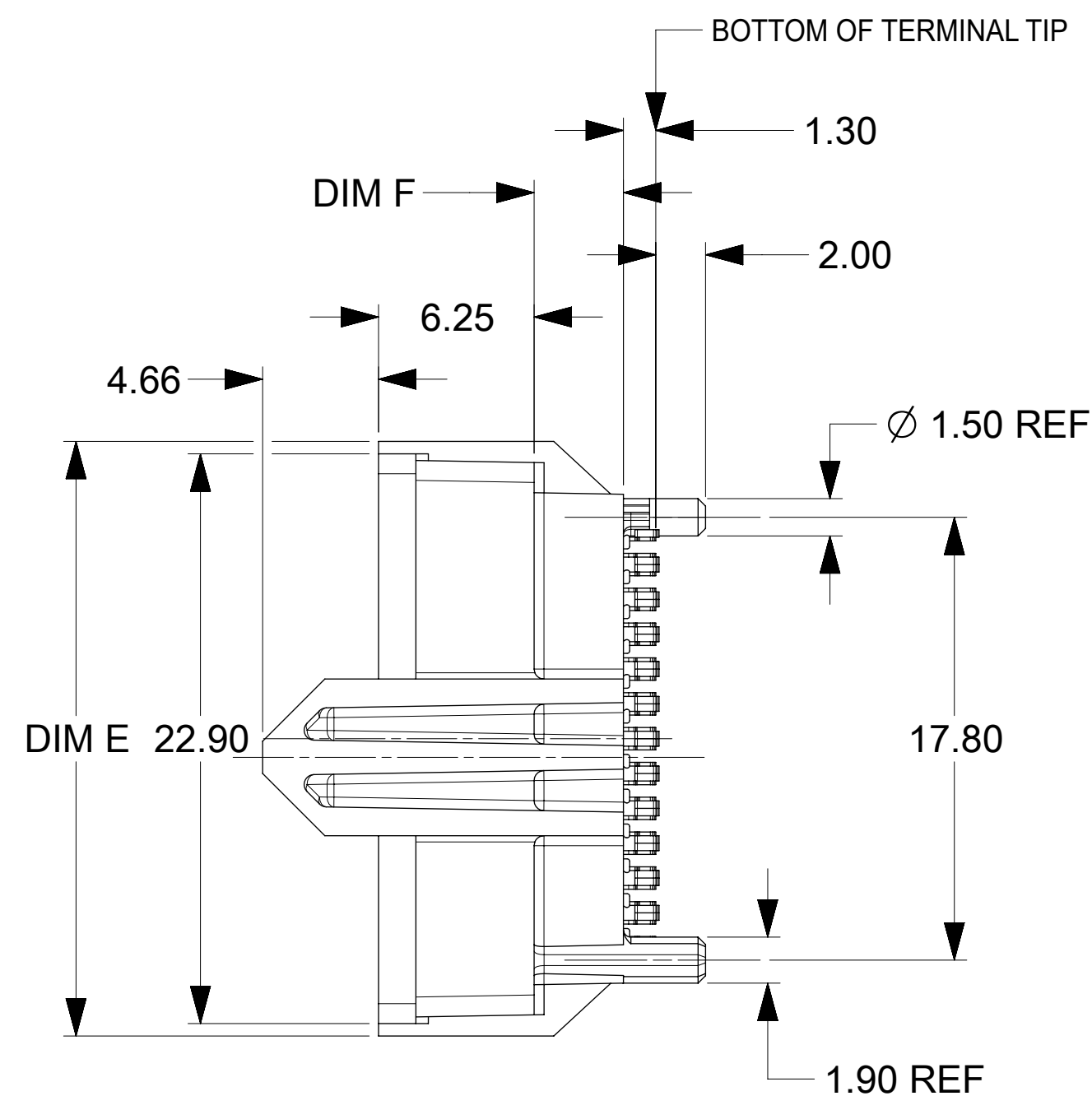
NOTES:

- HOUSING MATERIAL: LCP, GLASS FILLED, UL 94V-0, BLACK  
CONTACT MATERIAL: HIGH PERFORMANCE COPPER ALLOY  
SOLDER CHARGE: LEAD FREE SOLDER ALLOY
- FINISH:  
CONTACTS: SELECT GOLD: 30 μINCHES MIN ON CONTACT AREA,  
SELECTIVE TIN: 100 μINCHES MIN ON SOLDERABLE PORTION  
OF SOLDER TAILS; OVER 50 μINCHES MIN NICKEL OVERALL.
- PRODUCT SPECIFICATION: PS-170807-0001
- PACKAGING SPECIFICATION: PK-170814-002
- APPLICATION SPECIFICATION: AS-170807-0001



FOOT PRINT NOTES:

- DATUM -A- IS THE TOP OF THE PCB.
- ALL DIMENSIONS ARE BASICS.
- SEE APPLICATION SPECIFICATION FOR ADDITIONAL INFORMATION.

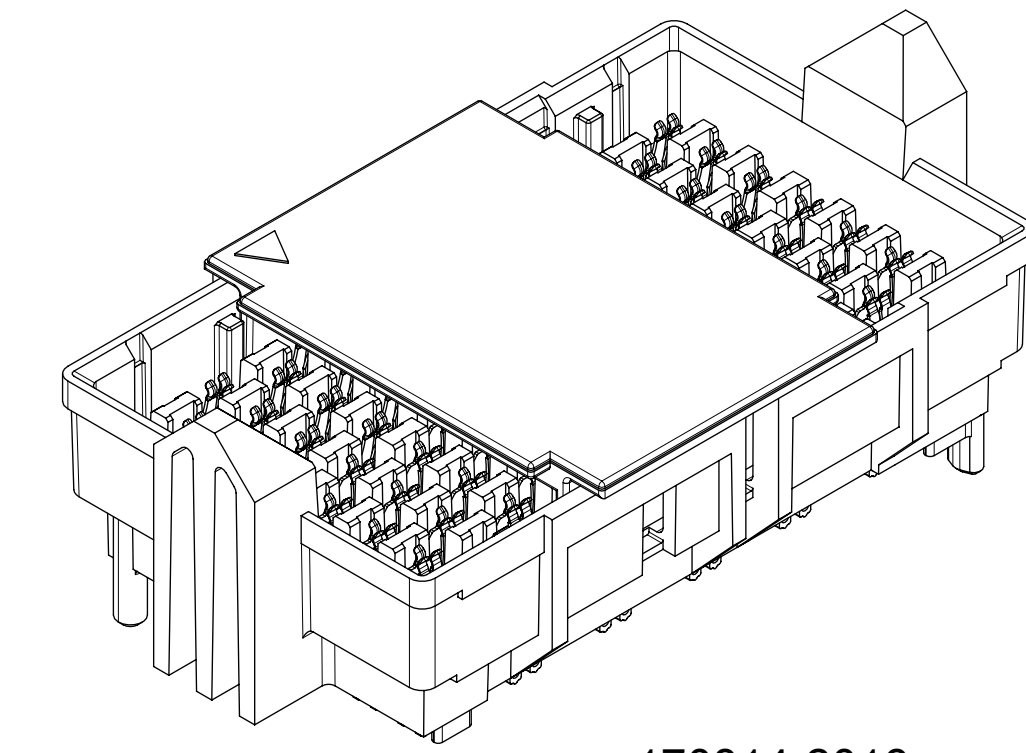
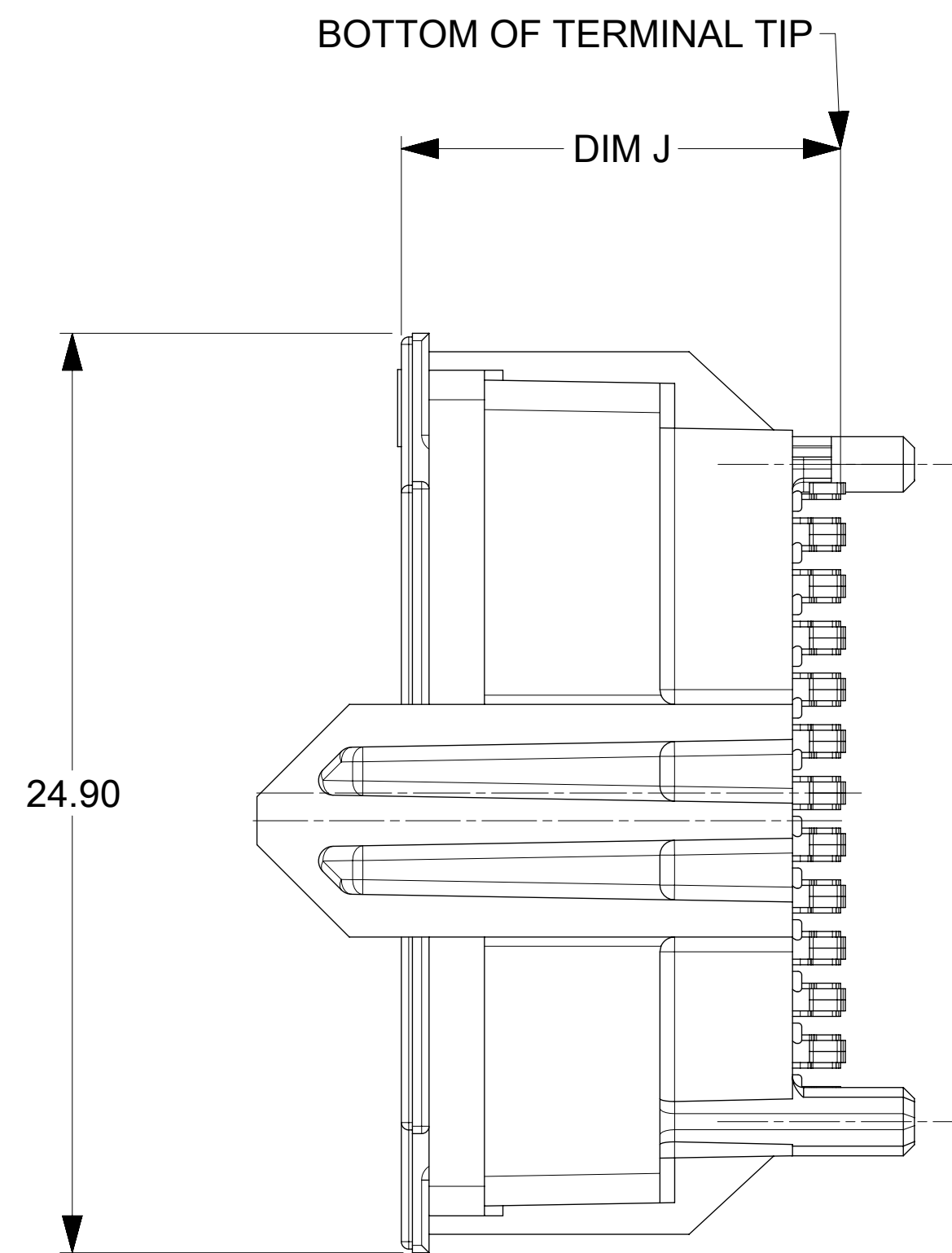
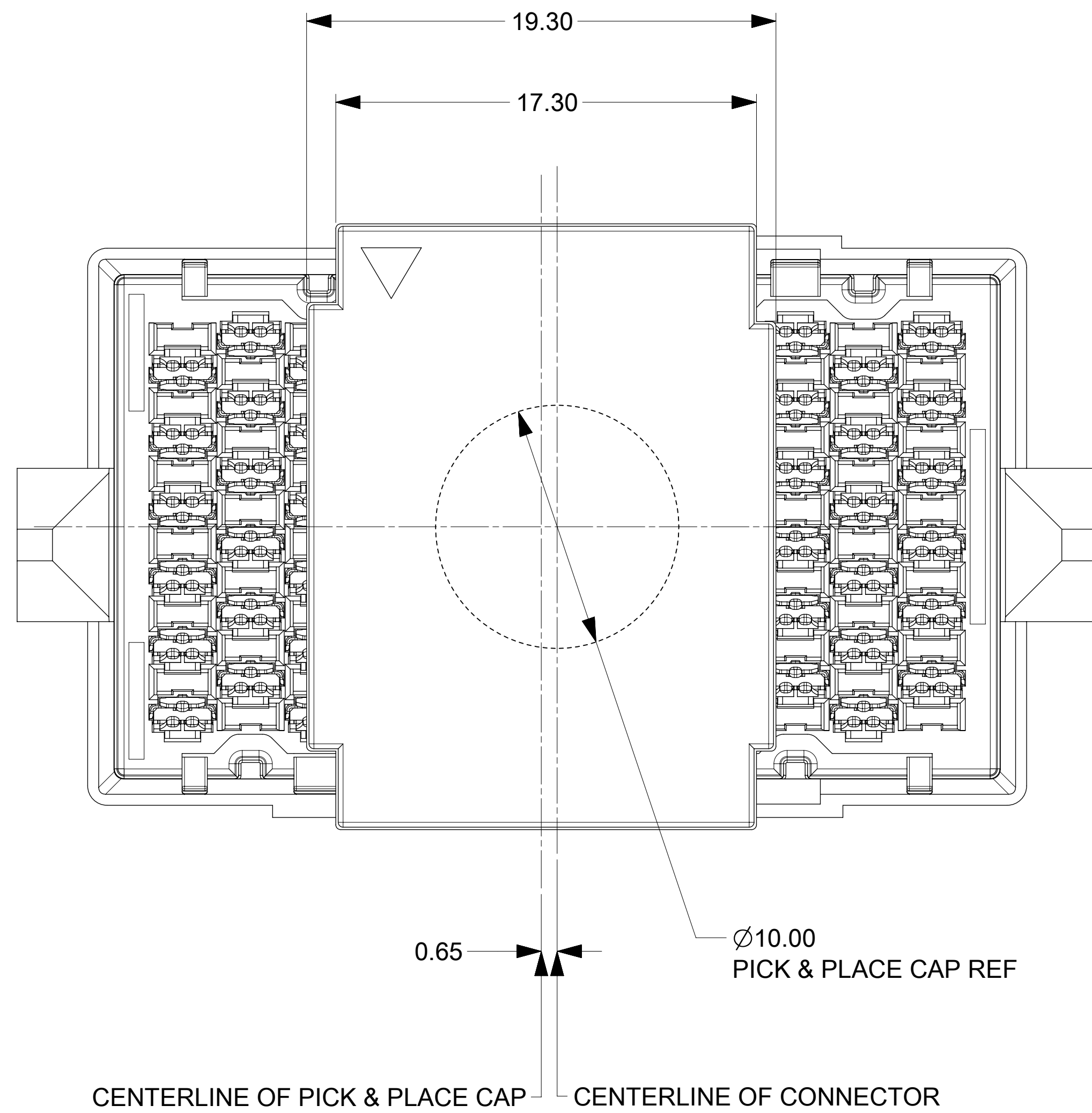


FUNCTIONAL SYMBOLS		THIS DRAWING CONTAINS INFORMATION THAT IS PROPRIETARY TO MOLEX ELECTRONIC TECHNOLOGIES, LLC AND SHOULD NOT BE USED WITHOUT WRITTEN PERMISSION	
FA = 0	mm	SCALE	NTS
FC = 0	GENERAL TOLERANCES (UNLESS SPECIFIED)		
FD = 0	ANGULAR TOL ± 0.5°		
DIVISIONAL SYMBOLS	4 PLACES	±	
	3 PLACES	±	
	2 PLACES	±	0.15
	1 PLACE	±	
	0 PLACES	±	
DRAFT WHERE APPLICABLE MUST REMAIN WITHIN DIMENSIONS		THIRD ANGLE PROJECTION	DRAWING SERIES
		D-SIZE	170814
		MATERIAL NUMBER	CUSTOMER
		1708072032	GENERAL MARKET
		SHEET NUMBER	1 OF 2

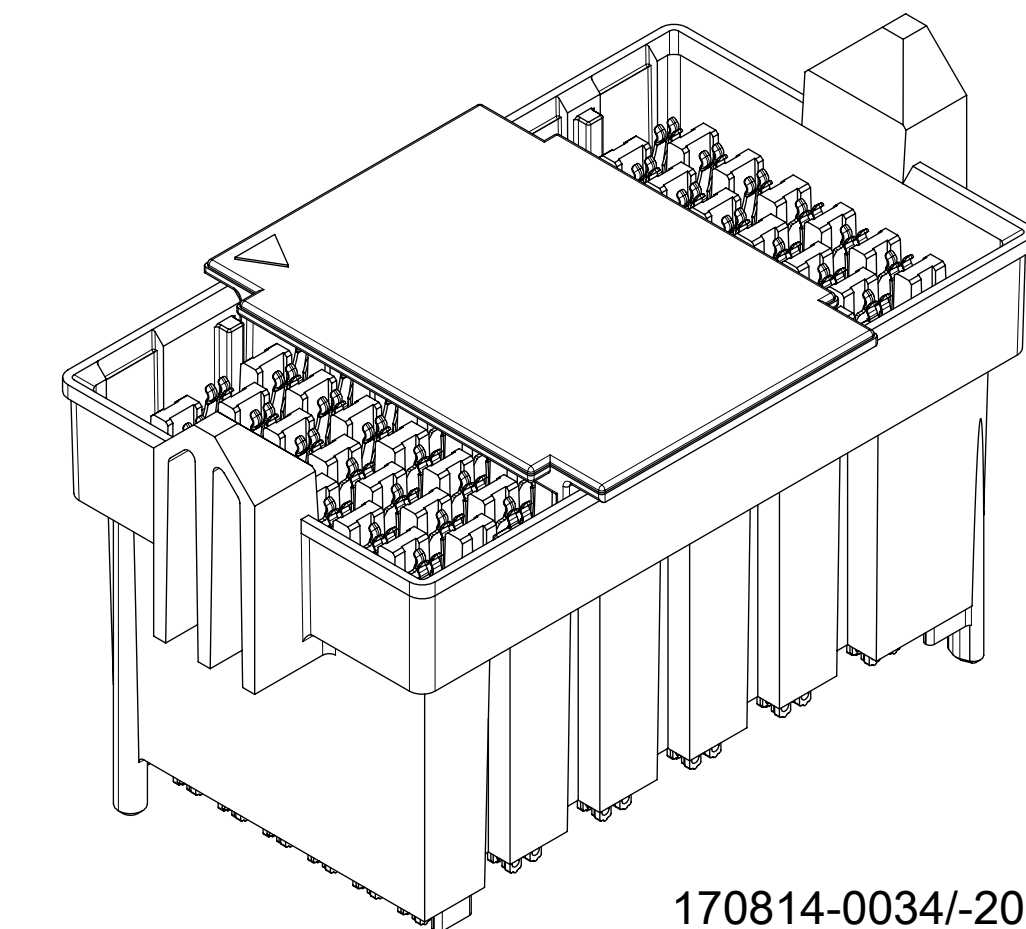
PART ILLUSTRATED IS 170814-2016

RECEPTACLE, 6X12, NEOSCALE			
PRODUCT CUSTOMER DRAWING			
DOCUMENT NUMBER	DOC TYPE	DOC PART	REVISION
SD-170814-2016	PSD	001	A3

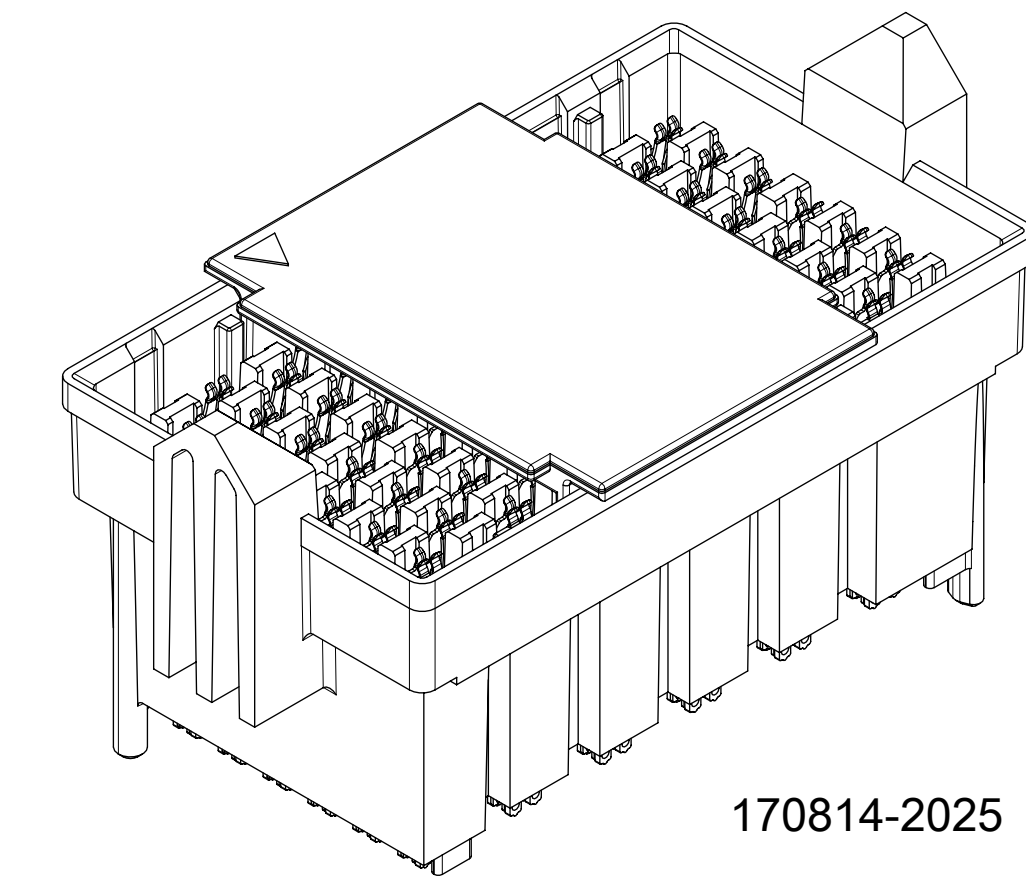
MATERIAL NUMBER	HEIGHT	TRIAD TYPE AND COUNT			DIM E	DIM F	DIM J	MATE WITH
		85 OHMS	100 OHMS	POWER				
1708142016	8.00MM	N/A	72 PLACES	N/A	23.90	3.59	11.89	1708072016 (22MM) & 1708072008 (12MM) & 1708072020 (8MM)
1708140034	18.00MM	72 PLACES	N/A	N/A	N/A	13.59	21.89	1708070034 (22MM)
1708142008	18.00MM	N/A	72 PLACES	N/A	N/A	13.59	21.89	1708072016 (22MM) & 1708072008 (12MM) & 1708072020 (8MM) 1708072027 (10MM)
1708142025	15.00MM	N/A	72 PLACES	N/A	N/A	10.59	18.89	1708072016 (22MM) & 1708072008 (12MM) & 1708072020 (8MM)
1708140049	8.00MM	72 PLACES	N/A	N/A	23.90	3.59	11.89	1708070046 (12MM)



170814-2016  
SCALE 3:1



170814-0034/2008  
SCALE 3:1



170814-2025  
SCALE 3:1

FUNCTIONAL SYMBOLS FA = 0 FC = 0 FD = 0	THIS DRAWING CONTAINS INFORMATION THAT IS PROPRIETARY TO MOLEX ELECTRONIC TECHNOLOGIES, LLC AND SHOULD NOT BE USED WITHOUT WRITTEN PERMISSION		CURRENT REV DESC: REMASTERED TO NX.	
	DIMENSION UNITS mm	SCALE NTS		
DIVISIONAL SYMBOLS	GENERAL TOLERANCES (UNLESS SPECIFIED)		EC NO: 667773	
	ANGULAR TOL ± 0.5°		DRWN: JESSIECHUA 2021/06/22	
	4 PLACES ±	CHK'D: HCGOH 2021/07/15		
	3 PLACES ±	APPR: SHONG 2021/07/19		
	2 PLACES ± 0.15	INITIAL REVISION:		
	1 PLACE ±	DRWN: HCGOH 2013/12/30		
0 PLACES ±	APPR: SHONG 2014/01/27		2014/01/27	
DRAFT WHERE APPLICABLE MUST REMAIN WITHIN DIMENSIONS		THIRD ANGLE PROJECTION	DRAWING D-SIZE	SERIES 170814
DOCUMENT STATUS P1		RELEASE DATE 2021/07/19 00:44:13	MATERIAL NUMBER SEE CHART	CUSTOMER GENERAL MARKET
PART ILLUSTRATED IS 170814-2016			DOCUMENT NUMBER SD-170814-2016	DOC TYPE PSD
			DOC PART 001	REVISION A3
			SHEET NUMBER 2 OF 2	