

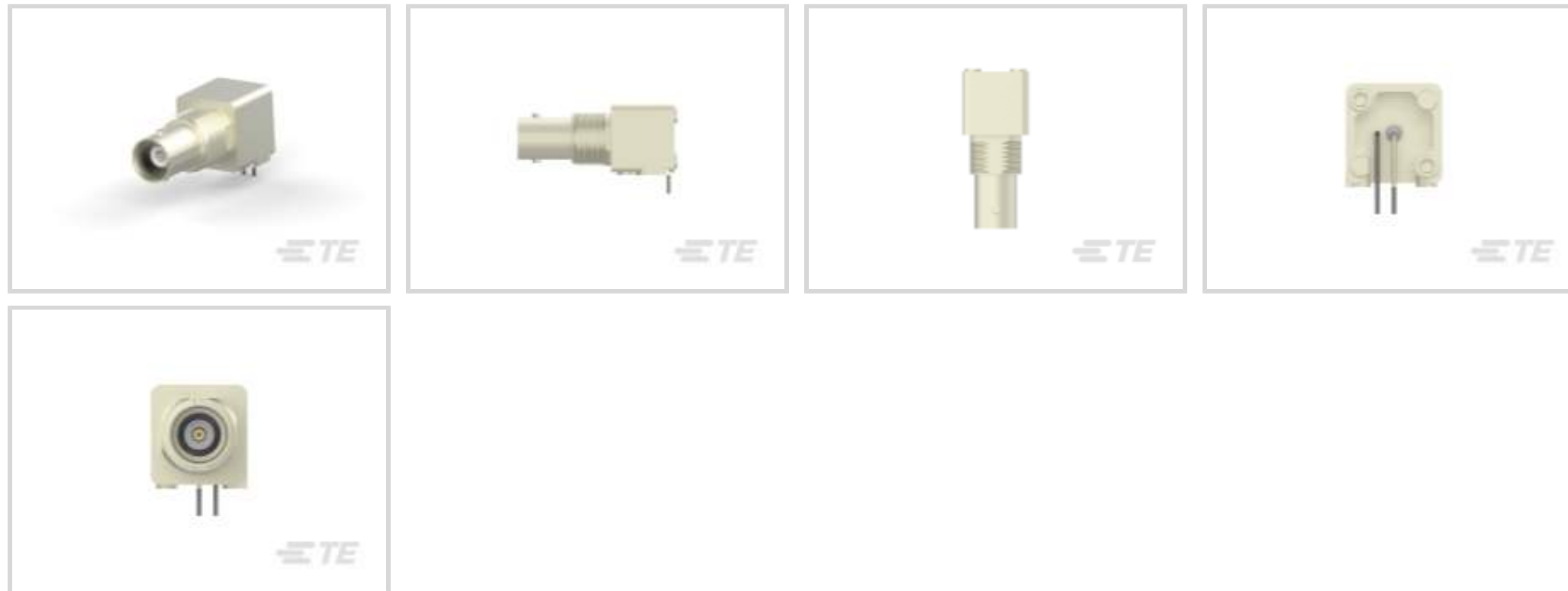
5227433-1 ✓ ACTIVE



TE Internal #: 5227433-1  
BNC RF Interface, Jack, 50  $\Omega$ , Bayonet, 4 GHz Operating  
Frequency, Cable-to-Board, 1 Position, Printed Circuit Board, Panel  
Mount

[View on TE.com >](#)

Connectors > RF Connectors > Coax Connectors > BNC Vertical Jack RF Connector, 50 Ohm, Bayonet Coupling Mechanism



RF Interface: **BNC**

RF Connector Style: **Jack**

RF Connector Mated Outer Diameter (Approximate): **14.53 mm [ .572 in ]**

Impedance: **50  $\Omega$**

RF Connector Coupling Mechanism: **Bayonet**

[All BNC Vertical Jack RF Connector, 50 Ohm, Bayonet Coupling Mechanism \(32\)](#)

## Features

### Product Type Features

RF Interface	BNC
RF Connector Style	Jack
Connector System	Cable-to-Board
Sealable	No
Connector & Contact Terminates To	Printed Circuit Board

### Configuration Features

PCB Mount Orientation	Vertical
Number of Positions	1
Number of Coaxial Contacts	1

### Electrical Characteristics

Impedance	50 $\Omega$
-----------	-------------

### Body Features

Body Material	Zinc
---------------	------



Body Plating Material	Nickel
-----------------------	--------

### Contact Features

RF Connector Center Contact Underplating Material	Nickel
	5080 $\mu$ m
RF Connector Center Contact Plating Material	Tin
RF Connector Center Contact Material	Phosphor Bronze

### Termination Features

Termination Post & Tail Length	4.1 mm[.162 in]
Termination Method to Printed Circuit Board	Through Hole - Solder

### Mechanical Attachment

Panel Attachment Style	Rear Mount
PCB Mount Retention	Without
Panel Mount Feature Type	Lockwasher and Nut
RF Connector Coupling Mechanism	Bayonet
Connector Mounting Type	Panel Mount
RF Contact Captivation Method	Mechanical
Detent	Without

### Dimensions

Profile Height from PCB	15.88 mm[.625 in]
RF Connector Mated Outer Diameter (Approximate)	14.53 mm[.572 in]

### Usage Conditions

Insulation Option	Uninsulated
Operating Temperature Range	-55 – 85 °C[-67 – 185 °F]

### Operation/Application

Operating Frequency	4 GHz
---------------------	-------

### Packaging Features

Packaging Method	Tray
------------------	------

### Other

RF Connector Comment	If an Insulating Bushing is required, see Part Number 330620.
Grade	Commercial
Dielectric Material	Polymethylpentene



## Product Compliance

[For compliance documentation, visit the product page on TE.com>](#)

EU RoHS Directive 2011/65/EU	Compliant
EU ELV Directive 2000/53/EC	Compliant
China RoHS 2 Directive MIIT Order No 32, 2016	No Restricted Materials Above Threshold
EU REACH Regulation (EC) No. 1907/2006	Current ECHA Candidate List: JUNE 2023 (235) Candidate List Declared Against: JUNE 2023 (235) Does not contain REACH SVHC
Halogen Content	Low Halogen - Br, Cl, F, I < 900 ppm per homogenous material. Also BFR/CFR/PVC Free
Solder Process Capability	Wave solder capable to 265°C

### Product Compliance Disclaimer

This information is provided based on reasonable inquiry of our suppliers and represents our current actual knowledge based on the information they provided. This information is subject to change. The part numbers that TE has identified as EU RoHS compliant have a maximum concentration of 0.1% by weight in homogenous materials for lead, hexavalent chromium, mercury, PBB, PBDE, DBP, BBP, DEHP, DIBP, and 0.01% for cadmium, or qualify for an exemption to these limits as defined in the Annexes of Directive 2011/65/EU (RoHS2). Finished electrical and electronic equipment products will be CE marked as required by Directive 2011/65/EU. Components may not be CE marked. Additionally, the part numbers that TE has identified as EU ELV compliant have a maximum concentration of 0.1% by weight in homogenous materials for lead, hexavalent chromium, and mercury, and 0.01% for cadmium, or qualify for an exemption to these limits as defined in the Annexes of Directive 2000/53/EC (ELV). Regarding the REACH Regulation, the information TE provides on SVHC in articles for this part number is based on the latest European Chemicals Agency (ECHA) 'Guidance on requirements for substances in articles' posted at this URL: <https://echa.europa.eu/guidance-documents/guidance-on-reach>

## Compatible Parts

 <p>TE Part # CAT-076-BNCJKISG50 BNC RF Connector: Jack Assembly, Isolated Ground Protection, 50 Ohm</p>	 <p>TE Part # CAT-076-BNCJKSH50 BNC RF Connector: jack assembly - short, 50 Ohm, 4Ghz</p>	 <p>TE Part # 5227426-1 BNC BLKHD RECPT SEALED</p>	 <p>TE Part # 5413771-3 JACK BLKHD,COML BNC,HEX CRIMP</p>
---	--	---	--




TE Part # 1-5227079-6  
COMM BNC PLUG



TE Part # 5413779-3  
COML BNC,50 OHM, HEX CRIMP



TE Part # 5227169-5  
BNC - SOLDER RECEPT



TE Part # 5227169-7  
BNC SOLDER JACK RECEPTACLE



TE Part # 5227169-8  
BNC - SOLDER RECEPT



TE Part # 5228979-7  
JACK,COML,SERIES BNC,GOLD PL



TE Part # 5228980-6  
JACK,BHD,COML,SERIES BNC,GOLD



TE Part # 5227079-5  
COMM BNC PLUG



TE Part # 5227079-6  
COMM. BNC-PLUG



TE Part # 8-5227079-2  
COMM BNC PLUG



TE Part # 1-5227079-1  
COMM BNC PLUG



TE Part # 228979-7  
JACK,COML,SERIES BNC,GOLD PL



TE Part # 413779-3  
COML BNC,50 OHM, HEX CRIMP



TE Part # 5228980-7  
JACK,BHD,COML,SERIES BNC,GOLD



TE Part # 5330876  
BNC PLUG



TE Part # 228979-6  
JACK,COML,SERIES BNC,GOLD PL

### Customers Also Bought



TE Part #640250-2  
02P SL156 HSG W/LCK RAMP NATL



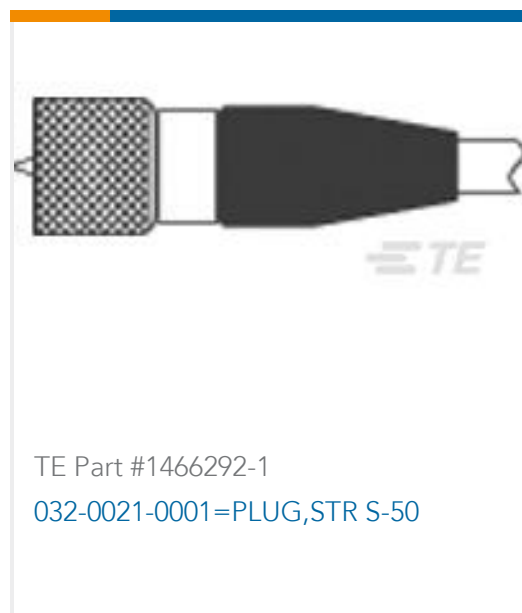
TE Part #2-1879233-9  
SMW5 1R5 5%



TE Part #1761028-1  
26 50SR R/A RCPT ASSY,LEAD FREE



TE Part #58074-1  
MTA 50/100/156 MANUAL TOOL FRAME



## Documents

### Product Drawings

#### BNC PCB JACK BLKHD ASSY

English

### CAD Files

#### 3D PDF

3D

#### Customer View Model

[ENG\\_CVM\\_CVM\\_5227433-1\\_A.2d\\_dxf.zip](#)

English

#### Customer View Model

[ENG\\_CVM\\_CVM\\_5227433-1\\_A.3d\\_igs.zip](#)

English

#### Customer View Model

[ENG\\_CVM\\_CVM\\_5227433-1\\_A.3d\\_stp.zip](#)

English

By downloading the CAD file I accept and agree to the [Terms and Conditions](#) of use.

### Product Specifications

#### Product Specification

English

### Product Environmental Compliance

#### Product Compliance

English

#### Product Compliance

English

5227433-1

BNC RF Interface, Jack, 50  $\Omega$ , Bayonet, 4 GHz Operating Frequency, Cable-to-Board,  
1 Position, Printed Circuit Board, Panel Mount

