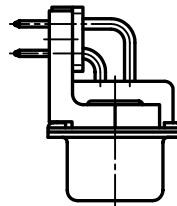
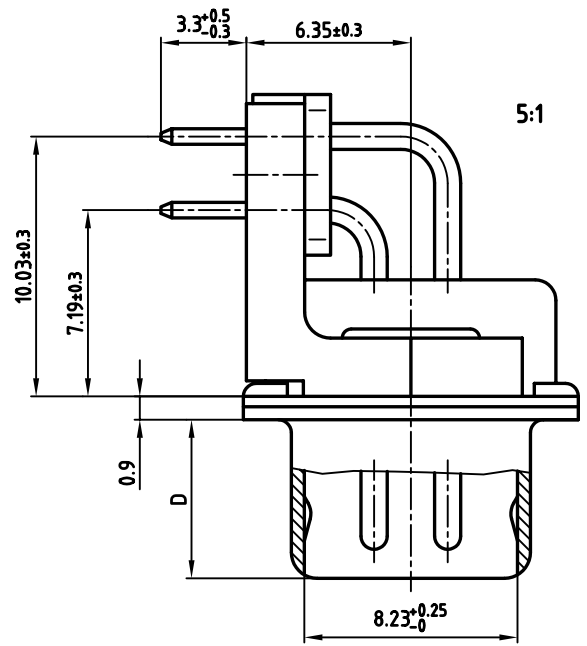
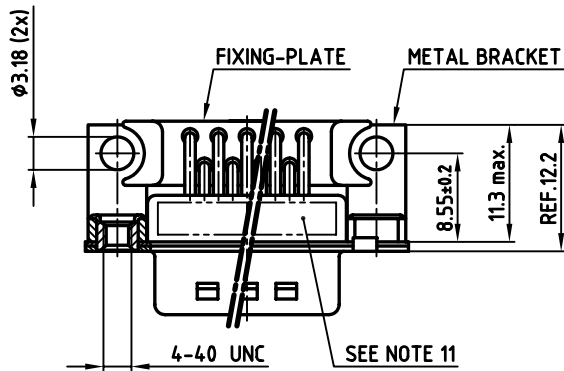
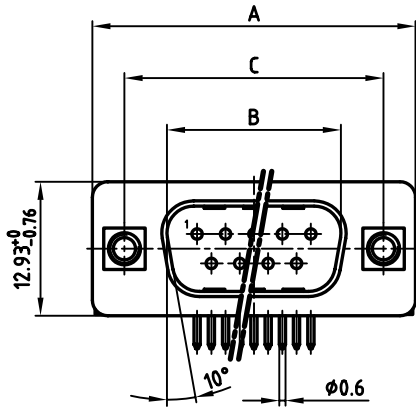


| No. of pos. | A ^{-0.76} | B ^{+0.25} | C | D ^{-0.3} | Part NO. |
|-------------|--------------------|--------------------|------------------------------|-------------------|-------------------|
| 9 | 31.19 | 16.79 | 25.00 ^{+0.12/-0.13} | 6.12 | 241A12400X |
| 15 | 39.52 | 25.12 | 33.30 ^{+0.15/-0.1} | 6.12 | 241A12410X |
| 25 | 53.42 | 38.84 | 47.04 ^{+0.13} | 5.99 | 241A12420X |
| 37 | 69.70 | 55.30 | 63.50 ^{+0.13} | 5.99 | 241A12430X |



NOTES:

- METALSHELLS: STEEL; min. 315µin TIN over 40-80µin NICKEL
- INSULATORS: HIGH TEMPERATURE PLASTIC UL 94 V-0, BLACK
- CONTACTS: COPPER ALLOY
PLATING: 8µin HARD GOLD OVER min. 50µin NICKEL
CONTACT TAILS PRETINNED
- METAL BRACKET: ZINC DIE CAST; 300µin COPPER/40-120µin NICKEL/120-200µin TIN
- THREADED INSERT: COPPER ALLOY; min. 200µin TIN over 80µin NICKEL
- FIXING-PLATE: PBT GF UL 94 V-0, BLACK
- P.C.B. HOLE DRILLINGS ON SHEET 2
- CAPACITANCE: 830pF ±20%
- DIELECTRIC WITHSTANDING VOLTAGE: 424 VDC
- MAXIMUM TORQUE VALUE FOR THREAD: 6 in.LB
- CONNECTOR IS PART MARKED: PART-NO. CONEC ABC

Directive 2002/95 EC
RoHS
Compliant

APPROVAL # FREIGABE # DEBLOCAGE # AUTORIZACION # APPROVAL

CUSTOMER APPROVAL DATE:

NAME: TITLE:

COMPANY NAME:

APPROVAL # FREIGABE # DEBLOCAGE # AUTORIZACION # APPROVAL

THIS DRAWING MAY NOT BE COPIED OR REPRODUCED IN ANY WAY, AND MAY NOT BE PASSED ON TO A THIRD PARTY, WITHOUT WRITTEN PERMISSION. OWNERSHIP AND COPYRIGHT OF CONEC GmbH DO NOT ALTER CAD DRAWING BY HAND

| rev. | description | date | name |
|------|-------------|------|------|
| a | Origin | | |

| | | | |
|-----------|------------|--------------|---|
| tolerance | | scale: | 2:1 (5:1) |
| | dim. in mm | material: | SEE NOTES |
| 2006 | date | name | title: |
| drawn | 24.10. | Lehmenkühler | D-SUB FILTER MALE 90° |
| appd. | 24.10. | Mickenbecker | 9-37pos. 0.318inch |
| norm | DIN 41652 | | with threaded insert, metal bracket, fixing-plate |
| d-old | | | dwg no: AutoCAD 2006 |
| | | | DIN-A |
| | | | 3 |
| | | | sh:1/2 |
| | | | part no: SEE TABLE |

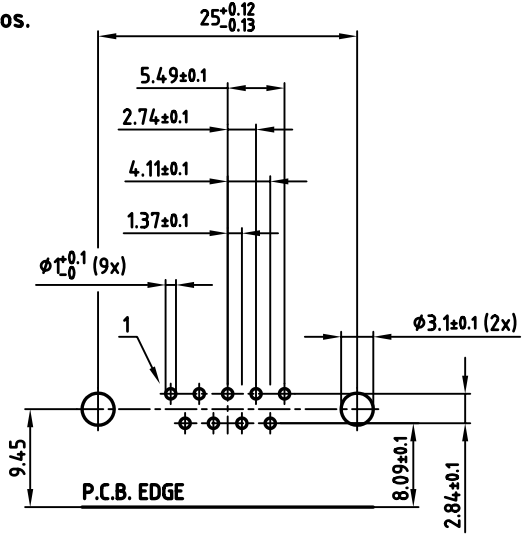


dwg no: AutoCAD 2006

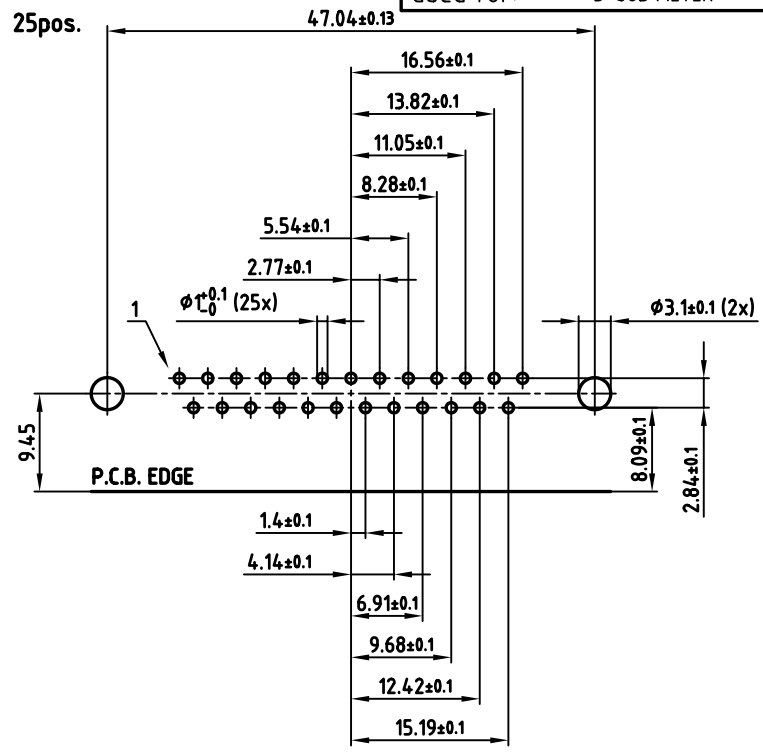
24K1A936

part no: SEE TABLE

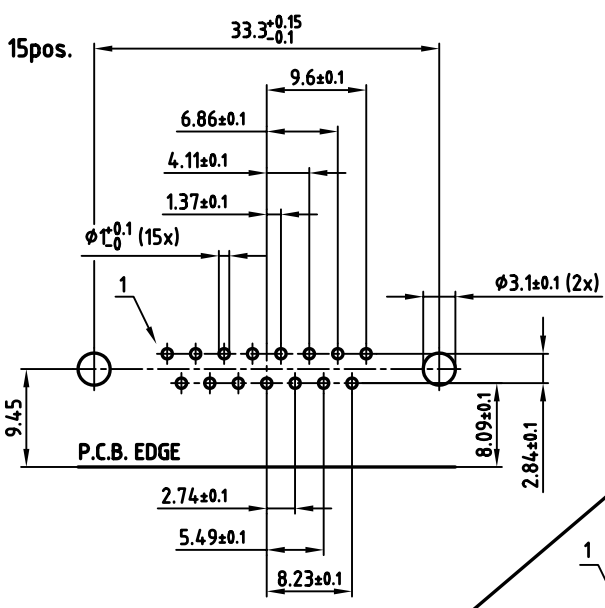
9pos.



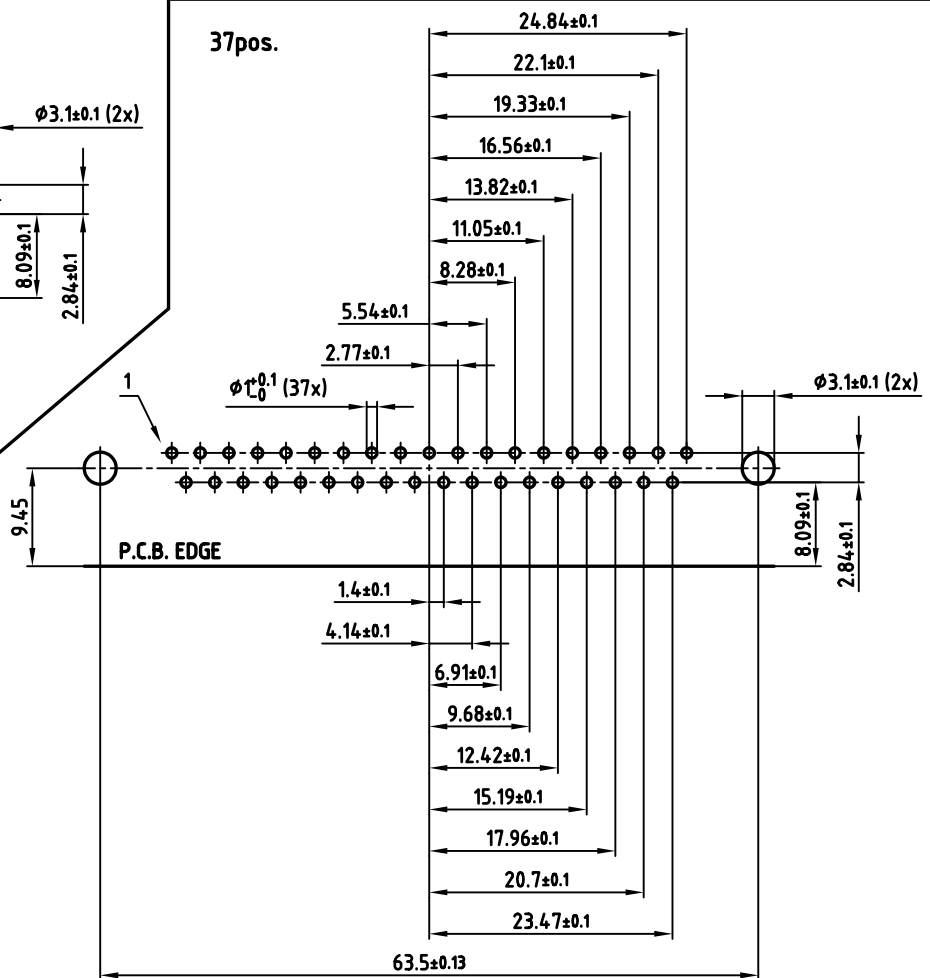
25pos.



15pos.



37pos.



used for: D-SUB FILTER

APPROVAL # FREIGABE # DEBLOCAGE # AUTORIZACION # APPROVAL

CUSTOMER APPROVAL DATE:

NAME: TITLE:

COMPANY NAME:

APPROVAL # FREIGABE # DEBLOCAGE # AUTORIZACION # APPROVAL

THIS DRAWING MAY NOT BE COPIED OR REPRODUCED IN ANY WAY, AND MAY NOT BE PASSED ON TO A THIRD PARTY, WITHOUT WRITTEN PERMISSION. OWNERSHIP AND COPYRIGHT OF CONEC GmbH DO NOT ALTER CAD DRAWING BY HAND

| rev. | description | date | name |
|------|-------------|------|------|
| a | Origin | | |

| | | | |
|-----------|------------|--------------|-------------|
| tolerance | | scale: | 2:1 |
| | dim. in mm | material: | SEE SHEET 1 |
| 2006 | date | name | |
| drawn | 24.10. | Lehmenkühler | |
| appd. | 24.10. | Mickenbecker | |
| norm | DIN 41652 | | |
| d-old | | | |

title: **P.C.B. HOLE DRILLINGS**
D-SUB FILTER MALE 90° 9-37pos. 0.318inch with threaded insert, metal bracket, fixing-plate

dwg no: AutoCAD 2006 DIN-A 3 sh:2/2

part no: **24K1A936** SEE SHEET 1