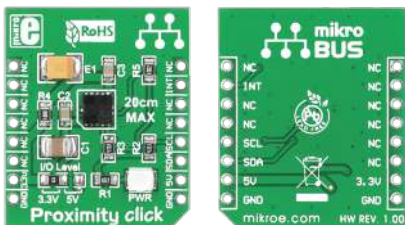


Proximity click™

1. Introduction



Proximity click™ is an accessory board in **mikroBUS™** form factor. It's a compact and easy solution for adding proximity sensor to your design. It features **VCNL4010** proximity and ambient light sensor. Proximity click™ communicates with the target board microcontroller via **mikroBUS™** I²C (SDA, SCL) and INT lines. The board is designed to use 3.3V power supply and 3.3V or 5V I/O voltage levels. LED diode (GREEN) indicates the presence of power supply.

2. Soldering the headers

Before using your click™ board, make sure to solder 1x8 male headers to both left and right side of the board. Two 1x8 male headers are included with the board in the package.



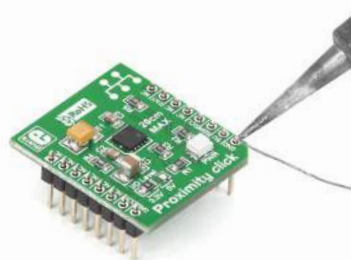
1

2

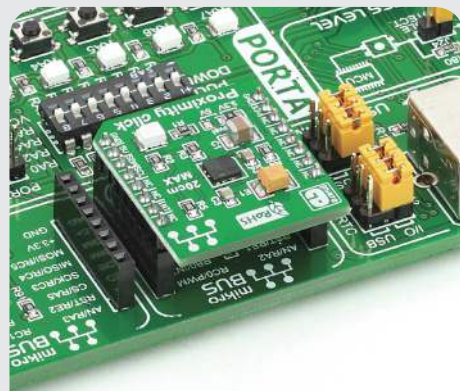


Turn the board upside down so that bottom side is facing you upwards. Place shorter pins of the header into the appropriate soldering pads.

3



Turn the board upward again. Make sure to align the headers so that they are perpendicular to the board, then solder the pins carefully.



4. Essential features

Proximity click™ with its **VCNL4010** IC combines an infrared emitter and PIN photodiode for proximity measurement with a range of up to 20cm. It can also be used as ambient light sensor. The **VCNL4010** has a 16bit resolution which ensures excellent cross talk immunity. All these features make this board ideal for consumer and industrial applications, mobile phones, digital camera, tablet PC application and many more.

3. Plugging the board in



Once you have soldered the headers your board is ready to be placed into desired mikroBUS™ socket. Make sure to align the cut in the lower-right part of the board with the markings on the silkscreen at the mikroBUS™ socket. If all of the pins are aligned correctly, push the board all the way into the socket.

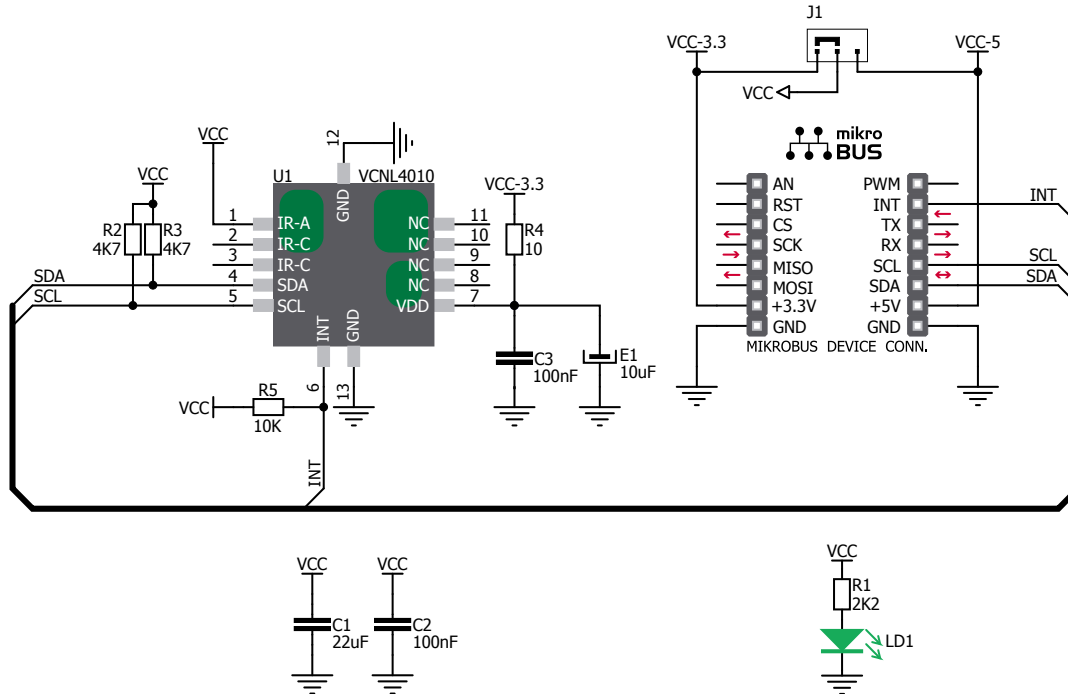
click™
BOARD
www.mikroe.com



Proximity click Manual
ver. 1.00



5. Proximity click™ Board Schematic



6. SMD Jumpers



There is one zero-ohm SMD jumper **J1** used to select whether 3.3V or 5V I/O voltage level is used. Jumper **J1** is soldered in 3.3V position by default.

7. Code Examples

Once you have done all the necessary preparations, it's time to get your click™ board up and running. We have provided the examples for mikroC™, mikroBasic™ and mikroPascal™ compilers on our **Libstock** website. Just download them and you are ready to start.



8. Support

MikroElektronika offers **Free Tech Support** (www.mikroe.com/esupport) until the end of product lifetime, so if something goes wrong, we are ready and willing to help!