

6

5

4

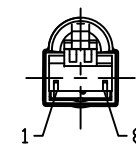
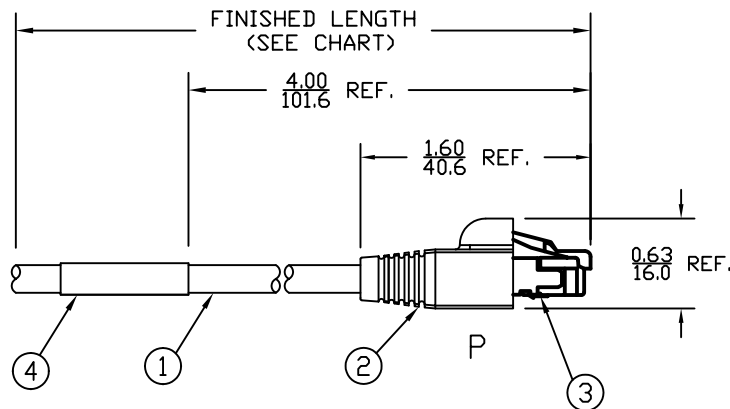
3

2

1

MATERIAL NUMBER	ENGINEERING NO.	LENGTH ± TOLERANCE
1300500392	ENSS2305M010	3' 3" +2.19"/-0" [1M +55.6/-0 mm]

AUX VIEW
SCALE 1:4



MALE - FACE VIEW

P1	
1	WHITE/GRN
2	GREEN
3	WHITE/ORG
4	BLUE
5	WHITE/BLUE
6	ORANGE
7	WHITE/BROWN
8	BROWN
SHLD	SHIELD

WIRING DIAGRAM

NOTES:

- 1) MATERIAL: SEE TABLE
- 2) FINISHES: SEE TABLE
- 3) CABLE: #26/8 SHIELDED TWISTED PAIR, PUR
- 4) ELECTRICAL DATA:
ACCORDING TO CAT5e ETHERNET STANDARD
MAX. VOLTAGE: 30V
MAX. CURRENT 1.5A
- 5) ENVIRONMENTAL:
PROTECTION IP67
TEMPERATURE RANGE: -20°C TO +80°C
- 6) WRAP LABEL IS MARKED WITH P/N & DATE CODE.
- 7) ASSEMBLY IS RoHS COMPLIANT.

ITEM	QTY.	DESCRIPTION	MATERIAL	FINISH
4	1	LABEL	PLASTIC FILM	BLACK/YELLOW
3	1	RJ45 PLUG	POLYCARBONATE	CLEAR
2	1	BOOT	PVC	BLACK
1	1	ETHERNET CABLE-CAT5E	PUR JACKET	BLACK

SD RELEASE EC NO: WNA2010-0442 DRWN: TVICKERS 2010/01/18 CHKD: BWOODMAN APPR: DTTITUS 2010/01/19	DESCRIPTION REV	QUALITY SYMBOLS ▽=0 ▽C=0	GENERAL TOLERANCES (UNLESS SPECIFIED)		DIMENSION STYLE IN/MM		SCALE 1:1	DESIGN UNITS INCH	THIRD ANGLE PROJECTION	
				mm	INCH	DRAWN BY DATE		TITLE		
			4 PLACES	±---	±---	BWOODMAN 2010/01/18		ETHERNET CABLE ASSY 8P M/M STD/STD 568A #24/8 SHIELDED CABLE		
			3 PLACES	±---	±0.005	APPROVED BY DATE		MOLEX INCORPORATED		
2 PLACES	±0.13	±0.010	DTITUS 2010/01/19		DOCUMENT NO.					
1 PLACE	±0.25	±0.020	ANGULAR ±1/2°		SHEET NO.					
DRAFT WHERE APPLICABLE MUST REMAIN WITHIN DIMENSIONS			SEE CHART		SD-130050-034			1 OF 1		
A			SIZE A		THIS DRAWING CONTAINS INFORMATION THAT IS PROPRIETARY TO MOLEX INCORPORATED AND SHOULD NOT BE USED WITHOUT WRITTEN PERMISSION					

6

5

4

3

2

1