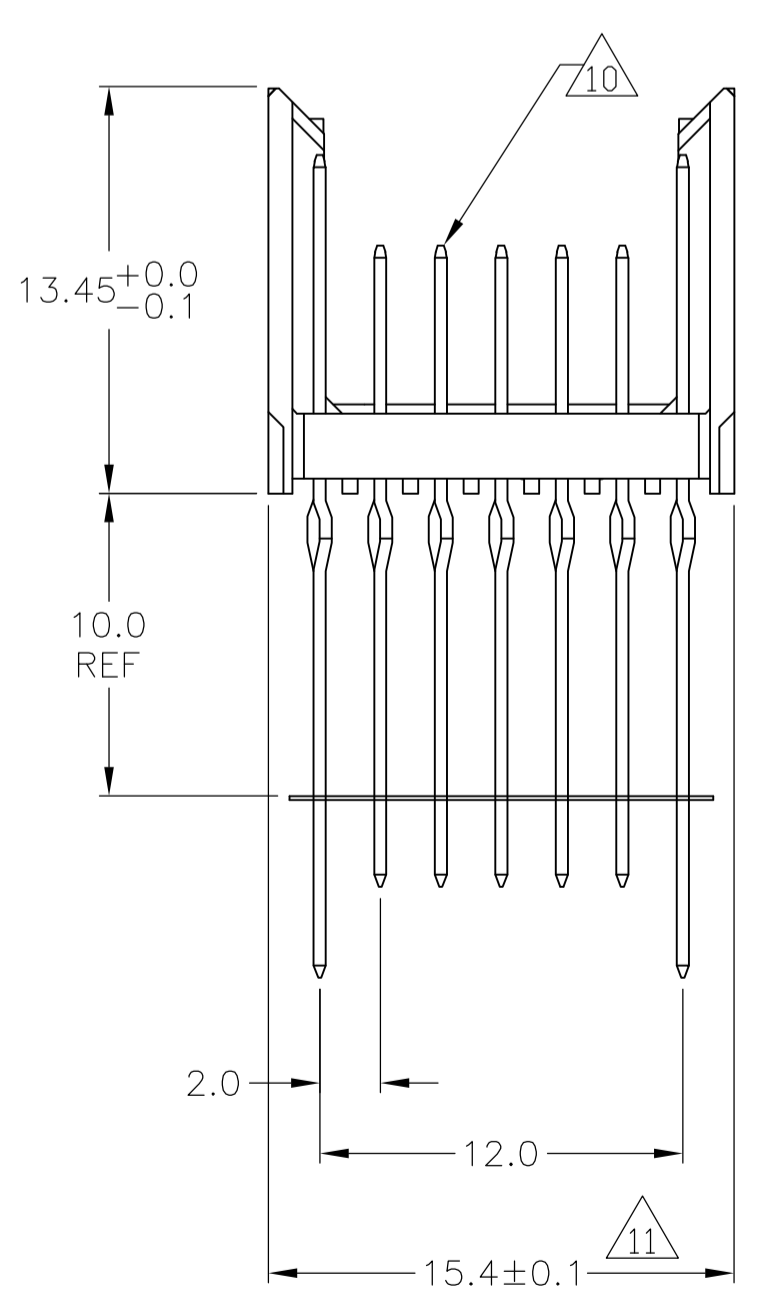
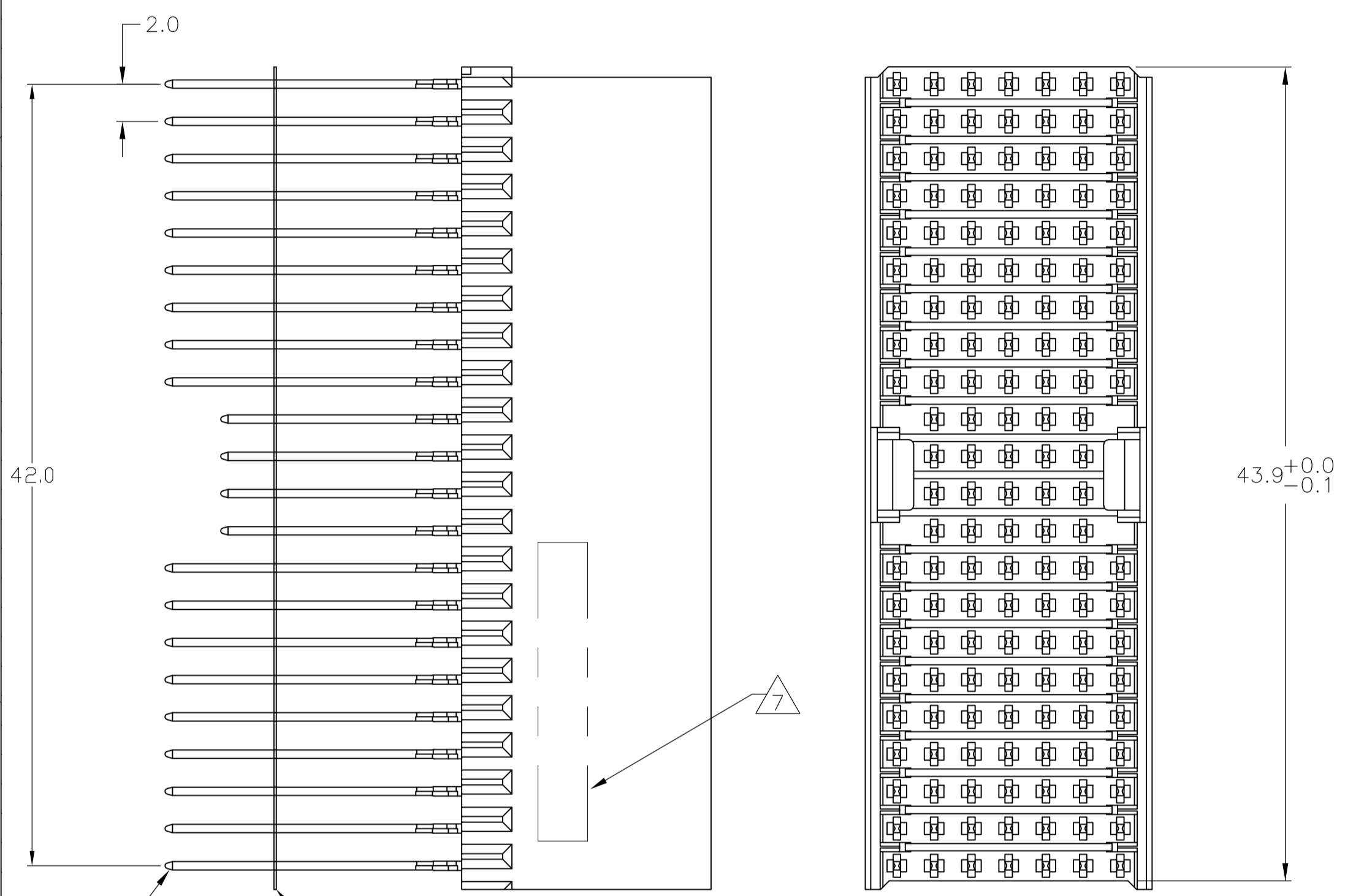
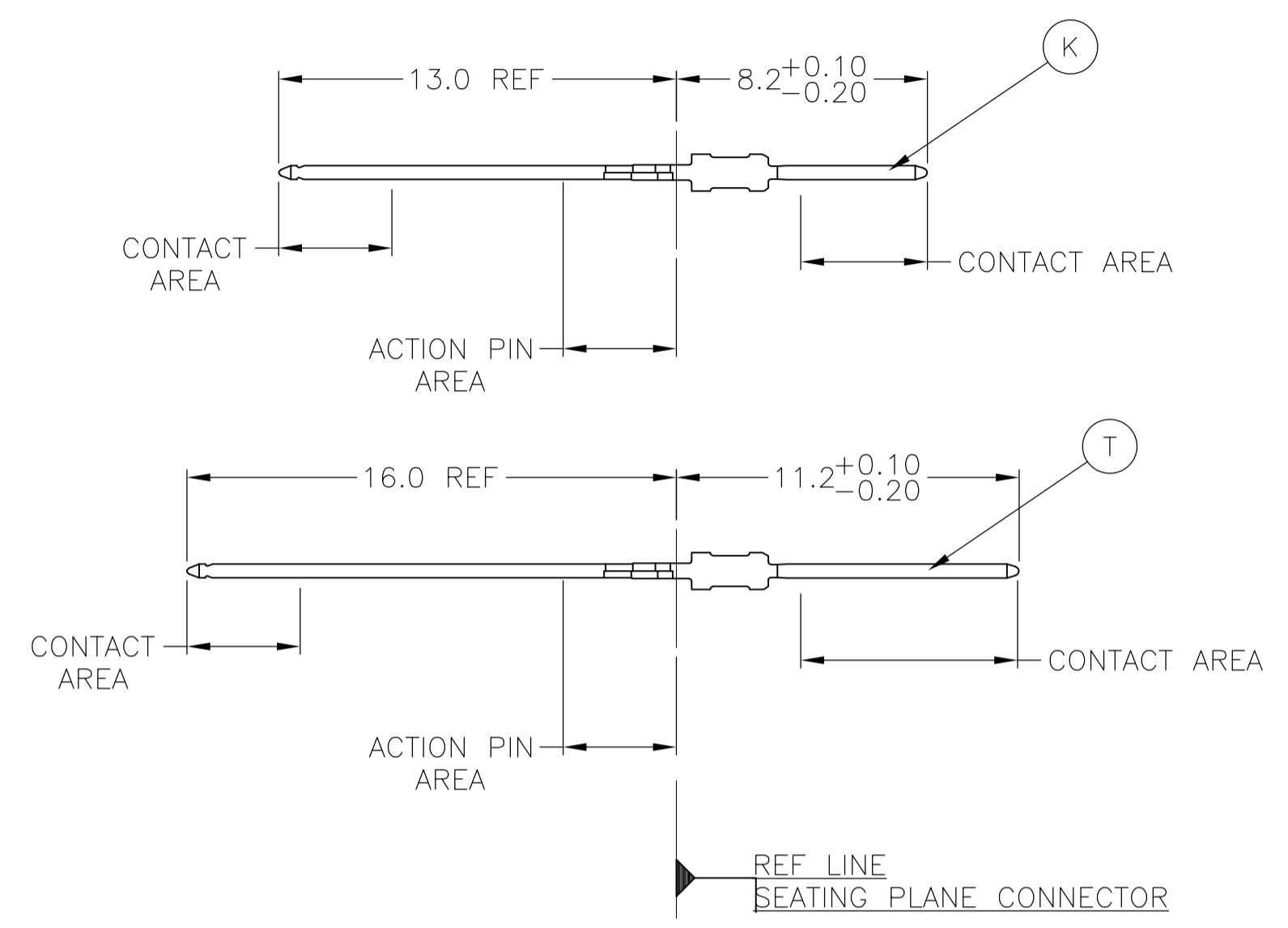


### CONNECTOR ASSEMBLY EXAMPLARY LOADED



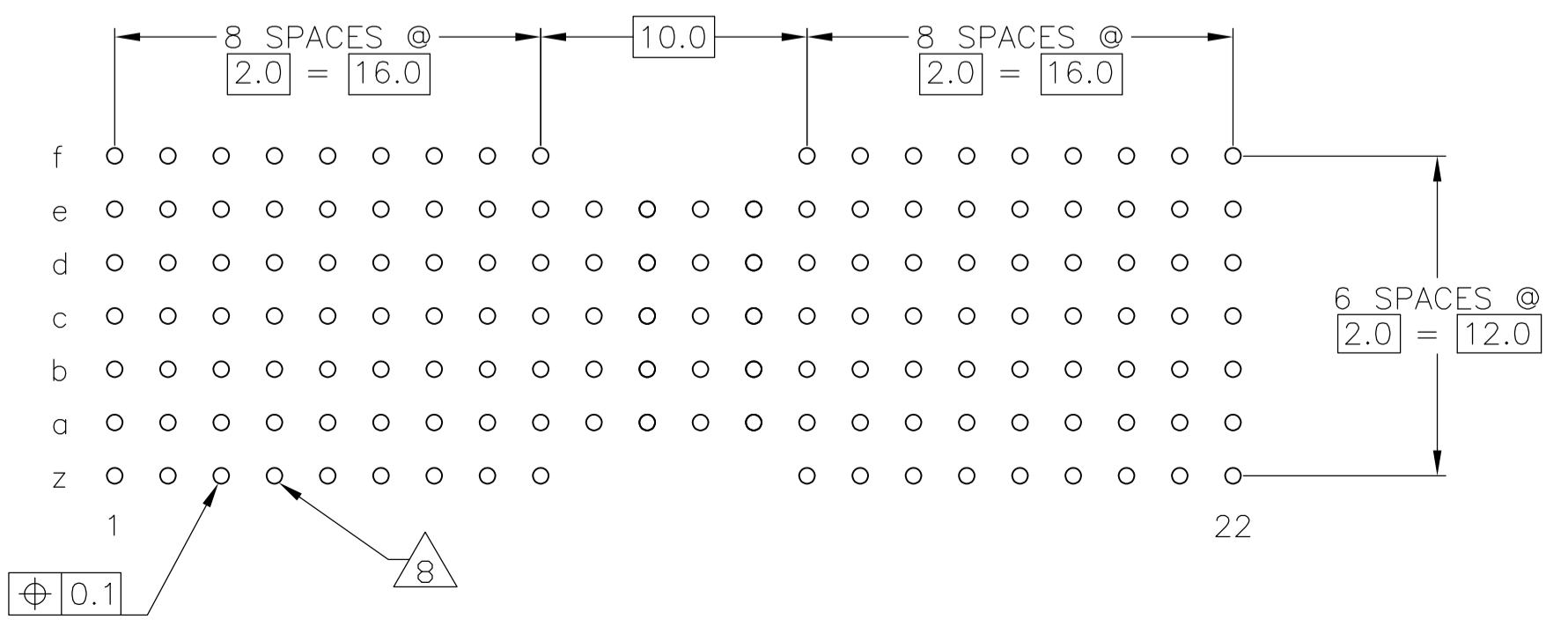
### CONTACT DIMENSIONS SCALE 5:1



### CONTACT LAYOUT

|    |   |   |   |   |   |   |   |
|----|---|---|---|---|---|---|---|
|    | z | a | b | c | d | e | f |
| 1  | T | K | K | K | K | K | T |
| 2  | T | K | K | K | K | K | T |
| 3  | T | K | K | K | K | K | T |
| 4  | T | K | K | K | K | K | T |
| 5  | T | K | K | K | K | K | T |
| 6  | T | K | K | K | K | K | T |
| 7  | T | K | K | K | K | K | T |
| 8  | T | K | K | K | K | K | T |
| 9  | T | K | K | K | K | K | T |
| 10 |   | K | K | K | K | K |   |
| 11 |   | K | K | K | K | K |   |
| 12 |   | K | K | K | K | K |   |
| 13 |   | K | K | K | K | K |   |
| 14 | T | K | K | K | K | K | T |
| 15 | T | K | K | K | K | K | T |
| 16 | T | K | K | K | K | K | T |
| 17 | T | K | K | K | K | K | T |
| 18 | T | K | K | K | K | K | T |
| 19 | T | K | K | K | K | K | T |
| 20 | T | K | K | K | K | K | T |
| 21 | T | K | K | K | K | K | T |
| 22 | T | K | K | K | K | K | T |

### RECOMMENDED PCB-HOLE LAYOUT COMPONENT SIDE SHOWN



### PLATED THRU HOLES PARAMETERS REFERENCE APPLICATION SPECIFICATION

|        |             |
|--------|-------------|
| 2 6 12 | 1-5646735-9 |
| 2 5 12 | 5646735-9   |
| 2 4 4  | 5646735-4   |
| 2 3 3  | 5646735-1   |
| FINISH | PART NUMBER |

|  |       |                  |         |  |  |
|--|-------|------------------|---------|--|--|
| THIS DRAWING IS A CONTROLLED DOCUMENT. |       | DIN B CARBO      | OBSEPOS | Tyco Electronics Corporation           |  |
| DIMENSIONS: mm                         |       | CIK G SKIPPER    | OBSEPOS | Harrisburg, Pa 17105-3608              |  |
| TOLERANCES UNLESS OTHERWISE SPECIFIED: |       | APVD G SKIPPER   | OBSEPOS | NAME                                   |  |
| 0 PLC                                  | ± -   | PRODUCT SPEC     |         | MALE ASSEMBLY, Z-PACK 2mm HM, TYPE A/B |  |
| 1 PLC                                  | ± 0.1 | 108-19082        |         | SIZE                                   |  |
| 2 PLC                                  | ± -   | APPLICATION SPEC |         | CAGE CODE                              |  |
| 3 PLC                                  | ± -   | 114-19029        |         | DRAWING NO                             |  |
| 4 PLC                                  | ± -   | WEIGHT           |         | A1 00779                               |  |
| ANGLES                                 | ± -   | FINISH           |         | C=5646735                              |  |
| SEE TABLE                              |       | CUSTOMER DRAWING |         | SCALE 4:1 SHEET 1 OF 2 REV A           |  |

| LOC | DIST | REVISIONS   |      |    |      |
|-----|------|-------------|------|----|------|
| P   | LTR  | DESCRIPTION | DATE | DN | APVO |
| AD  | 00   | SEE SHEET 1 | -    | -  | -    |

- 1 MATERIAL:  
CONTACT: PHOSPHOR BRONZE.  
HOUSING: GLASS-FILLED POLYESTER.
- 2 GENERAL PLATING SPECIFICATION: UNDERPLATING  
(ENTIRE CONTACT): 1.27µm MIN NICKEL AND ACTION  
PIN: 0.5µm MIN TIN.  
FOR PLATING OF MATING SURFACES SEE APPLICABLE  
SPECIFICATION REFERENCE FOR EACH DASH NUMBER.
- 3 CONFORMS TO ALL TESTING ACCORDING TO IEC 61076-4-101  
PERFORMANCE LEVEL 2.
- 4 CONFORMS TO ALL TESTING ACCORDING TO IEC 61076-4-101  
PERFORMANCE LEVEL 1.
- 5 CONNECTOR TESTED AND QUALIFIED AGAINST TELCORDIA GR-1217-CORE QUALITY LEVEL 3,  
CENTRAL OFFICE APPLICATIONS.
- 6 CONNECTOR TESTED AND QUALIFIED AGAINST TELCORDIA GR-1217-CORE QUALITY LEVEL 3,  
UNCONTROLLED ENVIROMENT APPLICATIONS.
- 7 CONNECTOR MARKED WITH PART NUMBER AND DATE CODE.  
ADDITIONAL CHARACTERS OR MARKINGS, AS WELL AS THE LOCATION OF THE MARKINGS,  
MAY BE ADDED FOR TRACEABILITY BASED UPON MANUFACTURERS DISCRETION.
- 8 PLATED-THROUGH HOLES AT 2x2mm SQUARE GRID  
PATTERN DEFINED BY CONTACT LAYOUT.
- 9 FOR ACTUAL PIN LOADING SEE "CONTACT LAYOUT".
- 10 FOR ACTUAL PIN DIMENSIONS SEE "CONTACT DIMENSIONS".
- 11 TO BE MEASURED AT BOTTOM OF SHROUD.
- 12 CONNECTOR LUBRICATED WITH BELCORE APPROVED LUBRICANT,  
TECHNICAL REFERENCE: TR-NWT-001217 ISSUE 1, SEP 1992.

|  |  |   |         |                               |   |                           |                       |                    |
|--|--|---|---------|-------------------------------|---|---------------------------|-----------------------|--------------------|
| THIS DRAWING IS A CONTROLLED DOCUMENT. |  | DIN<br>E CARBO  | DBSEPOS |                               | Tyco Electronics Corporation<br>Harrisburg, Pa 17105-3608 |                           |                       |                    |
| DIMENSIONS:<br>mm                      |  | CIK<br>G SKIPPER  | DBSEPOS |                               | NAME<br>MALE ASSEMBLY, Z-PACK 2mm HM,<br>TYPE A/B         |                           |                       |                    |
|  |  | TOLERANCES UNLESS OTHERWISE SPECIFIED:<br>0 PLC ± -<br>1 PLC ± 0.1<br>2 PLC ± -<br>3 PLC ± -<br>4 PLC ± -<br>ANGLES ± ± - |         | APVO<br>G SKIPPER             | DBSEPOS   | PRODUCT SPEC<br>108-19082 |                       |                    |
| MATERIAL<br>SEE SHEET 1                |  | FINISH<br>SEE SHEET 1   |         | APPLICATION SPEC<br>114-19029 | SIZE<br>A1  | CAGE CODE<br>00779        | DRAWING NO<br>5646735 | RESTRICTED TO<br>- |
| CUSTOMER DRAWING                       |  |   |         | SCALE<br>4:1                  | SHEET<br>2  | OF<br>2                   | REV<br>A              |                    |