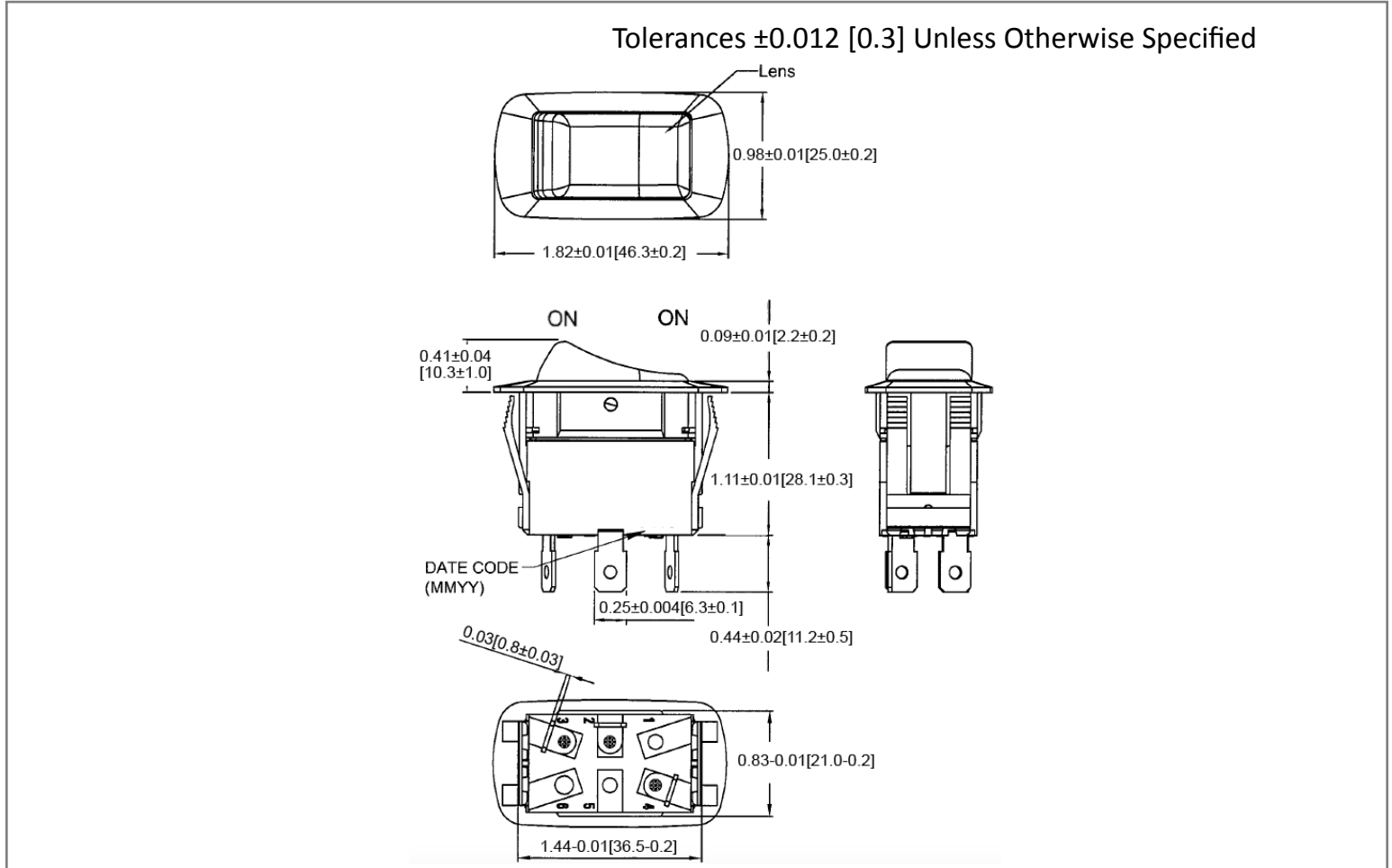
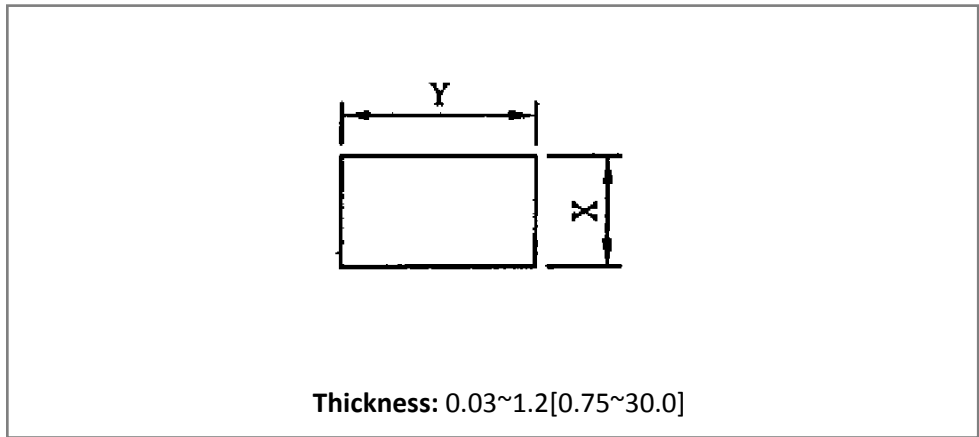


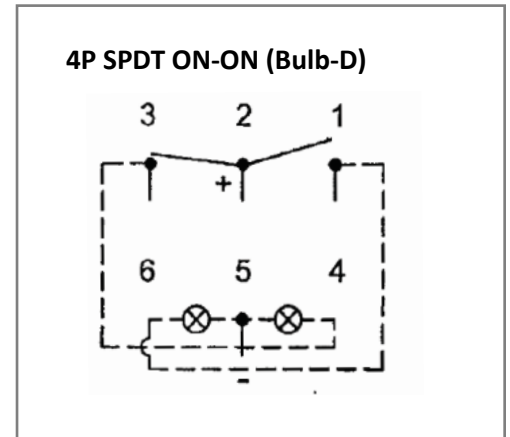
**Mechanical Dimensions: Inches [mm]**



**Mounting Hole**



**Circuit Diagram**



**Electrical Specifications**

<b>Rating</b>	21A 14V DC	
<b>Contact Resistance</b>	50m ohm Max	
<b>Insulation Resistance</b>	DC 500V 100M ohm Min	
<b>Dielectric Strength</b>	AC 1500V 1minute	
<b>Operation Temperature</b>	-20°C ~ 85°C	

**Material Specifications**

<b>Frame</b>	Black, Nylon #66
<b>Lamp</b>	Bulb 1: Red, 2: Green
<b>Lens</b>	Lens 1: Red. Lens 2: Green
<b>Actuator</b>	Black, Nylon 66 +33%GF

Rev	Date of issue	Revision Notes	Designed	Approved
B	02-26-2020	Initial Drawing	RC	OF