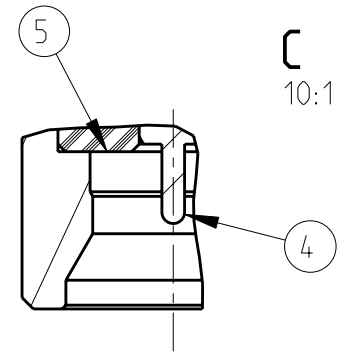
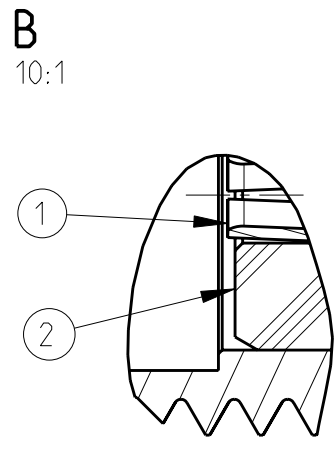
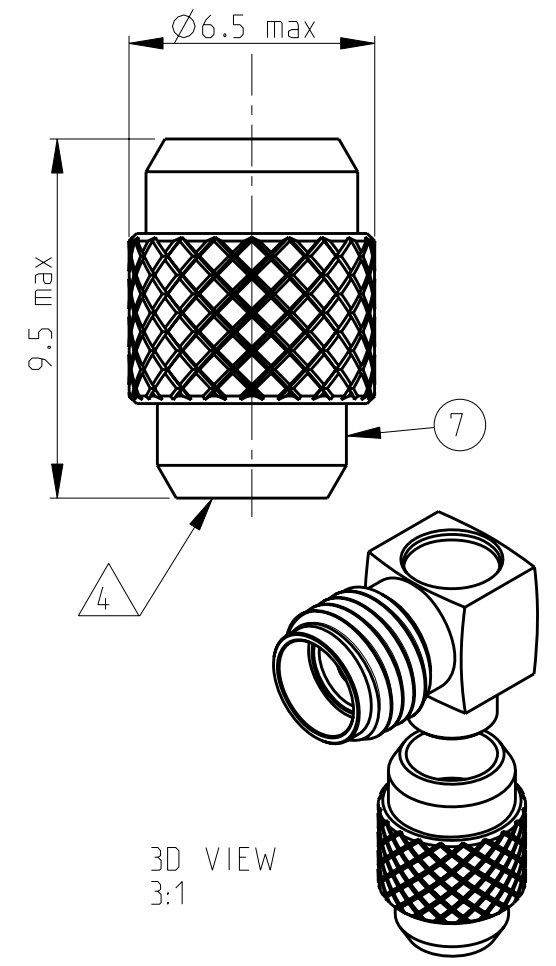
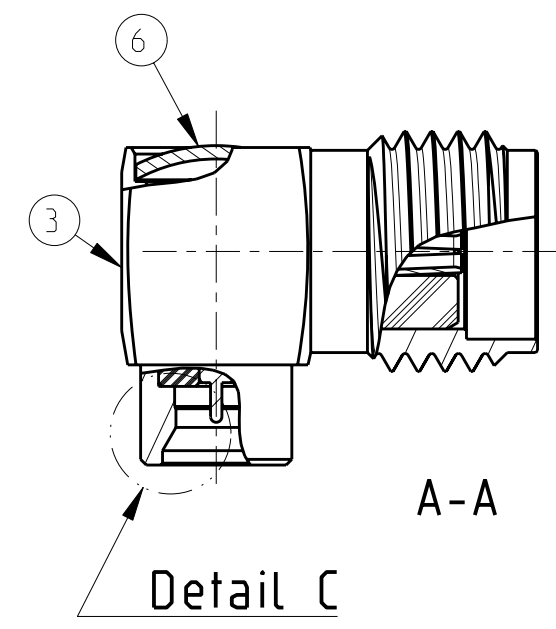
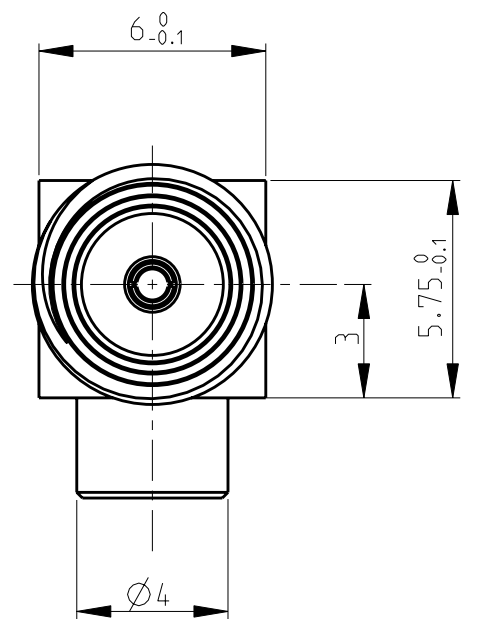
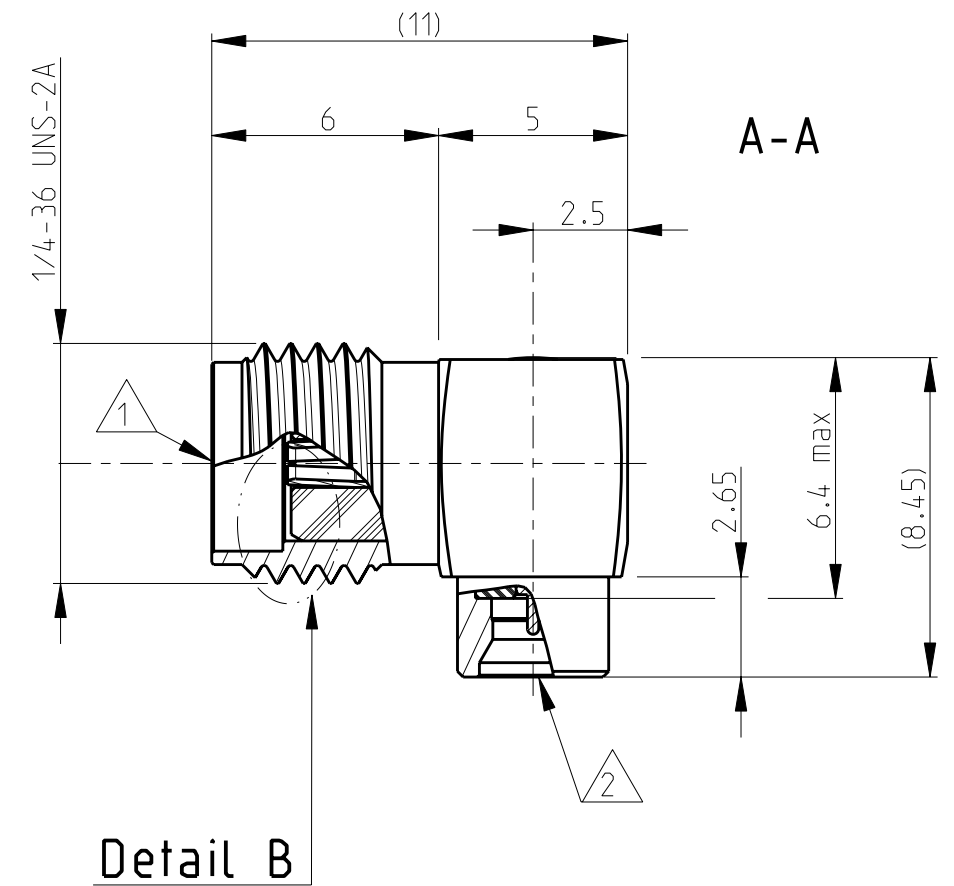


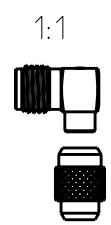
THIS DRAWING IS UNPUBLISHED. RELEASED FOR PUBLICATION
 © COPYRIGHT - BY TYCO ELECTRONICS CORPORATION. ALL RIGHTS RESERVED.

LOC	DIST	REVISIONS			
P	LTR	DESCRIPTION	DATE	DWN	APVD
IS	-	A	Release to production	18FEB2009	MS DB



TE P/N	ITEM NO.	PIECES	DESCRIPTION	MATERIAL	PLATING
619383-1	7	1	GUIDING SHELL	ALUMINIUM	Anodized
	6	1	CAP	BRASS	Ni
	5	1	DIELECTRIC	PTFE	None
	4	1	CENTER CONDUCTOR	BRASS	Au over NiP
	3	1	OUTER SHELL	BRASS	Au over NiP
	2	1	DIELECTRIC	PTFE	None
	1	1	CENTER CONDUCTOR	Bronze	Au over NiP

- 1 Interface according to IEC 169-15 / CECC 22110
- 2 Interface according to MIL-STD-348
- 3 General Tolerances ISO 2768-mK
- 4 Supplied as loose part



THIS DRAWING IS A CONTROLLED DOCUMENT FOR TYCO ELECTRONICS CORPORATION. IT IS SUBJECT TO CHANGE AND THE CONTROLLING ENGINEERING ORGANIZATION SHOULD BE CONTACTED FOR THE LATEST REVISION.

DIMENSIONS: mm	TOLERANCES UNLESS OTHERWISE SPECIFIED:	DWN M.Scheggia 27OCT2008	Tyco Electronics Tyco Electronics Lugano - Switzerland	
	0 PLC ± 1 PLC ± 2 PLC ± 3 PLC ± 4 PLC ± ANGLES ±	CHK D.Bozzer 27OCT2008	NAME Adapter SMPM - SMA Right Angle Jack - Jack	
MATERIAL see table	FINISH see table	APVD -	PRODUCT SPEC 108-71086	RESTRICTED TO -
			APPLICATION SPEC -	
			WEIGHT -	SIZE A3 CAGE CODE 00779 DRAWING NO. C=619383
			CUSTOMER DRAWING	SCALE 5:1 SHEET 1 OF 1 REV A