

THIS DRAWING IS UNPUBLISHED.

RELEASED FOR PUBLICATION

ALL RIGHTS RESERVED.

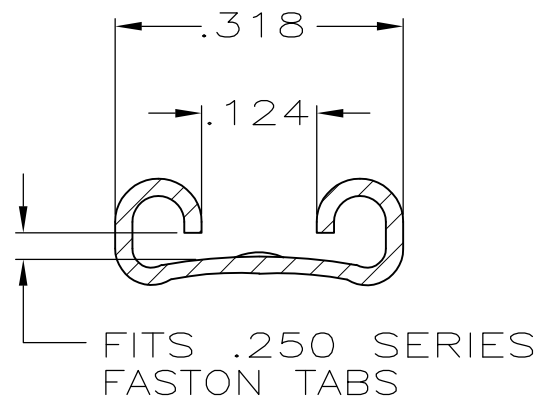
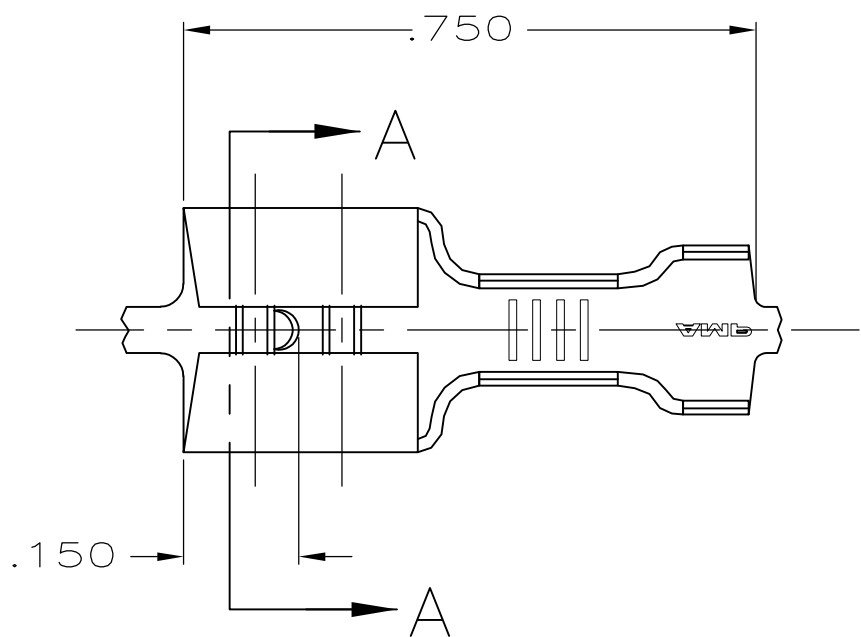
© COPYRIGHT - By -

LOC AF DIST 50

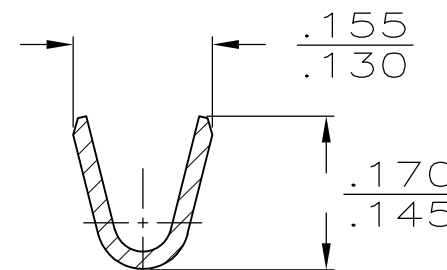
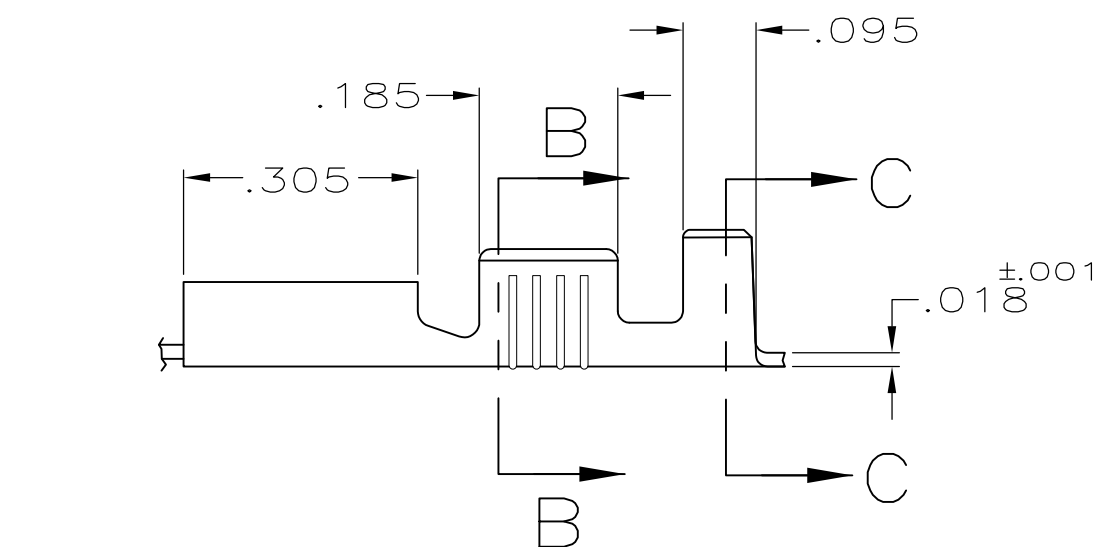
REVISIONS

P	LTR	DESCRIPTION	DATE	DWN	APVD
	M	REVISED PER ECR-12-013445	18OCT12	KH	PD

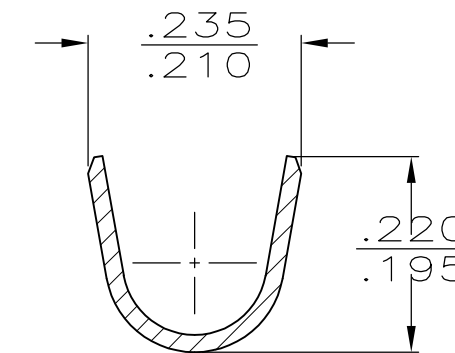
- 1 CONTINUOUS STRIP ON REELS.
- 2 MAX FIRST ENGAGEMENT FORCE, 20 LBS, USING GAGE 100505.
- 3 FEED TO BE $.840 \pm .005$.



SECTION A-A
SCALE 5:1



SECTION B-B
SCALE 5:1



SECTION C-C
SCALE 5:1

.120-.170 DIA	18-14 AWG	.032	41832
INSULATION RANGE	WIRE SIZE	MATING TAB THK ±.001	PART NO

THIS DRAWING IS A CONTROLLED DOCUMENT.		DWN JR RUTH 6/13/91	TE Connectivity RECEPTACLE, FASTON™ .250 SERIES											
DIMENSIONS: INCHES		CHK MS FEHER 6/13/91												
TOLERANCES UNLESS OTHERWISE SPECIFIED:		APVD C MEYERS 6/13/91												
<table border="0"> <tr><td>0 PLC</td><td>± -</td></tr> <tr><td>1 PLC</td><td>± -</td></tr> <tr><td>2 PLC</td><td>± -</td></tr> <tr><td>3 PLC</td><td>± .015</td></tr> <tr><td>4 PLC</td><td>± -</td></tr> <tr><td>ANGLES</td><td>± -</td></tr> </table>		0 PLC			± -	1 PLC	± -	2 PLC	± -	3 PLC	± .015	4 PLC	± -	ANGLES
0 PLC	± -													
1 PLC	± -													
2 PLC	± -													
3 PLC	± .015													
4 PLC	± -													
ANGLES	± -													
MATERIAL BRASS	FINISH TIN	PRODUCT SPEC -	APPLICATION SPEC -	RESTRICTED TO -										
		WEIGHT -	SIZE A3	CAGE CODE 00779	DRAWING NO C-41832									
		CUSTOMER DRAWING	SCALE 4:1	SHEET 1 OF 1	REV M									