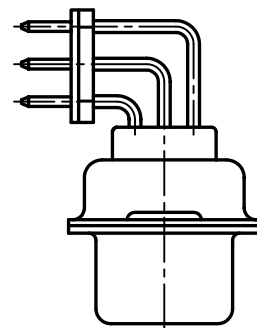
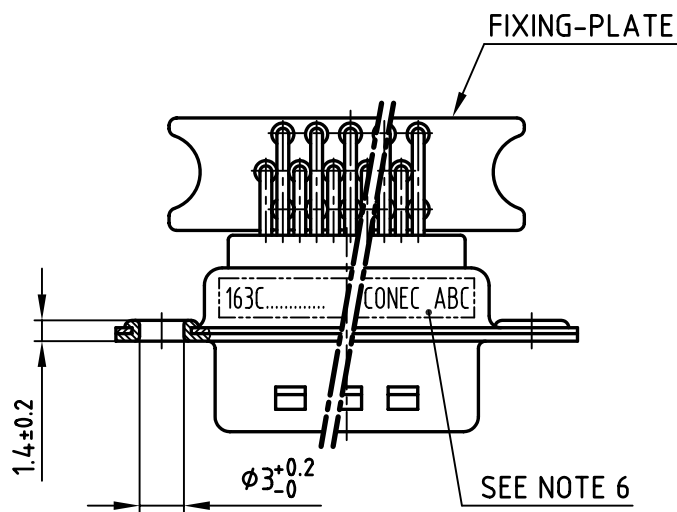
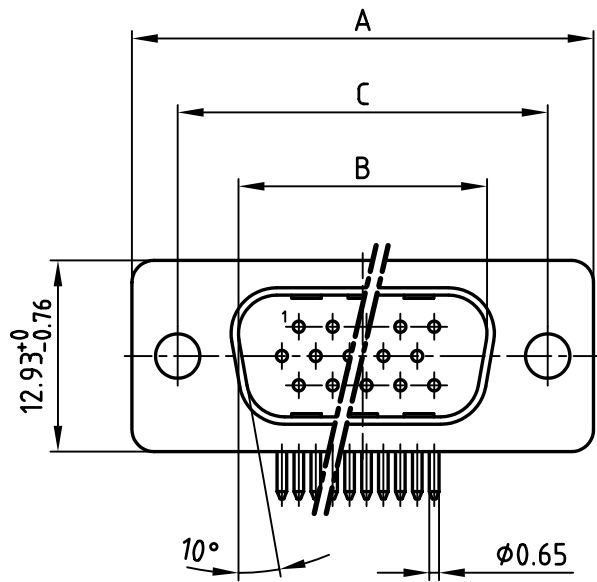
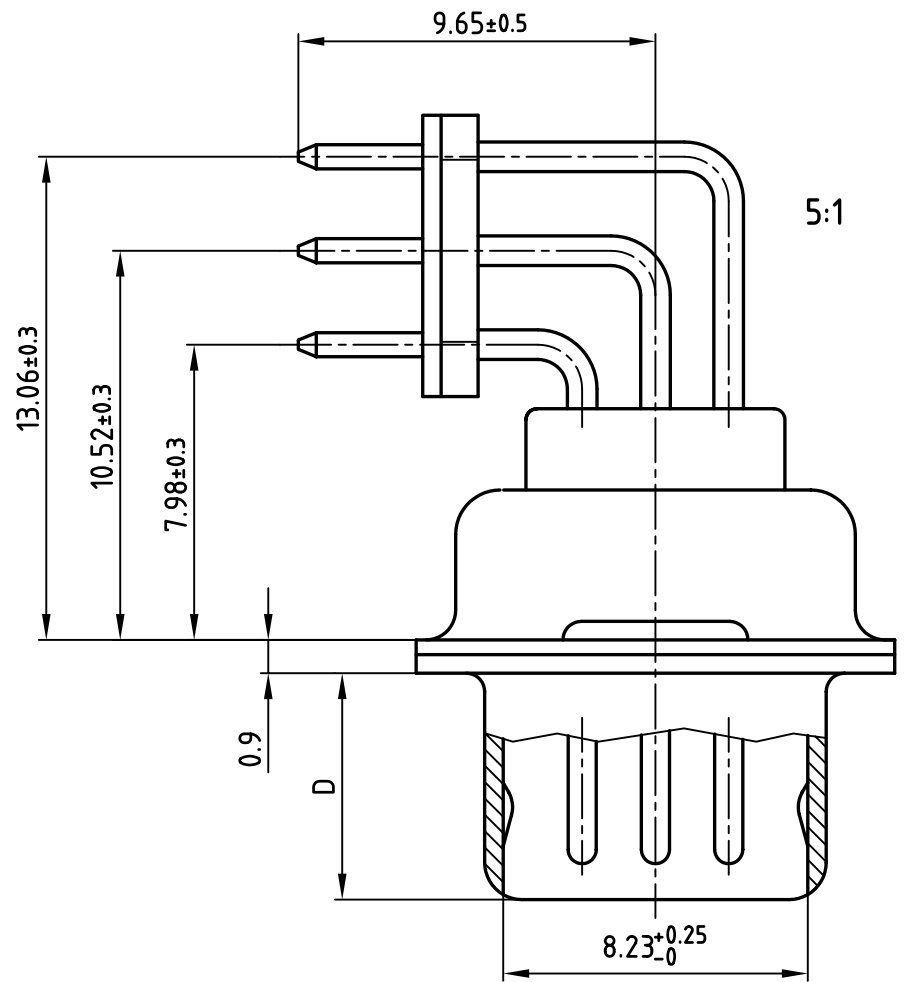


used for: D-SUB HD

POS.	A <sup>-0.76</sup>	B <sup>+0.25</sup>	C	D <sup>-0.3</sup>	Part NO.
15	31.19	16.79	25.00 <sup>+0.12</sup> <sub>-0.13</sub>	6.12	163C17479X
26	39.52	25.12	33.30 <sup>+0.15</sup> <sub>-0.1</sub>	6.12	163C17489X
44	53.42	38.84	47.04 <sup>+0.13</sup>	5.99	163C17499X
62	69.70	55.30	63.50 <sup>+0.13</sup>	5.99	163C17509X



**NOTES:**

- METALSHELLS: STEEL; min. 315µin TIN over 40-80µin NICKEL
- INSULATORS: PBT GF UL 94 V-0, BLACK
- CONTACTS: COPPER ALLOY  
PLATING: 30µin HARD GOLD OVER min. 50µin NICKEL
- FIXING-PLATE: PBT GF UL 94 V-0, BLACK
- P.C.B. HOLE DRILLINGS ON SHEET 2
- CONNECTOR IS PART MARKED: PART-NO. CONEC ABC



APPROVAL # FREIGABE # DEBLOCAGE # AUTORIZACION # APPROVAL

CUSTOMER APPROVAL DATE:

NAME: TITLE:

COMPANY NAME:

APPROVAL # FREIGABE # DEBLOCAGE # AUTORIZACION # APPROVAL

THIS DRAWING MAY NOT BE COPIED OR REPRODUCED IN ANY WAY, AND MAY NOT BE PASSED ON TO A THIRD PARTY WITHOUT WRITTEN PERMISSION. OWNERSHIP AND COPYRIGHT OF CONEC GmbH DO NOT ALTER CAD DRAWING BY HAND

rev.	description	date	name
a	Origin		

tolerance	dim. in mm
2008	date
drawn	24.10.
appd.	24.10.
norm	DIN 41652
d-old	

scale: 2:1 (5:1)

material: SEE NOTES

title: D-SUB HD MALE 90°  
15-62pos.  
with fixing-plate

dwg no: AutoCAD 2006

16K2A1966

part no: SEE TABLE

DIN-A 3 sh:1/2

6

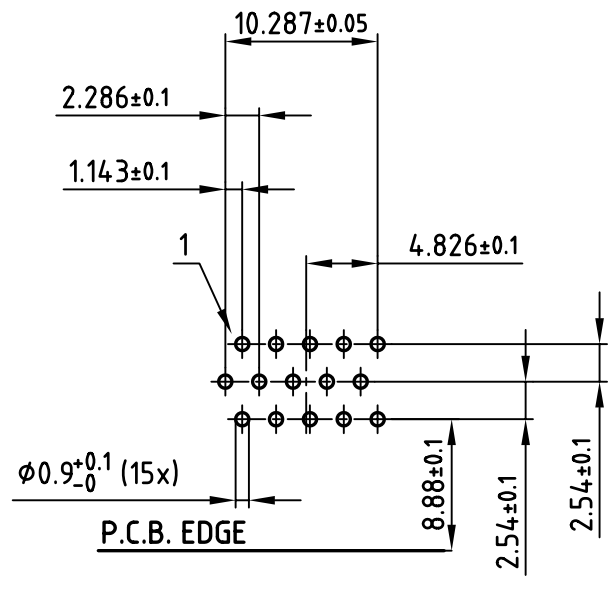
5

4

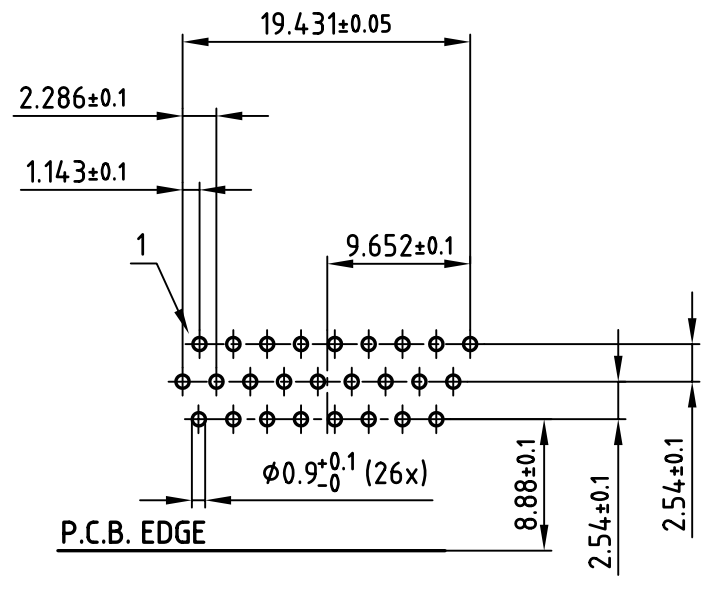
2

1

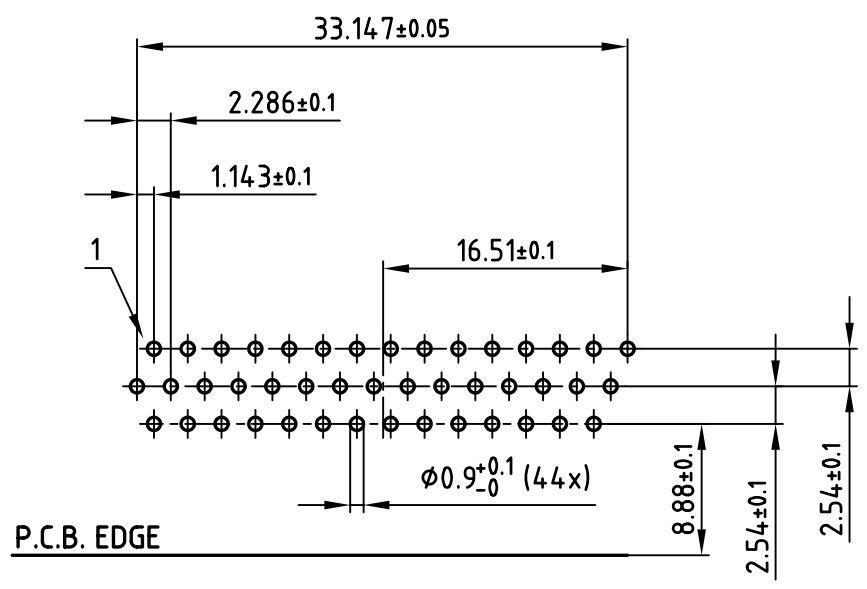
used for: D-SUB HD



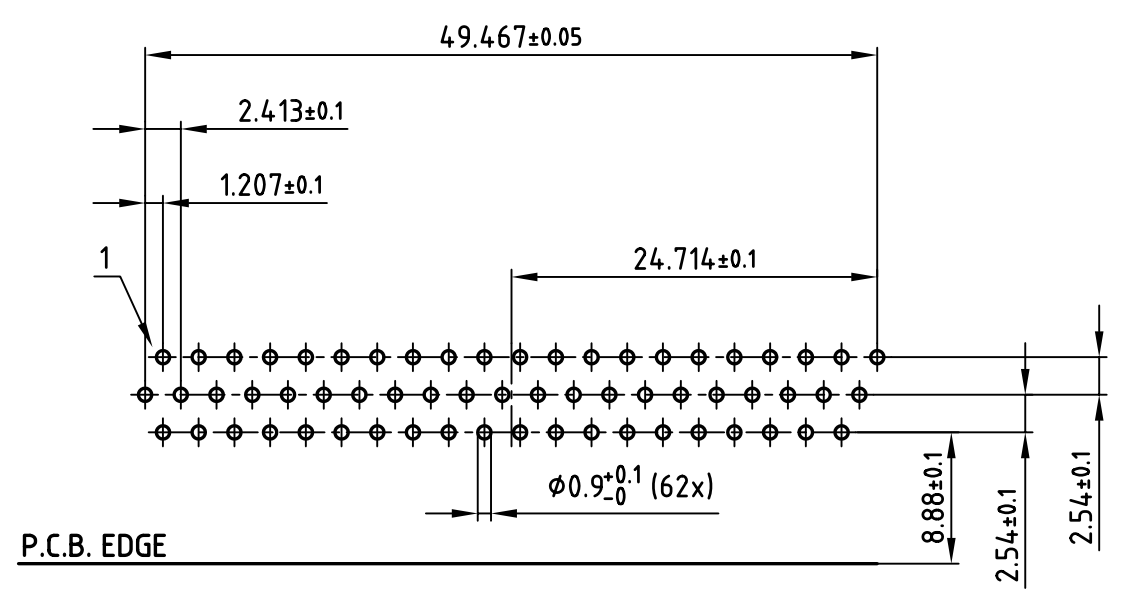
15pos.



26pos.



44pos.



62pos.

APPROVAL # FREIGABE # DEBLOCAGE # AUTORIZACION # APPROVAL

CUSTOMER APPROVAL DATE:

NAME: TITLE:

COMPANY NAME:

APPROVAL # FREIGABE # DEBLOCAGE # AUTORIZACION # APPROVAL

THIS DRAWING MAY NOT BE COPIED OR REPRODUCED IN ANY WAY, AND MAY NOT BE PASSED ON TO A THIRD PARTY WITHOUT WRITTEN PERMISSION. OWNERSHIP AND COPYRIGHT OF CONEC GmbH DO NOT ALTER CAD DRAWING BY HAND

tolerance		dim. in mm	scale: 2:1	
			material: SEE SHEET 1	
2008	date	title:		
drawn	24.10.	P.C.B. HOLE DRILLINGS		
appd.	24.10.	D-SUB HD MALE 90° 15-62pos.		
norm		with fixing-plate		
d-old		dwg no: AutoCAD 2006		
a	Origin	16K2A1966		
rev.	description	part no: SEE SHEET 1		
	date	DIN-A 3 sh:2/2		
	name			

