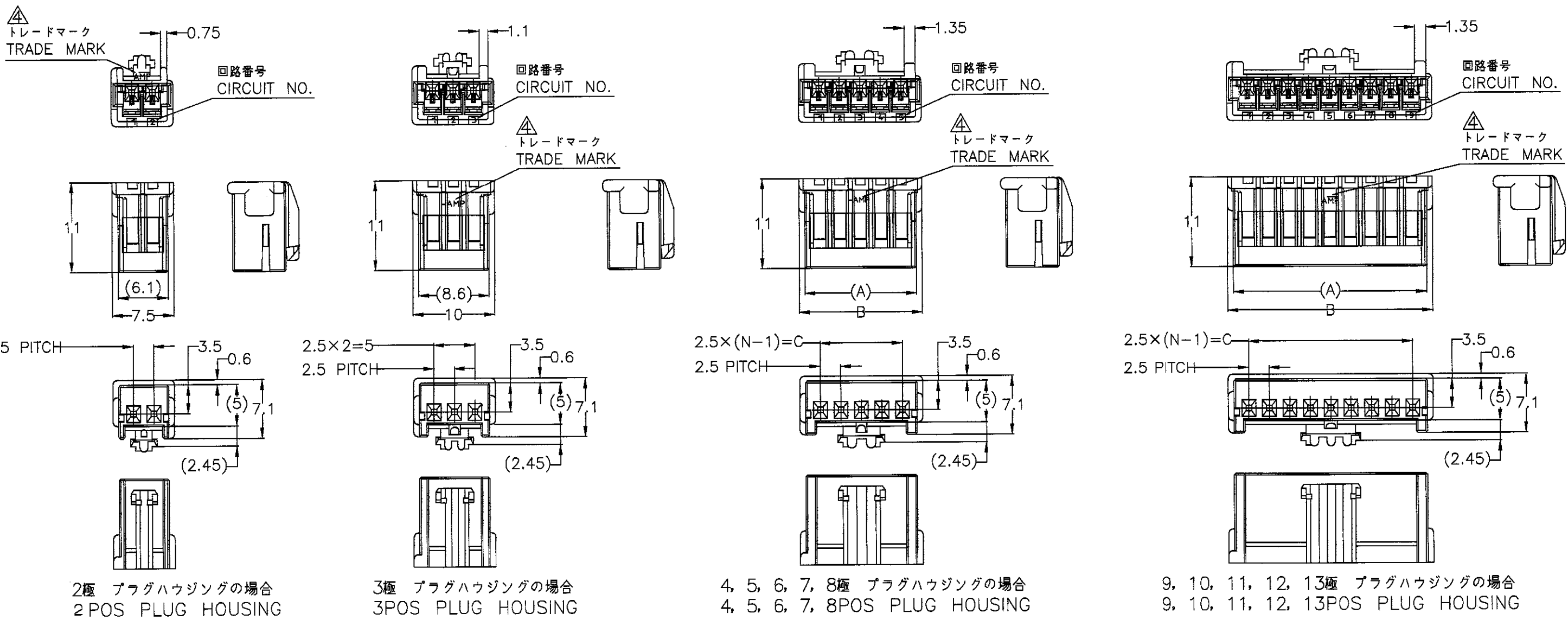


THIS DRAWING IS UNPUBLISHED. RELEASED FOR PUBLICATION
 © COPYRIGHT BY TYCO ELECTRONICS CORPORATION. ALL RIGHTS RESERVED.

LOC	DIST	REVISIONS					
J	-	P	LTR	DESCRIPTION	DATE	DWN	APVD
		B1		REVISED PER ECR-16-008042	16MAY2016	NK	NL



コネクタ外觀形状
 CONNECTOR APPEARANCE

表1
 TABLE 1

トレードマーク TRADE MARK	生産場所 MANUFACTURING PLACE
-AMP OR AMP	日本 JAPAN
-+AMP OR AMP	中国 CHINA(PRC)

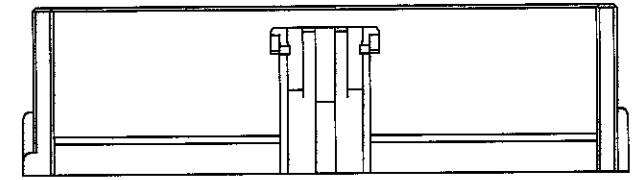
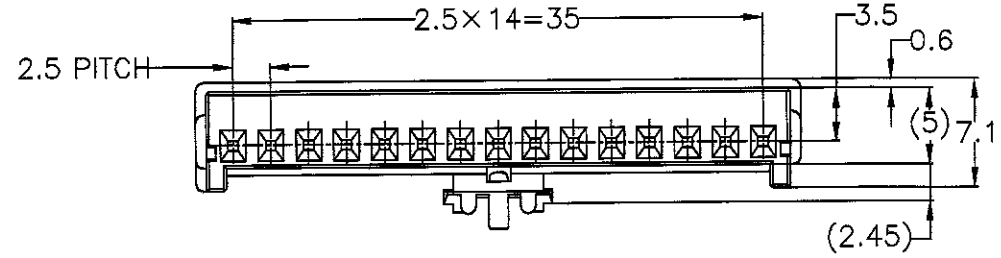
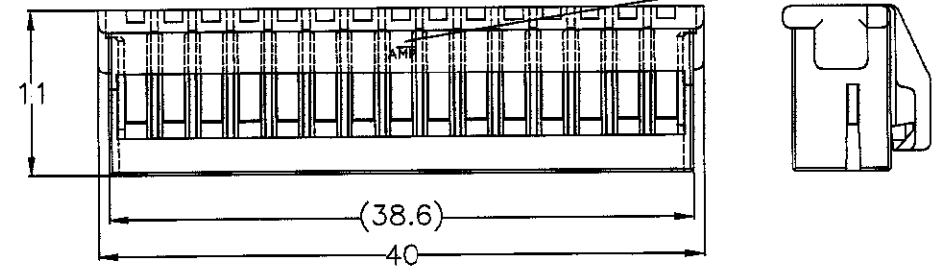
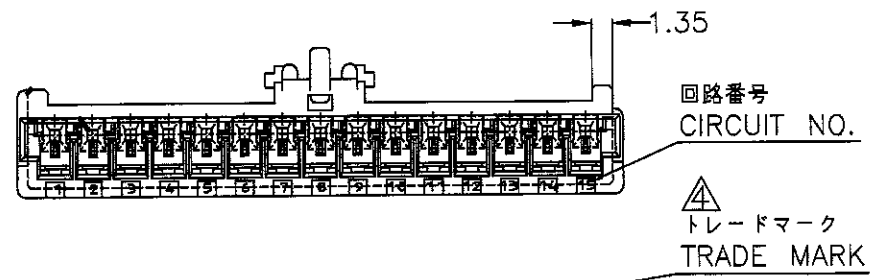
- 注記
 1. 材料; 66ナイロンガラス強化 (UL94V-0)
 2. 製品規格; 108-5459
 3. 取付適用規格; 114-5203
 4. 表1参照
 5. 取扱説明書; 411-5771
 6. 型番についてはSEET 2 OF 2 参照のこと

- NOTES
 1. MATERIAL; 66 NYLON GLASS FILLED (UL94V-0)
 2. PRODUCT SPEC; 108-5459
 3. APPLICATION SPEC; 114-5203
 4. SEE TABLE 1
 5. INSTRUCTION SHEET; 411-5771
 6. PART NUMBER REFER TO SHEET 2 OF 2

THIS DRAWING IS A CONTROLLED DOCUMENT.		DWN T.HATANO 13 MAR '00	TE Connectivity (ガラス強化品) 2.5mm シグナルダブルロック 2極 プラグハウジング (GLASS FILLED) 2.5mm SIGNAL DBL-LOCK 2P PLUG HSG	
DIMENSIONS: 単位: 概 MM		CHK N.YAMASAKI 13 MAR '00		
TOLERANCES UNLESS OTHERWISE SPECIFIED: 一般公差		APVD M.SHINDO 13 MAR '00	NAME 名称	
$10 \geq \pm 0.2$ $30 \geq 10 : \pm 0.25$ $100 \geq 30 : \pm 0.3$ ANGLE : $\pm 0.3^\circ$		PRODUCT SPEC 製品規格 SEE NOTE	SIZE A3	
MATERIAL 材料 SEE NOTE		APPLICATION SPEC 取付適用規格 SEE NOTE	CAGE CODE 00779	DRAWING NO 番号 C-1318989
FINISH 仕上		WEIGHT	RESTRICTED TO	
CUSTOMER DRAWING		SCALE 尺度 2:1		SHEET 1 OF 2
				REV B1

THIS DRAWING IS UNPUBLISHED. RELEASED FOR PUBLICATION
 © COPYRIGHT BY TYCO ELECTRONICS CORPORATION. ALL RIGHTS RESERVED.

LOC	DIST	REVISIONS			
J	-	変更			
P	LTR	DESCRIPTION	DATE	DWN	APVD



15極 プラグハウジングの場合
 15POS PLUG HOUSING

コネクタ外觀形状
 CONNECTOR APPEARANCE

製品番号 PART NUMBER	極数 POS N	色 COLOR	寸法表 DIMENSION		
			A	B	2.5X(N-1)=C
OBSOLETE 1318989-1	2	NATURAL	#	#	#
1318990-1	3	NATURAL	#	#	#
OBSOLETE 1318990-2	3	RED	#	#	#
1318991-1	4	NATURAL	11.1	12.5	2.5X(4-1)=7.5
1318992-1	5	NATURAL	13.6	15.0	2.5X(5-1)=10.0
OBSOLETE 1318992-2	5	RED	13.6	15.0	2.5X(5-1)=10.0
1318993-1	6	NATURAL	16.1	17.5	2.5X(6-1)=12.5
1318993-4	6	YELLOW	16.1	17.5	2.5X(6-1)=12.5
1318993-9	6	BLACK	16.1	17.5	2.5X(6-1)=12.5
1318994-1	7	NATURAL	18.6	20.0	2.5X(7-1)=15.0
1318994-2	7	RED	18.6	20.0	2.5X(7-1)=15.0

製品番号 PART NUMBER	極数 POS N	色 COLOR	寸法表 DIMENSION		
			A	B	2.5X(N-1)=C
OBSOLETE 1318995-1	8	NATURAL	21.1	22.5	2.5X(8-1)=17.5
OBSOLETE 1318996-1	9	NATURAL	23.6	25.0	2.5X(9-1)=20.0
1318996-2	9	RED	23.6	25.0	2.5X(9-1)=20.0
1318996-4	9	YELLOW	23.6	25.0	2.5X(9-1)=20.0
OBSOLETE 1318997-1	10	NATURAL	26.1	27.5	2.5X(10-1)=22.5
1318998-1	11	NATURAL	28.6	30.0	2.5X(11-1)=25.0
1318998-2	11	RED	28.6	30.0	2.5X(11-1)=25.0
1318999-1	12	NATURAL	31.1	32.5	2.5X(12-1)=27.5
1318999-2	12	RED	31.1	32.5	2.5X(12-1)=27.5
1376000-1	13	NATURAL	33.6	35.0	2.5X(13-1)=30.0
1376000-2	13	RED	33.6	35.0	2.5X(13-1)=30.0
1376001-1	15	NATURAL	#	#	#
1376001-9	15	BLACK	#	#	#

THIS DRAWING IS A CONTROLLED DOCUMENT.

DIMENSIONS: 単位: 耗 MM	TOLERANCES UNLESS OTHERWISE SPECIFIED: 一般公差 10 ≥ , ± 0.2 30 ≥ 10 , ± 0.25 100 ≥ 30 , ± 0.3 ANGLE : ± 0.3°	DWN CHK APVD PRODUCT SPEC 製品規格 APPLICATION SPEC 取付通用規格 WEIGHT	TE Connectivity NAME 名称 2.5mm シグナルダブルロック 2極 プラグハウジング (ガラス強化品) 2.5mm SIGNAL DBL-LOCK 2P PLUG HSG (GLASS FILLED)	
MATERIAL 材料	FINISH 仕上	CUSTOMER DRAWING	SIZE A3	CAGE CODE 00779
			DRAWING NO 番号 C-1318989	RESTRICTED TO -
			SCALE 尺度 2:1	SHEET 2 OF 2
				REV B1